

**diferro**<sup>®</sup>  
Calenders

## ABOUT US

---

Diferro revealed itself first in 1985 under the name "SECKIN UTU" which provided its customers with transfer presses, steam boilers and flat irons.

Later on in 2009 It went through a transformation and branded Diferro as known worldwide, in order to bring innovation and efficiency to textile production stage with professional and user-friendly machines.

Having built a reputation based on trust, high quality and on-time delivery Diferro proudly displays its models both in international exhibitions world-wide and domestic exhibitions.

While our CE & ISO 9001 certified products ensure high quality as well as environmental safety, Diferro exports to dozens of countries with a wide range of transfer printing machines.

Our organization takes pride in its crew as it combines dynamism, experience and energy under one roof.

Ever since it was first founded, Diferro continues to grow exponentially, Currently leading the domestic market with state of the art technology transfer printing machines while aiming to become one of the top brands in the world and secure its position with increasing number of exclusive distributors from all over world.

---

**diferro**<sup>®</sup>  
Calenders

## Calender Series

---

<b>MP SERIES</b> Piece & Roll to Roll Transfer Printing Machine	08-13
<b>MM SERIES</b> Roll to Roll Transfer Printing Machine	14-18
<b>DP SERIES</b> Piece & Roll to Roll Transfer Printing Machine	20-24
<b>DM SERIES</b> Roll to Roll Transfer Printing Machine	26-31
<b>DR SERIES</b> Ribbon Transfer Printing Machine	32-37
<b>DX SERIES</b> Fabric Dye Fixation Machine	38-41
<b>DL SERIES</b> Piece & Roll to Roll Transfer Printing Machine	42-45

## Heat Press Series

---

<b>COBRA SERIES</b> Cobra Type Heat Press	50-51
<b>DYNAMIC SERIES</b> Dynamic Type Heat Press	52-53
<b>PUFFY SERIES</b> Puffy Type Embossing Heat Press	54-55
<b>TRAY SERIES</b> Tray Type Heat Press	56-57

## ► WHY DIFERRO ?

Evaluating ourselves according to the feedbacks that you have given us and with this perception, we are seeking your synergy. So, producing not excuse but solutions. We are all aware that the mission we embarked upon is more complex and difficult than expected. We are focusing more on solution, instead of trying to find excuses, to problems that we encountered.



We are world's leading company in on time delivery.



% 15 annual growth carries us to the top step by step.



We manufacture an estimated number of 130 calender presses and 220 press machines every single year.



We provide customized solutions for all sorts of bussinesses.

## ► OUR VISION

To make sure our trade is beneficial to customers' and country's economical structure both with our designs and applications.

To improve our share in the international market.

To provide increased production rate and low cost & low energy consuming machines.

To plan and apply necessary actions in order to fulfill our objective of high productivity.

To become one of the pioneer establishments in the industry with our "Satisfied customers at all times" attitude.

To plan the production stage meticulously in order to ensure perfecty timed delivery.

## ▶ QUALITY POLICY

According to vision of Diferro Calenders, we develop and manufacture reliable products by using the supreme technology and provide after-sales services. Diferro Calenders quality policy is based on 'customer satisfaction'. Main purpose of the company is to provide products and projects according to company's international standards, technical conditions and customer demands. To keep the customer satisfaction lasting, assessment and evaluation of customers' demands are being shared with our employees.

'Happiness of employees' is the most important condition to ensure customer satisfaction in Diferro Calenders. Decisions are taken as per basis of 'participation' and taking the opinions of related employees. Our target is to create a working environment which makes employees happy and proud. Responsibility is individual but we encourage teamwork and the success of team is more important than individual success. In light of all; every single employee, who works under the roof of Diferro Calenders, acknowledges that Diferro Calenders quality, which is the most valuable thing we can offer to our customers, with our motto 'to be one step ahead'.



## SUPPLIERS
















CA  
LENDER  
SERIES



# MP SERIES

Piece & Roll to Roll Transfer Printing Machine

## ▶ PRODUCT INFORMATION

Our latest "MP" series has been created for small to medium size businesses that are keen to produce more of their own products inhouse and minimise the need to outsource. Whilst mainly used for textile transfer printing, the MP Series can also be used for other heat transfer applications.

## ▶ OPERATION TYPES

- Digital Paper Rolls to Pieces of Fabric
- Digital Paper Rolls to Rolls of Fabric
- Digital Paper Pieces to Pieces of Fabric

## ▶ OTHER SCOPES OF USE

- Film Lamination
- Serigraphy Transfer Printing
- Offset Printing
- Stone Printing
- Flock Transfer





## THE DRUM

The drum is made of ST44 drawn steel pipe and all standard models are finished with surface grinding. On request the drum surface can also be plated with either chrome or Teflon. Inside the drum is one single heating unit that consists of three pieces. The drum is filled with transfer heating oil that fills up 60% of the inner volume. The failsafe-switch mechanism helps balance the inner pressure, and will deactivate the machine should there be any issues regarding the gasses generated by heated oil so to avoid injury or damage. The heat sensor is placed on the surface of the drum, this enables more accurate readings and provides better print results. Maximum Working Temperature and Temperature Restrictions can be easily adjusted via the Touch-Screen Panel.



## THE FELT BELT

All of our machines are equipped with 100% Nomex seamless industrial felt belts that are reinforced with Kevlar material in order to avoid stretching. The expected lifetime for the belt on this unit is between 3 & 5 years depending on use. In order to eliminate movement of the felt belt to either side the machine is built with an automated-felt centering mechanism. The felt tension and the felt centering system are both air-operated (Pneumatic). Should the compressor fail to supply the required air for the system, the machine halts and alerts the operator to prevent lasting damage to the belt.



### TOUCH-SCREEN PANEL

- General control of the machine such as speed, temperature etc.
- Metre Counter
- Weekly Programming
- Auto- Cooling
- Touch-screen to Access various functions



### MATERIAL INPUT / OUTPUT CONTROLS

#### Protection Paper

**Input** : Manually Adjusted Brake System

**Output** : Manually Adjusted Automatic Rewind

#### Digital Paper

**Input** : Manually Adjusted Brake System

**Output** : Manually Adjusted Automatic Rewind

#### Roll Fabric

**Input** : Manually Adjusted Fabric Tension System

**Output** : Manually Adjusted Automatic Rewind

#### Piece Fabric

**Input** : Manually laid on table.

**Output** : Off the protection paper



► TECHNICAL SPECIFICATIONS

Heating System	: Heat Transfer Oil
Max.Temperature	: 220°
Average Heating Time	: 60 - 80 min.
Average Cooling Time	: 150 min.
Power Supply	: 380 V – 3 Ph 50/60 Hz
Air Intake (bar)	: Min. 5 – Max. 8
Electrical System	: PLC Control
Felt Tension System	: Pneumatic
Felt Control System	: Automatic
Drive Speed Control	: AC Inverter
Paper Un-wind Re-wind	: Compressed Shaft
Weekly Programming	: Yes
Automatic Shut-Down	: Yes
Safety	: 4 Emergency Buttons – Safety Wire
Software Language	: English (Optional)
Warranty	: 2 years Mechanical, 1 year Electrical (User Fault Exempted)

► OPTIONAL ACCESSORIES

- 1 Static Electricity Preventing Wire
- 5 Air-Shaft
- 2 Glass Table and Lightening
- 6 Chrome or Teflon Plated Drum
- 3 Ventilation Hood
- 7 UPS Power Supply
- 4 Remote Access Module



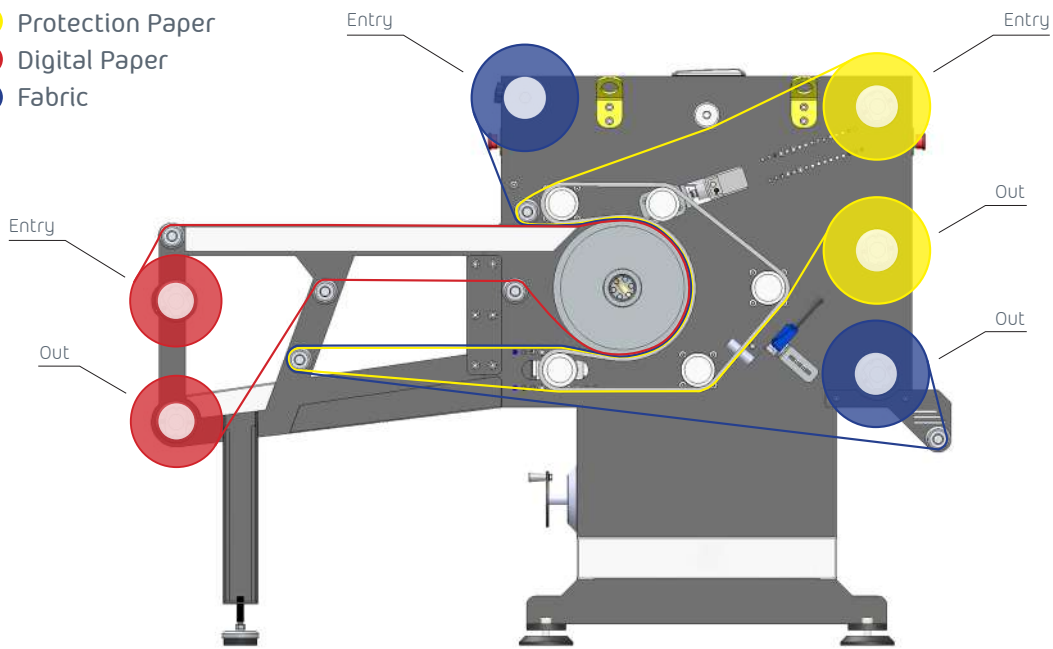
► NUMERIC VALUES

MP SERIES																	
Machine	Drum Diameter		Drum Width		Maximum Working Width	Working Data			Maximum Current Input	Total Power	Average Energy Consumption	Drum Resistance Power	Drum Engine Power	Dimensions (Footprint with Table)	Net Weight	Dimensions of the Shipping Crate	
	Code	mm	inch	mm		inch	mm	m/min								m/hour	m <sup>2</sup> /hour
MP-13B320C	320	12.6"	1300	51.2"	1200	2.10	126	151	40	15	10	13,5	0,75	220x180x130	750	245x130x155	825
MP-17B320C			1700	66.9"	1600	2.10	126	202	53	20	13	18,5	0,75	260x180x130	1100	285x130x155	1210
MP-19B320C			1900	74.8"	1800	2.10	126	227	66	25	16	23,5	0,75	280x180x130	1320	305x130x155	1450
MP-22B320C			2200	85.6"	2100	2.10	126	265	79	30	20	28,5	1,10	310x180x130	1540	335x130x155	1695

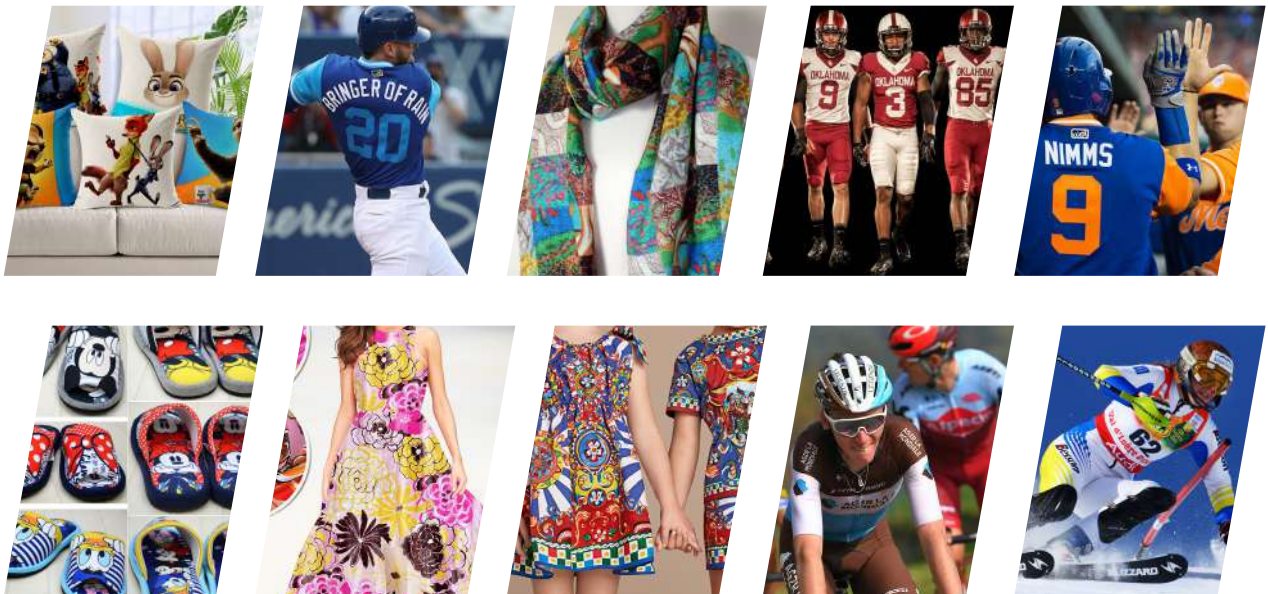


► SUBLIMATION PROCESS

- Protection Paper
- Digital Paper
- Fabric



► SCOPE OF APPLICATION





# MM SERIES

## Roll to Roll Transfer Printing Machine

### PRODUCT INFORMATION

Our "MM" Series target small-scale textile companies that work with fabric rolls and obliged to work with less capital and less production costs. Although it is mainly for roll to roll printing experience, it can also be used for other heat transfer operations.

### OPERATION TYPES

- Digital Paper Rolls to Rolls of Fabric

### OTHER SCOPES OF USE

- Film Lamination
- Serigraphy Transfer Printing
- Flock Transfer



## THE DRUM

The drum is made of ST44 drawn steel pipe and all standard models are finished with surface grinding. On request the drum surface can also be plated with either chrome or Teflon. Inside the drum is one single heating unit that consists of three pieces. The drum is filled with transfer heating oil that fills up 60% of the inner volume. The failsafe-switch mechanism helps balance the inner pressure, and will deactivate the machine should there be any issues regarding the gasses generated by heated oil so to avoid injury or damage. The heat sensor is placed on the surface of the drum, this enables more accurate readings and provides better print results. Maximum Working Temperature and Temperature Restrictions can be easily adjusted via the Touch-Screen Panel.



MM

## THE FELT BELT

All of our machines are equipped with 100% Nomex seamless industrial felt belts that are reinforced with Kevlar material in order to avoid stretching. The expected lifetime for the belt on this unit is between 3 & 5 years depending on use. In order to eliminate movement of the felt belt to either side the machine is built with an automated-felt centering mechanism. The felt tension and the felt centering system are both air-operated (Pneumatic). Should the compressor fail to supply the required air for the system, the machine halts and alerts the operator to prevent lasting damage to the belt.



### TOUCH-SCREEN PANEL

- General control of the machine such as speed, temperature etc.
- Meter Counter
- Weekly Programming
- Auto- Cooling
- Touch-screen to Access various functions



### MATERIAL INPUT / OUTPUT CONTROLS

#### Protection Paper

**Input** : Pneumatic Brake System

**Output** : Manually Adjusted Automatic Rewind

#### Digital Paper

**Input** : Pneumatic Brake System

**Output** : Manually Adjusted Automatic Rewind

#### Roll Fabric

**Input** : Manually Adjusted Fabric Tension System

**Output** : Potency Controlled Double Roll Rewind





## ► TECHNICAL SPECIFICATIONS

Heating System	: Heat Transfer Oil
Max. Temperature	: 220°
Average Heating Time	: 60 - 80 min.
Average Cooling Time	: 150 min.
Power Supply	: 380 V – 3 Ph 50/60 Hz
Air Intake (bar)	: Min. 5 – Max. 8
Electrical System	: PLC Control
Felt Tension System	: Pneumatic
Felt Control System	: Automatic
Drive Speed Control	: AC Inverter
Paper Un-wind Re-wind	: Compressed Shaft
Weekly Programming	: Yes
Automatic Shut-Down	: Yes
Safety	: 4 Emergency Buttons – Safety Wire
Software Language	: English (Optional)
Warranty	: 2 years Mechanical, 1 year Electrical (User Fault Exempted)

## ► OPTIONAL ACCESSORIES

- |                                    |                                 |
|------------------------------------|---------------------------------|
| 1 Fabric Straightener Rod          | 6 Air-Shaft                     |
| 2 Static Preventing Wire           | 7 Chrome or Teflon Plated Drum  |
| 3 Ventilation Hood                 | 8 UPS Power Supply              |
| 4 Remote Access Module             | 9 Additional Digital Paper Roll |
| 5 External Roll Fabric Rewind Unit |                                 |



► NUMERIC VALUES

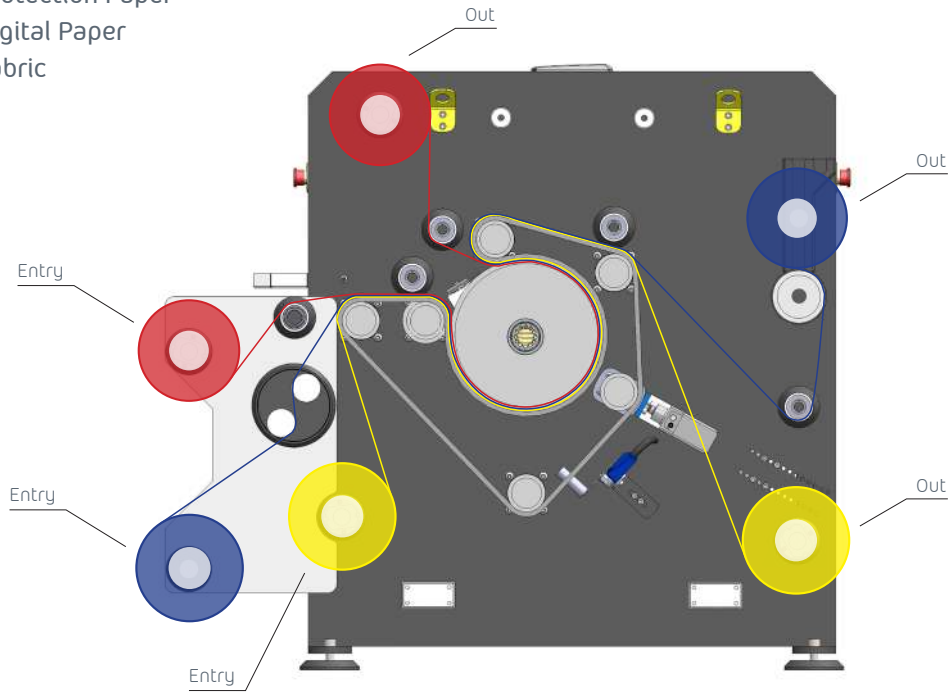
MM SERIES

Machine	Drum Diameter		Drum Width		Maximum Working Width		Working Data			Maximum Current Input	Total Power	Average Energy Consumption	Drum Resistance Power	Drum Engine Power	Dimensions (Footprint with Table)	Net Weight	Dimensions of the Shipping Crate	
	Code	mm	inch	mm	inch	mm	m/min	m/hour	m2/hour	Amp.	Kw	Kw	Kw	Kw	Cm	Kg	Cm	Kg
MM-17B320C	320	12.6"	1700	66.9"	1600	4	240	384	53	20	13	18,5	0,75	265x140x125	1250	290x165x150	1380	
MM-19B320C			1900	74.8"	1800	4	240	432	66	25	16,25	23,5	0,75	285x140x125	1500	310x165x150	1650	
MM-22B320C			2200	85.6"	2100	4	240	504	79	30	19,5	28,5	1,1	315x140x125	1780	340x165x150	1960	
MM-26B320C			2600	102.3"	2500	4	240	600	95	36	24	35	1,1	355x140x125	2820	380x165x150	3100	
MM-33B320C			3300	129.9"	3200	4	240	768	124	47	30	45	1,5	425x140x125	3440	450x165x150	3790	



## ► SUBLIMATION PROCESS

- Protection Paper
- Digital Paper
- Fabric



## ► SCOPE OF APPLICATION





# DP SERIES

## Piece & Roll to Roll Transfer Printing Machine

### ▶ PRODUCT INFORMATION

Our latest "DP" Series has evolved and includes many unique new features. We have created a truly cost-effective machine that is built to last, offers multiple configuration choices and the performance required for an efficient high-speed print finishing experience. Whilst mainly used for textile transfer printing, the DP Series can also be used for other heat transfer applications

### ▶ OPERATION TYPES

- Digital Paper Rolls to Pieces of Fabric
- Digital Paper Rolls to Rolls of Fabric
- Digital Paper Pieces to Pieces of Fabric

### ▶ OTHER SCOPES OF USE

- Film Lamination
- Serigraphy Transfer Printing
- Offset Printing
- Stone Printing
- Flock Transfer



## THE DRUM

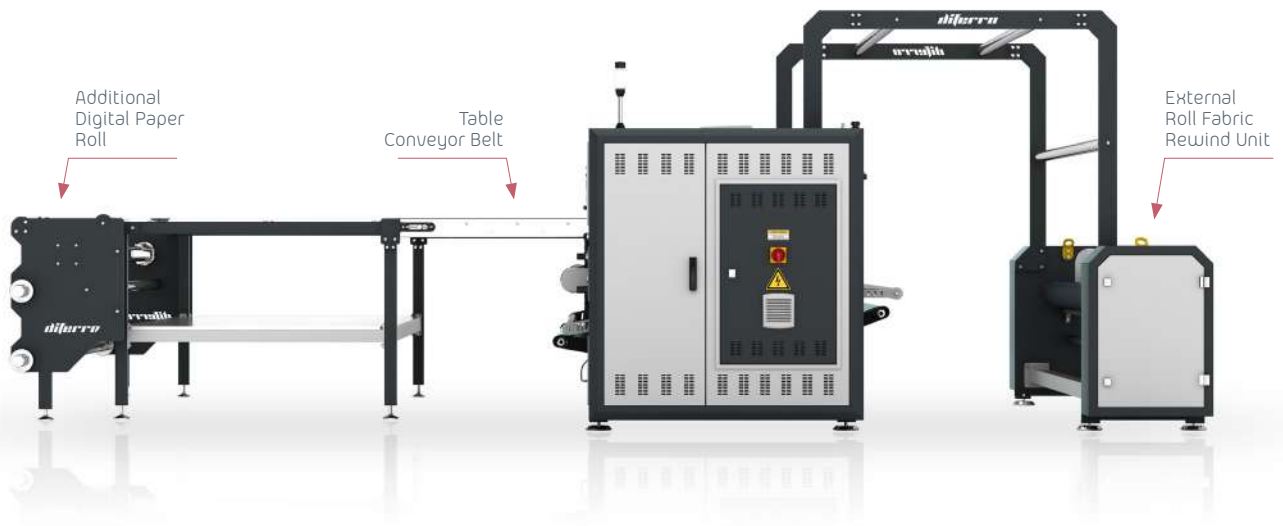
The drum is made of ST44 drawn steel pipe and all standard models are finished with surface grinding. On request the drum surface can also be plated with either chrome or Teflon. Inside the drum is one single heating unit that consists of three pieces. The drum is filled with transfer heating oil that fills up 60% of the inner volume. The failsafe-switch mechanism helps balance the inner pressure, and will deactivate the machine should there be any issues regarding the gasses generated by heated oil so to avoid injury or damage. The heat sensor is placed on the surface of the drum, this enables more accurate readings and provides better print results. Maximum Working Temperature and Temperature Restrictions can be easily adjusted via the Touch-Screen Panel.



DP

## THE FELT BELT

All of our machines are equipped with 100% Nomex seamless industrial felt belts that are reinforced with Kevlar material in order to avoid stretching. The expected lifetime for the belt on this unit is between 3 & 5 years depending on use. In order to eliminate movement of the felt belt to either side the machine is built with an automated-felt centering mechanism. The felt tension and the felt centering system are both air-operated (Pneumatic). Should the compressor fail to supply the required air for the system, the machine halts and alerts the operator to prevent lasting damage to the belt.



## TOUCH-SCREEN PANEL

- General control of the machine such as speed, temperature etc.
- Metre Counter
- Weekly Programming
- Auto- Cooling
- Touch-screen to Access various functions



## MATERIAL INPUT / OUTPUT CONTROLS

### Protection Paper

**Input** : Pneumatic Brake System

**Output** : Manually Adjusted Automatic Rewind

### Digital Paper

**Input** : Manually Brake System

**Output** : Manually Adjusted Automatic Rewind

### Roll Fabric

**Input** : Manually Adjusted Fabric Tension System

**Output** : Manually Adjusted Automatic Rewind

### Piece Fabric

**Input** : Manually laid on table

**Output** : Potency controlled, off the conveyor belt



DP-33B500C

Fabric Feeding Unit

## ▶ TECHNICAL SPECIFICATIONS

Heating System	: Heat Transfer Oil
Max. Temperature	: 220°
Average Heating Time	: 60 - 80 min.
Average Cooling Time	: 150 min.
Power Supply	: 380 V – 3 Ph 50/60 Hz
Air Intake (bar)	: Min. 5 – Max. 8
Electrical System	: PLC Control
Felt Tension System	: Pneumatic
Felt Control System	: Automatic
Drive Speed Control	: AC Inverter
Paper Un-wind Re-wind	: Compressed Shaft
Weekly Programming	: Yes
Automatic Shut-Down	: Yes
Safety	: 4 Emergency Buttons – Safety Wire
Software Language	: English (Optional)
Warranty	: 2 years Mechanical, 1 year Electrical (User Fault Exempted)

DP

## ▶ OPTIONAL ACCESSORIES

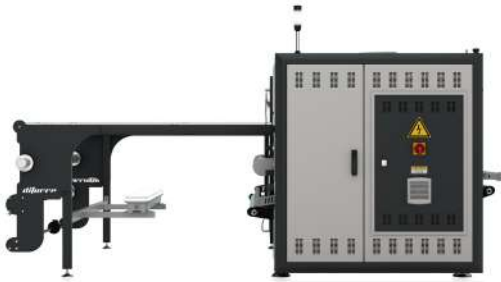
- |                                |                                    |
|--------------------------------|------------------------------------|
| 1 Glass Table and Lightening   | 7 UPS Power Supply                 |
| 2 Static Preventing Wire       | 8 External Roll Fabric Rewind Unit |
| 3 Ventilation Hood             | 9 Additional Digital Paper Roll    |
| 4 Remote Access Module         | 10 Pneumatic Crushing Roll         |
| 5 Air-Shaft                    | 11 Lower Table Smoke Suction       |
| 6 Chrome or Teflon Plated Drum | 12 Conveyor Belt Installation      |



DP-20B600C-COMPACT

▶ NUMERIC VALUES

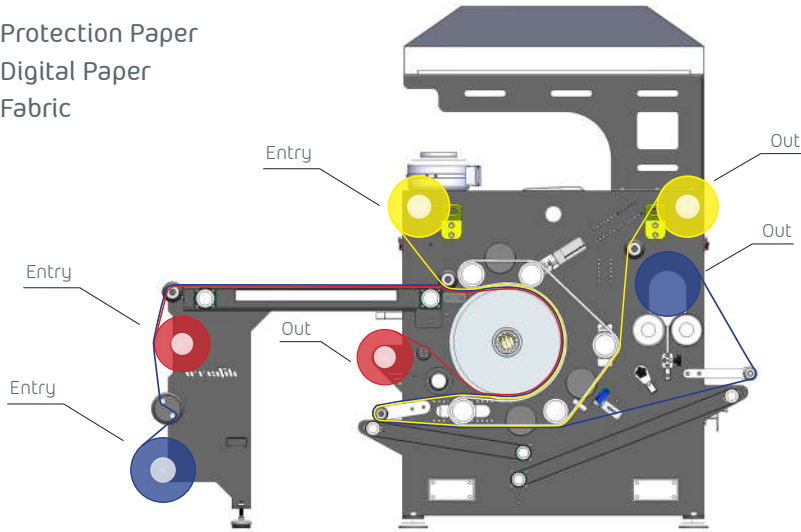
DP SERIES																	
Machine	Drum Diameter		Drum Width		Maximum Working Width		Working Data			Maximum Current Input	Total Power	Average Energy Consumption	Drum Resistance Power	Drum Engine Power	Dimensions (Footprint with Table)	Net Weight	Dimensions of the Shipping Crate
	Code	mm	inch	mm	inch	mm	m/min	m/hour	m <sup>2</sup> /hour	Amp.	Kw	Kw	Kw	Kw	Cm	Kg	Cm
DP-18B500C	500	19.7"	1800	70.9"	1700	3.30	198	356	89,47	34	22,1	31,5	1,5	300x320x150	2250	325x225x200	2480
DP-20B500C			2000	78.7"	1900	3.30	198	396	94,74	36	23,4	33,5	1,5	320x320x150	2500	345x225x200	2750
DP-22B500C			2200	85.6"	2100	3.30	198	436	107,89	41	26,65	38,5	1,5	340x320x150	2750	365x225x200	3000
DP-26B500C			2600	102.3"	2500	3.30	198	515	144,74	55	35,75	53	1,5	380x320x150	3250	405x225x200	3550
DP-33B500C			3300	129.9"	3200	3.30	198	653	200,00	76	49,4	73	2,2	450x320x150	4125	475x225x200	4500
DP-20B600C	600	23.6"	2000	78.7"	1900	4.34	260.4	521	115,79	44	28,6	41,5	1,5	320x330x170	2900	345x235x220	3200
DP-22B600C			2200	85.6"	2100	4.34	260.4	573	118,42	45	29,25	43	1,5	340x330x170	3200	365x235x220	3500
DP-26B600C			2600	102.3"	2500	4.34	260.4	677	173,68	66	42,9	63	2,2	380x330x170	3770	405x235x220	4150
DP-33B600C			3300	129.9"	3200	4.34	260.4	859	226,32	86	55,9	83	2,2	450x330x170	4800	475x235x220	5300
DP-20B800C	800	31.5"	2000	78.7"	1900	5.40	324	648	134,21	51	33,15	48	2,2	320x350x185	3550	345x255x235	3900
DP-22B800C			2200	85.6"	2100	5.40	324	713	147,37	56	36,4	53	2,2	340x350x185	3900	365x255x235	4300
DP-26B800C			2600	102.3"	2500	5.40	324	842	186,84	71	46,15	68	2,2	380x350x185	4620	405x255x235	5100
DP-33B800C			3300	129.9"	3200	5.40	324	1069	231,58	88	57,2	83	4	450x350x185	5850	475x255x235	6400
DP-20B1000C	1000	39.4"	2000	78.7"	1900	6.50	390	780	186,84	71	46,15	68	2,2	320x370x200	4200	345x270x250	4600
DP-22B1000C			2200	85.6"	2100	6.50	390	858	205,26	78	50,7	75	2,2	340x370x200	4630	365x270x250	5000
DP-26B1000C			2600	102.3"	2500	6.50	390	1014	250,00	95	61,75	90	2,2	380x370x200	5450	405x270x250	5950
DP-33B1000C			3300	129.9"	3200	6.50	390	1287	318,42	121	78,65	116	4	450x370x200	6900	475x270x250	7550



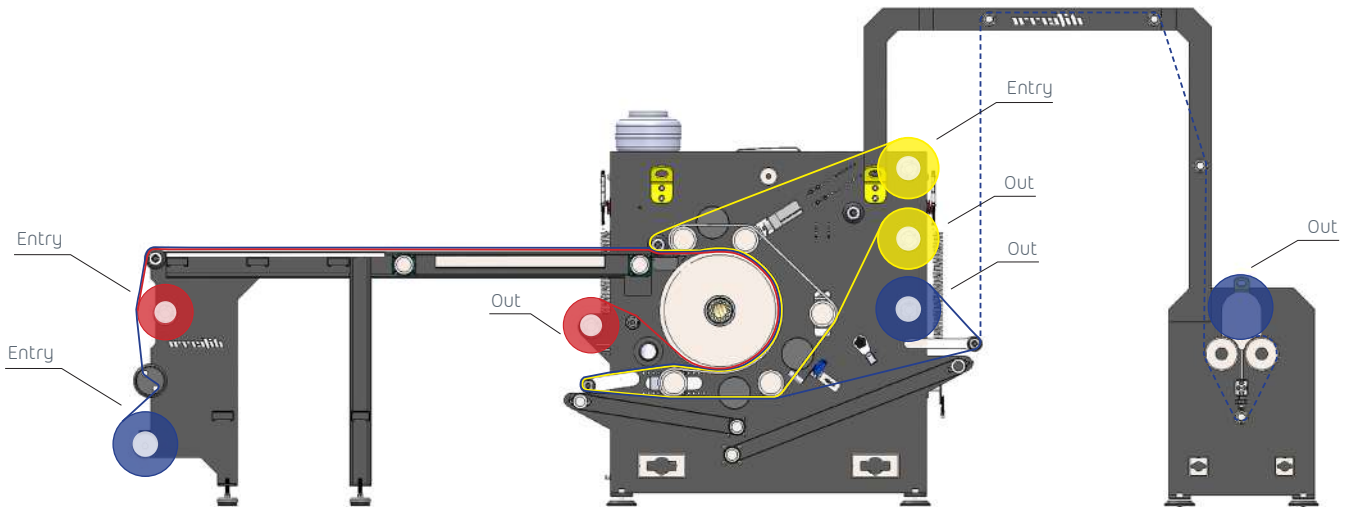


▶ **SUBLIMATION PROCESS**

- Protection Paper
- Digital Paper
- Fabric



DP-20B500C - COMPACT



DP-20B500C

▶ **SCOPE OF APPLICATION**





# DM SERIES

## Roll to Roll Transfer Printing Machine

### PRODUCT INFORMATION

Our latest "DM" Series has evolved and now includes many unique new features. Diferro have created a truly cost effective machine that is not only built to last, but also offers multiple configuration choices and the performance required for an efficient high-speed print finishing experience. Although it is mainly used for textile transfer printing, it can also be used for other heat transfer operations.

### OPERATION TYPES

- Digital Paper Rolls to Rolls of Fabric

### OTHER SCOPES OF USE

- Film Lamination
- Foil Printing



DM-20B600C

## THE DRUM

The drum is made of ST44 drawn steel pipe and all standard models are finished with surface grinding. On request the drum surface can also be plated with either chrome or Teflon. Inside the drum is one single heating unit that consists of three pieces. The drum is filled with transfer heating oil that fills up 60% of the inner volume. The failsafe-switch mechanism helps balance the inner pressure, and will deactivate the machine should there be any issues regarding the gasses generated by heated oil so to avoid injury or damage. The heat sensor is placed on the surface of the drum, this enables more accurate readings and provides better print results. Maximum Working Temperature and Temperature Restrictions can be easily adjusted via the Touch-Screen Panel.



DM

## THE FELT BELT

All of our machines are equipped with 100% Nomex seamless industrial felt belts that are reinforced with Kevlar material in order to avoid stretching. The expected lifetime for the belt on this unit is between 3 & 5 years depending on use. In order to eliminate movement of the felt belt to either side the machine is built with an automated-felt centering mechanism. The felt tension and the felt centering system are both air-operated (Pneumatic). Should the compressor fail to supply the required air for the system, the machine halts and alerts the operator to prevent lasting damage to the belt.



### TOUCH-SCREEN PANEL

- General control of the machine such as speed, temperature etc.
- Meter Counter
- Weekly Programming
- Auto- Cooling
- Touch-screen to Access various functions



### MATERIAL INPUT / OUTPUT CONTROLS

#### Protection Paper

**Input** : Pneumatic Brake System

**Output** : Manually Adjusted Automatic Rewind

#### Digital Paper

**Input** : Pneumatic Brake System

**Output** : Manually Adjusted Automatic Rewind

#### Roll Fabric

**Input** : Manually Adjusted Fabric Tension System

**Output** : Potency Controlled Double Roll Rewind



DM-33B600C

## TECHNICAL SPECIFICATIONS

Heating System	: Heat Transfer Oil
Max. Temperature	: 220°
Average Heating Time	: 60 - 80 min.
Average Cooling Time	: 150 min.
Power Supply	: 380 V – 3 Ph 50/60 Hz
Air Intake (bar)	: Min. 5 – Max. 8
Electrical System	: PLC Control
Felt Tension System	: Pneumatic
Felt Control System	: Automatic
Drive Speed Control	: AC Inverter
Paper Un-wind Re-wind	: Compressed Shaft
Weekly Programming	: Yes
Automatic Shut-Down	: Yes
Safety	: 4 Emergency Buttons – Safety Wire
Software Language	: English (Optional)
Warranty	: 2 years Mechanical, 1 year Electrical (User Fault Exempted)

DM

## OPTIONAL ACCESSORIES

- |                           |                                    |
|---------------------------|------------------------------------|
| 1 Fabric Straightener Rod | 6 External Roll Fabric Rewind Unit |
| 2 Static Preventing Wire  | 7 Additional Digital Paper Roll    |
| 3 Remote Access Module    | 8 Chrome or Teflon Plated Drum     |
| 4 Air-Shaft               | 9 UPS Power Supply                 |
| 5 Pneumatic Crushing Roll | 10 Fabric Laying Unit              |



DM-33B600C

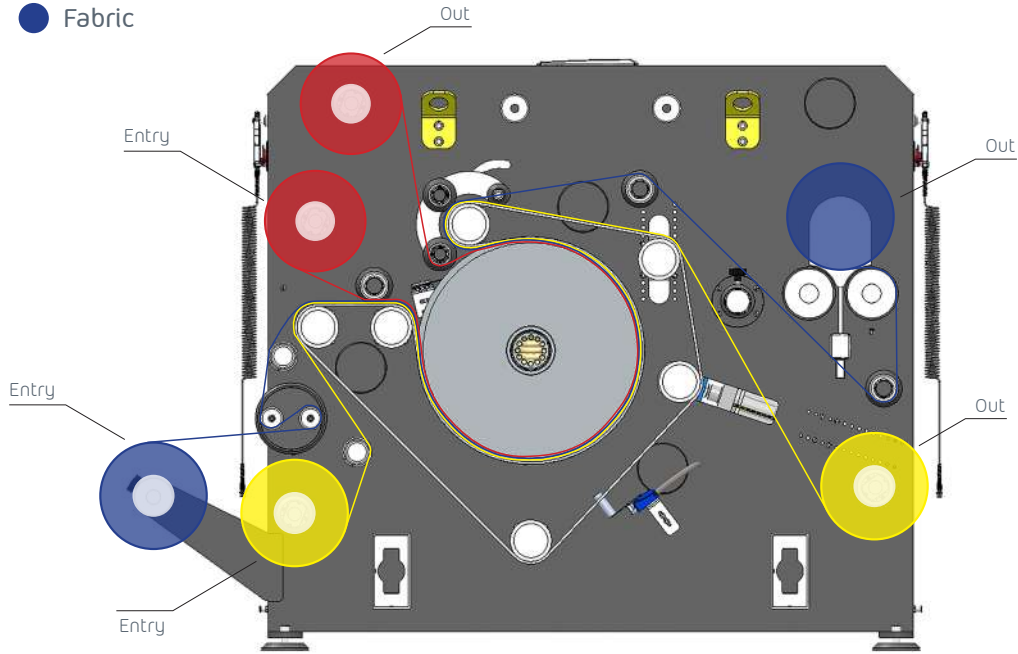
▶ NUMERIC VALUES

DM SERIES																		
Machine	Drum Diameter		Drum Width		Maximum Working Width		Working Data			Maximum Current Input	Total Power	Average Energy Consumption	Drum Resistance Power	Drum Engine Power	Dimensions (Footprint with Table)	Net Weight	Dimensions of the Shipping Crate	
	Code	mm	inch	mm	inch	mm	m/min	m/hour	m <sup>2</sup> /hour	Amp.	Kw	Kw	Kw	Kw	Cm	Kg	Cm	Kg
DM-20B600C	600	23.6"	2000	78.7"	1900	4.34	260.4	521	115,79	44	28,6	41,5	1,5	315x200x155	3050	340x225x190	3355	
DM-22B600C			2200	85.6"	2100	4.34	260.4	573	118,42	45	29,25	43	1,5	335x200x155	3350	360x225x190	3685	
DM-26B600C			2600	102.3"	2500	4.34	260.4	677	173,68	66	42,9	63	2,2	375x200x155	3830	400x225x190	4213	
DM-33B600C			3300	129.9"	3200	4.34	260.4	859	226,32	86	55,9	83	2,2	445x200x155	4950	470x225x190	5445	
DM-20B800C	800	31.5"	2000	78.7"	1900	5.40	324	648	134,21	51	33,15	48	2,2	315x200x170	3700	340x225x205	4070	
DM-22B800C			2200	85.6"	2100	5.40	324	713	147,37	56	36,4	53	2,2	335x200x170	4050	360x225x205	4455	
DM-26B800C			2600	102.3"	2500	5.40	324	842	186,84	71	46,15	68	2,2	375x200x170	4770	400x225x205	5247	
DM-33B800C			3300	129.9"	3200	5.40	324	1069	231,58	88	57,2	83	4	445x200x170	6000	470x225x205	6600	
DM-20B1000C	1000	39.4"	2000	78.7"	1900	6.50	390	780	186,84	71	46,15	68	2,2	315x200x185	4350	340x225x225	4785	
DM-22B1000C			2200	85.6"	2100	6.50	390	858	205,26	78	50,7	75	2,2	335x200x185	4780	360x225x225	5258	
DM-26B1000C			2600	102.3"	2500	6.50	390	1014	250,00	95	61,75	90	2,2	375x200x185	5600	400x225x225	6160	
DM-33B1000C			3300	129.9"	3200	6.50	390	1287	318,42	121	78,65	116	4	445x200x185	7050	470x225x225	7755	



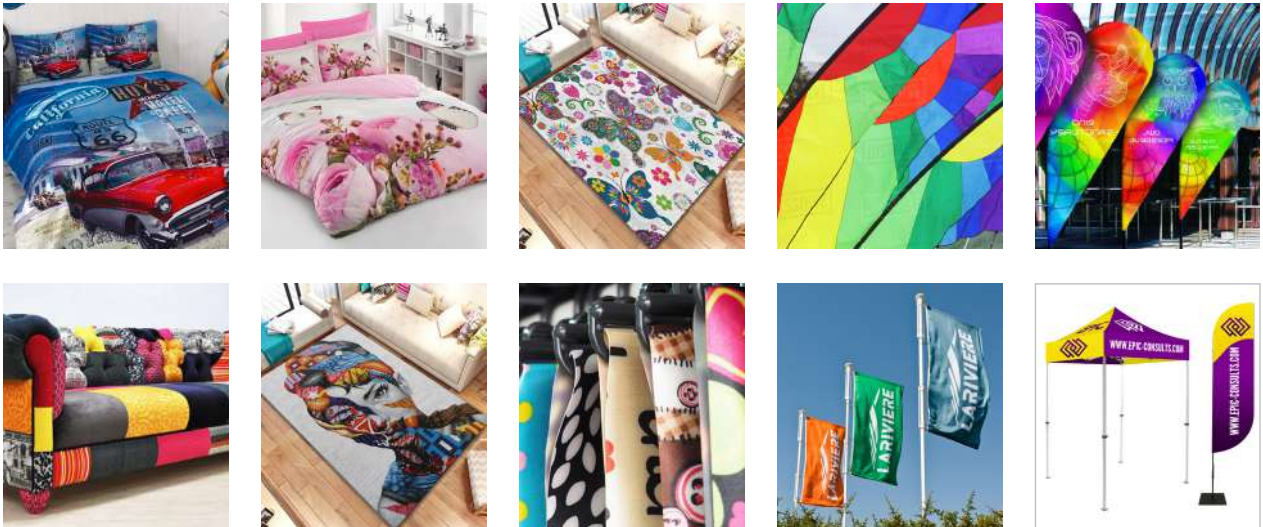
▶ **SUBLIMATION PROCESS**

- Protection Paper
- Digital Paper
- Fabric



DM

▶ **SCOPE OF APPLICATION**





# DR SERIES

## Ribbon Transfer Printing Machine

### PRODUCT INFORMATION

Our latest "DR" Series is the perfect option for the production of ribbons and striped fabrics. Able to produce Impeccable vibrant prints on to rubber, ribbon, grosgrain, belt lining and bed sideband amongst many other narrow tape width materials.

Areas of use include Home Textile, Advertisement Labelling, Under Clothing, Outerwear, Lanyards and multi-use decorative ribbon based applications

### OPERATION TYPES

- Digital Paper Rolls to Rolls of Fabric





### ▶ THE DRUM

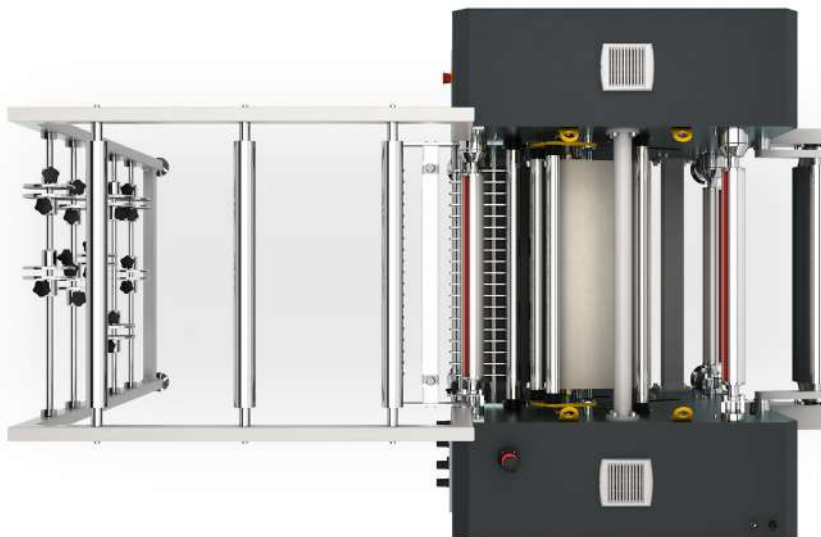
The drum is made of ST44 drawn steel pipe and all standard models are finished with surface grinding. On request the drum surface can also be plated with either chrome or Teflon. Inside the drum is one single heating unit that consists of three pieces. The drum is filled with transfer heating oil that fills up 60% of the inner volume. The failsafe-switch mechanism helps balance the inner pressure, and will deactivate the machine should there be any issues regarding the gasses generated by heated oil so to avoid injury or damage. The heat sensor is placed on the surface of the drum, this enables more accurate readings and provides better print results. Maximum Working Temperature and Temperature Restrictions can be easily adjusted via the Touch-Screen Panel.



DR

### ▶ THE FELT BELT

All of our machines are equipped with 100% Nomex seamless industrial felt belts that are reinforced with Kevlar material in order to avoid stretching. The expected lifetime for the belt on this unit is between 3 & 5 years depending on use. In order to eliminate movement of the felt belt to either side the machine is built with an automated-felt centering mechanism. The felt tension and the felt centering system are both air-operated (Pneumatic). Should the compressor fail to supply the required air for the system, the machine halts and alerts the operator to prevent lasting damage to the belt.



## ▶ TOUCH-SCREEN PANEL

- General control of the machine such as speed, temperature etc.
- Meter Counter
- Weekly Programming
- Auto- Cooling
- Touch-screen to Access various functions

## ▶ KEY FEATURES

- Shadow Preventing Paper Separator
- Fabric / Paper Scraper



## ▶ MATERIAL INPUT / OUTPUT CONTROLS

### Protection Paper

**Input** : Pneumatic Brake System

**Output** : Manually Adjusted Automatic Rewind

### Digital Paper

**Input** : Pneumatic Brake System

**Output** : Manually Adjusted Automatic Rewind

### Roll Fabric

**Input** : Manually Adjusted Fabric Tension System

**Output** : Potency Controlled Double Roll Rewind

## ▶ TECHNICAL SPECIFICATIONS

Heating System	: Heat Transfer Oil
Max. Temperature	: 220°
Average Heating Time	: 60 - 80 min.
Average Cooling Time	: 150 min.
Power Supply	: 380 V – 3 Ph 50/60 Hz
Air Intake (bar)	: Min. 5 – Max. 8
Electrical System	: PLC Control
Felt Tension System	: Pneumatic
Felt Control System	: Automatic
Drive Speed Control	: AC Inverter
Paper Un-wind Re-wind	: Compressed Shaft
Weekly Programming	: Yes
Automatic Shut-Down	: Yes
Safety	: 4 Emergency Buttons – Safety Wire
Software Language	: English (Optional)
Warranty	: 2 years Mechanical, 1 year Electrical (User Fault Exempted)

DR

## ▶ OPTIONAL ACCESSORIES

- 1 Static Preventing Wire
- 2 Remote Access Module
- 3 Air-Shaft
- 4 Automatic Rear Stripe Distribution
- 5 Chrome or Teflon Plated Drum
- 6 UPS Power Supply

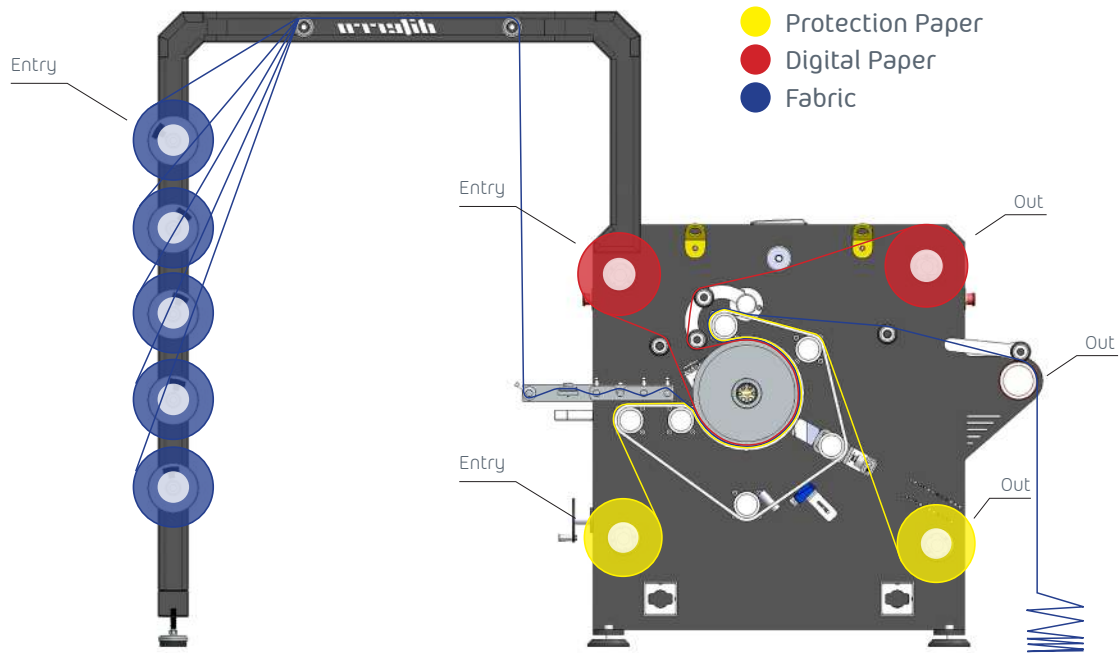


► NUMERIC VALUES

DR SERIES																					
Machine	Drum Diameter		Drum Width		Maximum Working Width		Working Data			Maximum Current Input		Average Energy Consumption		Drum Resistance Power		Dimensions (Footprint with Table)		Net Weight		Dimensions of the Shipping Crate	
	Code	mm	inch	mm	inch	mm	m/min	m/hour	m2/hour	Amp.	Kw	Kw	Kw	Kw	Cm	Kg	Cm	Kg			
DR-05B320C	320	12.6"	500	19.7"	400	4	240	108	17,11	6,5	4,225	5,5	0,75	145x255x185	620	170x185x210	690				
DR-07B320C			700	27.6"	600	4	240	144	23,68	9	5,85	8	0,75	165x255x185	770	190x185x210	850				
DR-05B500C	500	19.7"	500	19.7"	400	6	360	144	28,95	11	7,15	9,5	1,1	145x275x195	970	170x205x225	1070				
DR-07B500C			700	27.6"	600	6	360	216	39,47	15	9,75	13,5	1,5	165x275x195	1150	190x205x225	1280				



► SUBLIMATION PROCESS



DR

► SCOPE OF APPLICATION



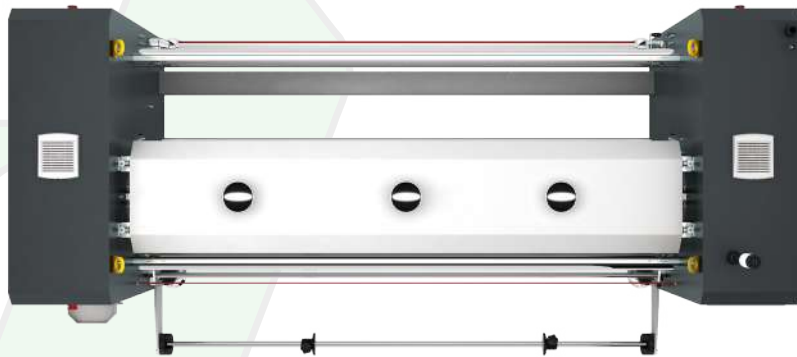


# DX SERIES

## Fabric Dye Fixation Machines

### PRODUCT INFORMATION

Our latest "DX" Series has evolved and includes many unique new features. We have created a truly cost-effective fixation machine that is built to last, offers multiple configuration choices and the performance required for an efficient high-speed print finishing experience. Fixation is required to activate the colouring agents in the dyes and not only improves colour fastness, but also increases the vibrancy and impact of the designs when produced using a Reactive or Cotton Pigment Dye based digital printer. With features such as ironing and wrinkle fixer, the latest "DX" series will complete your finishing in a fast and efficient way



## ▶ THE DRUM

The drum is made of ST44 drawn steel pipe and all standard models are finished with surface grinding. On request the drum surface can also be plated with either chrome or Teflon. Inside the drum is one single heating unit that consists of three pieces. The drum is filled with transfer heating oil that fills up 60% of the inner volume. The failsafe-switch mechanism helps balance the inner pressure, and will deactivate the machine should there be any issues regarding the gasses generated by heated oil so to avoid injury or damage. The heat sensor is placed on the surface of the drum, this enables more accurate readings and provides better print results. Maximum Working Temperature and Temperature Restrictions can be easily adjusted via the Touch-Screen Panel.



## ▶ CONTROL BOARD

- Digitally adjusted Speed and Temp.
- Digital Counter

## ▶ MATERIAL INPUT / OUTPUT CONTROLS

**Roll Fabric**

**Input** : Manually Adjusted Fabric Tension System

**Output** : Potency Controlled Double Roll Rewind

## ▶ OPTIONAL ACCESSORIES

- |  |                                |
|--|--------------------------------|
| 1 Fabric Straightener Rod                          | 5 Air Shaft                    |
| 2 Pneumatic Ventilation Unit                       | 6 Chrome or Teflon plated drum |
| 3 Remote Access Module                             | 7 UPS Power Supply             |
| 4 Pneumatic Shaft System for extra fabric coverage |                                |

**DX**

## TECHNICAL SPECIFICATIONS

Heating System	: Heat Transfer Oil
Max. Temperature	: 220°
Average Heating Time	: 60 - 80 min.
Average Cooling Time	: 150 min.
Power Supply	: 380 V – 3 Ph 50/60 Hz
Air Intake (bar)	: Min. 5 – Max. 8
Electrical System	: Digital Control Unit
Drive Speed Control	: AC Inverter
Paper Un-wind Re-wind	: Compressed Shaft
Weekly Programming	: No
Automatic Shut-Down	: No
Safety	: 4 Emergency Buttons – Safety Wire
Software Language	: English (Optional)
Warranty	: 2 years Mechanical, 1 year Electrical (User Fault Exempted)



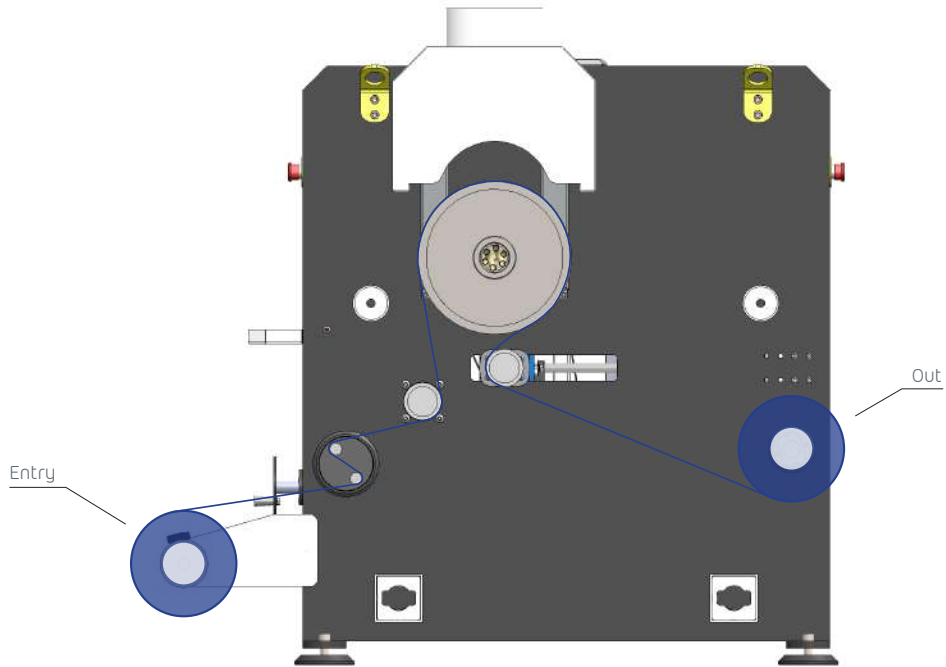
## NUMERIC VALUES

DX SERIES																	
Machine	Drum Diameter		Drum Width		Maximum Working Width	Working Data			Maximum Current Input	Total Power	Average Energy Consumption	Drum Resistance Power	Drum Engine Power	Dimensions (Footprint with Table)	Net Weight	Dimensions of the Shipping Crate	
	Code	mm	inch	mm		inch	mm	m/min								m/hour	m <sup>2</sup> /hour
DX-19B320C	320	12.6"	1900	74.8"	1850	4	240	432	66	25	16,25	23,5	0,75	295x135x125	930	320x135x150	1020
DX-22B320C			2200	85.6"	2150	4	240	504	79	30	19,5	28,5	1,1	325x135x125	1280	350x135x150	1400
DX-26B320C			2600	102.3"	2550	4	240	600	95	36	24	35	1,1	365x135x125	1820	390x135x150	2000
DX-33B320C			3300	129.9"	3250	4	240	768	124	47	30	45	1,5	435x135x125	2150	460x135x150	2350



► FIXATION PROCESS

● Fabric



DX

► SCOPE OF APPLICATION





# DL SERIES

## Piece & Roll to Roll Transfer Printing Machine

### PRODUCT INFORMATION

Our new "DL" series has been created for smaller scale businesses that are keen to produce their own products inhouse and minimise the need to outsource. Whilst mainly used for textile transfer printing, the DL Series can also be used for other heat transfer applications

### OPERATION TYPES

- Digital Paper Rolls to Pieces of Fabric
- Digital Paper Rolls to Rolls of Fabric
- Digital Paper Pieces to Pieces of Fabric

### OTHER SCOPES OF USE

- Film Lamination
- Serigraphy Transfer Printing
- Offset Printing



### THE DRUM

The drum is made of ST44 drawn steel pipe and all standard models are finished with surface grinding. On request the drum surface can also be plated with either chrome or Teflon. Inside the drum is an infrared heating element that operates without the use of any oil. The heat sensor is placed on the surface of the drum, this enables more accurate readings and provides better print results



### THE FELT BELT

All of our machines are equipped with 100% Nomex seamless industrial felt belts that are reinforced with Kevlar material in order to avoid stretching. The expected lifetime for the belt on this unit is between 1 & 4 years depending on use. In order to eliminate movement of the felt belt to either side, the machine is equipped with a shaft and limitation ring which restricts left to right felt movement and doesn't require an air compressor for operation.



### CONTROL PANEL

- Digitally adjusted temp.
- Speed Adjustment
- Warning Light



### MATERIAL INPUT / OUTPUT CONTROLS

#### Protection Paper

**Input** : Manually Brake System

**Output** : Manually Adjustable Automatic Rewind

#### Digital Paper

**Input** : Manually Brake System

**Output** : Manually Adjustable Automatic Rewind

#### Roll Fabric

**Input** : Manually Adjusted Fabric Tension System

**Output** : Manually Adjustable Automatic Rewind

#### Piece Fabric

**Input** : Manual, On table

**Output** : Pot. controlled, off the protection paper

## ► TECHNICAL SPECIFICATIONS

Heating System	: Infrared
Max. Temperature	: 220°
Average Heating Time	: 35 min.
Average Cooling Time	: 50 min.
Power Supply	: 220 V – 1 Ph 50/60 Hz
Air Intake (bar)	: Min. 5 – Max. 8
Electrical System	: Automatic Control System
Felt Tension System	: Manual
Felt Control System	: Manual
Drive Speed Control	: AC Inverter
Paper Un-wind Re-wind	: Compressed Shaft
Weekly Programming	: No
Automatic Shut-Down	: Yes
Safety	: 2 Emergency Buttons – Safety Wire
Software Language	: English (Optional)
Warranty	: 2 years Mechanical, 1 year Electrical (User Fault Exempted)



## ► OPTIONAL ACCESSORIES

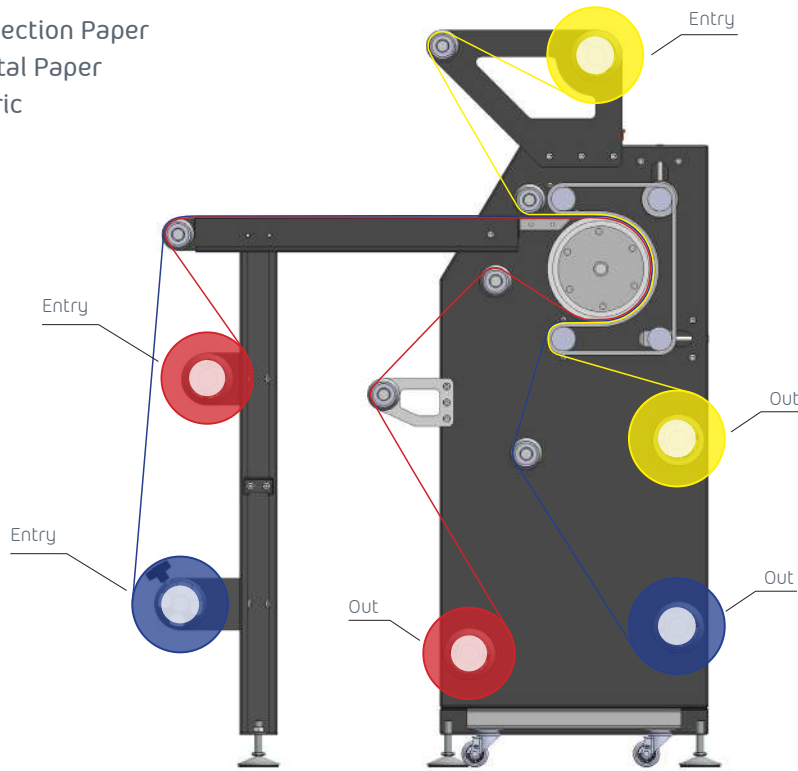
- 1 Chrome or Teflon Plated Drum
- 3 Air-Shaft
- 5 Omron PLC
- 2 Remote Access Ethernet Point
- 4 UPS Power Supply

## ► NUMERIC VALUES

DL SERIES																	
Machine	Drum Diameter		Drum Width		Maximum Working Width	Working Data			Maximum Current Input	Total Power	Average Energy Consumption	Drum Resistance Power	Drum Engine Power	Dimensions (Footprint with Table)	Net Weight	Dimensions of the Shipping Crate	
	Code	mm	inch	mm		inch	mm	m/min								m/hour	m <sup>2</sup> /hour
DL-13B200C	200	7.8"	1300	51.2"	1200	1.20	72	86	3	4,5	3	4,0	0,55	187x100x138	250	205x115x162	275
DL-17B320C			1700	66.9"	1600	1.20	72	115	5	7	5	6,0	0,75				

► SUBLIMATION PROCESS

- Protection Paper
- Digital Paper
- Fabric



► SCOPE OF APPLICATION



DL

**MP SERIES**



MP-17B320C

**DR SERIES**



DR-05B320C

**MM SERIES**



MM-19B320C



MM-33B320C

**DP SERIES**



DP-18B500C



DP-20B600C COMPACT

**DX SERIES**



DX-20B320C

**DL SERIES**



DL-13B200C

**DM SERIES**



DM-20B600C



DM-33B600C



DM-24B1000C

**DP SERIES**



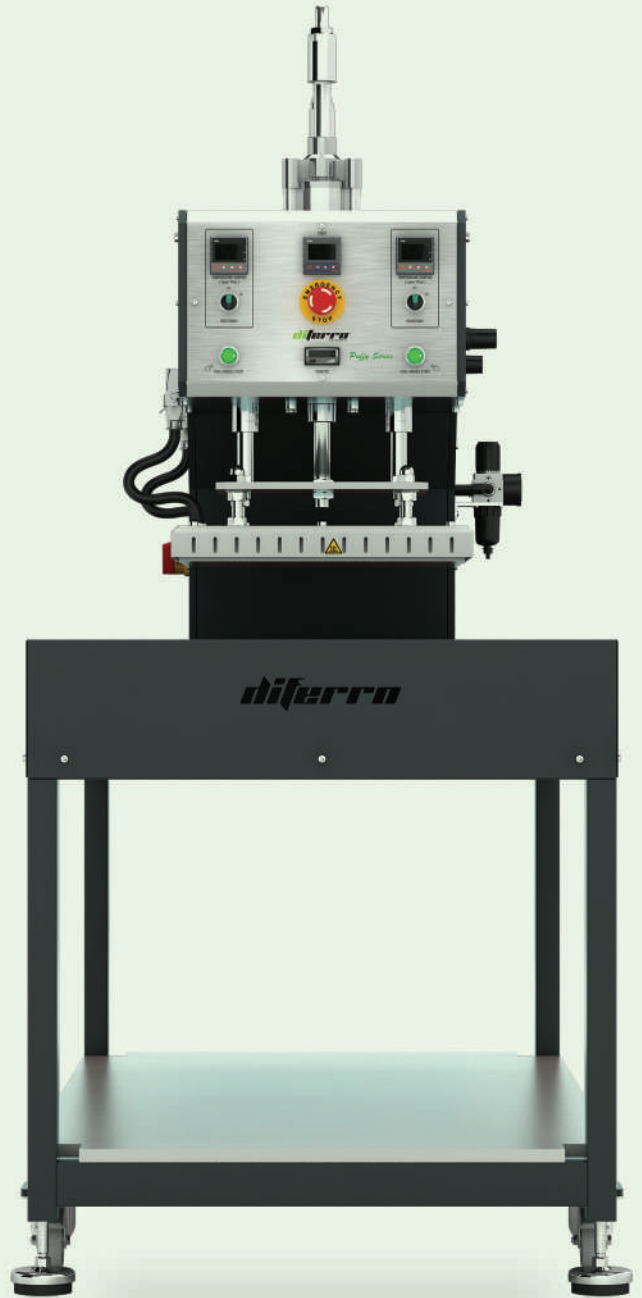
DP-20B500C



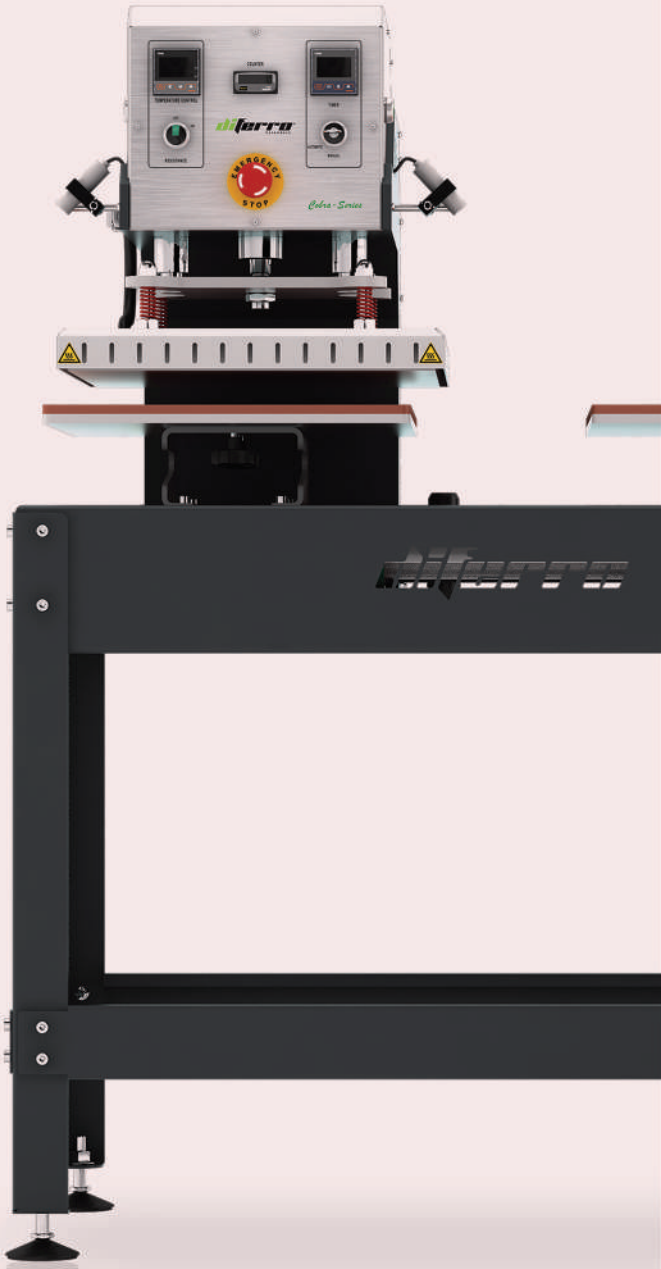
DP-20B1000C



DP-33B500C







# PRESS SERIES

# COBRA SERIES

## Cobra Type Heat Press

### PRODUCT INFORMATION

Our "COBRA" press machines, with excellent heat distribution, provide an impeccable performance in your bussiness. Left and Right movement is enabled by a motor supported with a rack and pinion gear. Flawless design requires less amount of air hence the air compressor. Featuring two plates saves substantial amount of time. Plates are easy to detach and replaceable with plates in other dimensions. High pressure is mechanized by pneumatic system with adjustable print pressure. You can prepare your second plate for sublimation while other plate is busy doing printing. Manual / Automatic module enables two different run modes. High precision in heat control is provided with a digital thermostat. You can adjust the amount of time that pressure is applied on fabric for with a digital timer. Cobra series are also equipped with a digital counter that allows you to keep track of the number of finished products. Plates are positioned in working height standards. If required, detachable feet allows you to perform on a table or counter. Cobra Series press machines comply with CE safety standards.



### OPERATION TYPES

- Piece Digital Paper to Piece Fabric
- Piece Digital Paper to Sewn Clothes
- Piece Digital Paper to Hard Surfaces ( Wood, Glass)

### OTHER SCOPES OF USE

- Stone Print
- Flock Print
- Foil Print
- Vinyl Print
- Serigraphy Print
- Offset Print

### OPTIONAL ACCESSORIES

1 Teflon plated upper chin

2 Laser marking feature

3 Internal Steam Unit

4 Customized

5 Lower Plate Heating

6 Steam Unit

7 Paddle

► **TECHNICAL SPECIFICATIONS**

Heating System	: Heating Coil
Max. Temperature	: 230c°
Average Heating Time	: 20 min.
Power Supply	: AC 220V – 1Ph 50/60 Hz.
Air Intake	: Min.6 – Max.10
Applied Pressure	: 600g/cm <sup>2</sup> – 10 bar g/cm <sup>2</sup>
System Type	: Pneumatic
Electrical System	: AC Invertor
Safety	: Emergency button
Warranty	: 2 years (User Fault Exempted)



► **NUMERIC VALUES**

COBRA SERIES											
Machine	Plane Diameter		Maximum Current Input	Total Power	Average Energy Consumption	Resistance Power	Engine Power	Dimensions	Net Weight	Dimensions of the Shipping Crate	
Code	Cm	inch	Amp.	Kw	Kw	Kw	Kw	Cm	Kg	Cm	Kg
COBRA4050	40x50	15.7" x 19.7"	13.5	3	2	2,5	0.25	106x062x137	137	120x077x095	151
COBRA5070	50x70	19.7" x 27.5"	23	5	3	4,5	0,25	132x075x137	225	150x095x100	250

► **SCOPE OF APPLICATION**



COBRA

# DYNAMIC SERIES

## Dynamic Type Heat Press

### PRODUCT INFORMATION

Diferro "Dynamic" press machines provide excellent heat distribution and offer dependable performance within your business. Left and Right movement is enabled by a timing belt pulley and the flawless design requires a reduced amount of compressed air during operation. Our two-plate system increases output and reduces production time, furthermore the plates are easy to detach and replaceable with a variety of alternative plate dimensions. Preparation of one plate for sublimation is possible whilst the other plate is busy pressing. The Dynamic series are equipped with 3 different digital thermostats to maintain stable temperature control, additionally both time and the high pneumatic pressure are also adjustable digitally enabling precise control for all applications. Dynamic Series are also equipped with digital counters that keep track of production volumes and work rate. Plates are positioned in working height standards. Dynamic Series press machines comply with CE safety standards.



### OPERATION TYPES

- Digital Paper Pieces to Pieces of Fabric
- Digital Paper Pieces to Hard Surfaces (Wood, Glass, Metal)

### OTHER SCOPES OF USE

- Stone Print
- Flock Print
- Foil Print
- Vinyl Print
- Serigraphy Print
- Offset Print

### OPTIONAL ACCESSORIES

1 Central Steam Unit

2 Internal Steam Unit

3 Laser Marking Feature

4 Lower Vacuuming Plate

5 Teflon Plated Upper Chin

## ► TECHNICAL SPECIFICATIONS

Heating System	: Heating Coil
Max. Temperature	: 230c°
Average Heating Time	: 20 min.
Power Supply	: AC 220V – 1Ph 50/60 Hz.
Air Intake	: Min.6 – Max.10
Applied Pressure	: 600g/cm <sup>2</sup> – 10 bar g/cm <sup>2</sup>
System Type	: Pneumatic
Electrical System	: AC Invertor
Safety	: Emergency button
Warranty	: 2 years (User Fault Exempted)



## ► NUMERIC VALUES

DYNAMIC SERIES											
Machine	Plane Diameter		Maximum Current Input	Total Power	Average Energy Consumption	Resistance Power	Engine Power	Dimensions	Net Weight	Dimensions of the Shipping Crate	
Code	Cm	inch	Amp.	Kw	Kw	Kw	Kw	Cm	Kg	Cm	Kg
DYNAMIC80110	80x110	31.5" x 43.3"	40	16	10	15,0	0,37	283x141x143	480	300x160x175	530
DYNAMIC100150	100x150	39.4" x 59"	68	26	17	25,5	0,55	323x161x143	820	345x180x175	900
DYNAMIC150200	150x200	59" x 78.7"	135	51	32	50,0	0,55	373x211x155	1440	380x230x190	1600
DYNAMIC150250	150x250	59" x 98.4"	173	66	42	65,0	0,75	430x220x162	1950	445x235x195	2100

## ► SCOPE OF APPLICATION



DYNAMIC

# PUFFY SERIES

## Puffy Type Embossing Heat Press

### PRODUCT INFORMATION

Our "Puffy" embossing press machines provide excellent heat distribution and offer dependable performance within your business. Our two-plate system increases output and reduces production time, furthermore the plates are easy to detach and replaceable with a variety of alternative plate dimensions. High pressure is mechanized by pneumatic system with adjustable print pressure. Preparation of one plate for sublimation is possible whilst the other plate is busy pressing. The digital thermostat maintains the temperature precisely and you can adjust the amount of time that pressure is applied on fabric for with a digital timer. Puffy series are also equipped with a digital counter that allows you to keep track of the number of finished products. By using the bolts placed on top of the pistons, the applied pressure can be restricted to desired limit. For safety reasons movement of the upper plates is activated by pressing the two buttons with both hands. Plates are positioned in working height standards. Puffy Series press machines comply with CE safety standards.



### OPERATION TYPES

- Fabric Piece to Fabric Piece Embossing
- Digital Paper Pieces to Pieces of Fabric
- Digital Paper Pieces to Hard Surfaces (Wood, Glass, Metal)

### OTHER SCOPES OF USE

- Stone Print
- Flock Print
- Foil Print
- Vinyl Print
- Serigraphy Print
- Offset Print



### OPTIONAL ACCESSORIES

1 Teflon plated upper chin

2 Product Illuminating Unit

3 MDF Shelf

4 Paddle

## ► TECHNICAL SPECIFICATIONS

Heating System	: Heating Coil
Max. Temperature	: 230c°
Average Heating Time	: 20 min.
Power Supply	: AC 380V – 3 Ph 50/60 Hz.
Air Intake	: Min.6 – Max.10
Applied Pressure	: 600g/cm <sup>2</sup> – 10 bar g/cm <sup>2</sup>
System Type	: Pneumatic
Electrical System	: AC Invertor
Safety	: Emergency button
Warranty	: 2 years (User Fault Exempted)

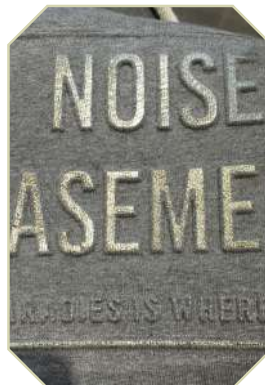


## ► NUMERIC VALUES

### PUFFY SERIES

Machine	Plane Diameter		Maximum Current Input	Total Power	Average Energy Consumption	Resistance Power	Engine Power	Dimensions	Net Weight	Dimensions of the Shipping Crate		
	Code	Cm								inch	Amp.	Kw
PUFFY3030	30x30	11.8"	11.8"	21	8	5	8,0	-	082x161x180	315	100x175x210	350
PUFFY4040	40x40	15.7"	15.7"	29	11	7	11,0	-	082x161x180	355	100x175x210	390

## ► SCOPE OF APPLICATION



PUFFY

# TRAY SERIES

## Tray Type Heat Press

### PRODUCT INFORMATION

Our "Tray" press machines , with excellent heat distribution, provide an impeccable performance in your bussiness. Forward / Backward movement is enabled by a timing belt pulley. Double plate structure saves substantial amount of time. High pressure is mechanized by pneumatic system with adjustable print pressure. Hydraulic system requires no air compressor. You can prepare your second plate for sublimation while other plate is busy doing printing. 3 differet digital thermostats maintain the temperature precisely. You can adjust the amount of time that pressure is applied on fabric for with a digital timer. Dynamici Series are also equipped with a digital counter that allows you to keep track of the number of finished products. Plates are positioned in working height standards. Dynamic Series press machines comply with CE safety standards.



### OPERATION TYPES

- Piece Digital Paper to Piece Fabric
- Piece Digital Paper to Hard Surfaces ( Wood, Glass)

### OTHER SCOPES OF USE

- Stone Print
- Flock Print
- Foil Print
- Vinyl Print
- Serigraphy Print
- Offset Print

### OPTIONAL ACCESSORIES

- 1 Smoke Suction Unit
- 2 Teflon Plated Upper Chin





## ▶ TECHNICAL SPECIFICATIONS

Heating System	: Heating Coil
Max. Temperature	: 230c°
Average Heating Time	: 20 min.
Power Supply	: AC 220V – 1Ph 50/60 Hz.
Air Intake	: Min.6 – Max.10
Applied Pressure	: 600g/cm <sup>2</sup> – 10 bar g/cm <sup>2</sup>
System Type	: Hydraulic
Electrical System	: AC Invertor
Safety	: Emergency button
Warranty	: 2 years (User Fault Exempted)



## ▶ NUMERIC VALUES

### TRAY SERIES

Machine	Plane Diameter		Maximum Current Input	Total Power	Average Energy Consumption	Resistance Power	Engine Power	Dimensions	Net Weight	Dimensions of the Shipping Crate	
	Cm	inch								Amp.	Kw
TRAY100150	100x150	39.4" x 59"	68	26	17	25,5	0,55	200x252x137	950	215x230x170	1050

## ▶ SCOPE OF APPLICATION



TRAY

**COBRA SERIES**



COBRA4050

**DYNAMIC SERIES**



DYNAMIC80110

**PUFFY SERIES**



PUFFY4040-D

**TRAY SERIES**



TRAY100150

***diferro***<sup>®</sup>  
Calenders

WE MANUFACTURE IN TURKEY,  
TRANSFERRING TO THE WORLD.

**diferro**<sup>®</sup>  
Calenders

**Diferro Makina San. ve Tic. Ltd. Şti.**


**A.** Sinpaş İş Modern 2.Kısım B-Blok No:16  
Başakşehir 34490 İstanbul / TURKEY

**P.** +90 212 608 08 08

**F.** +90 212 608 04 40

**E.** info@diferro.com.tr



 [www.diferro.com.tr](http://www.diferro.com.tr)

 [twitter.com/DCalenders](https://twitter.com/DCalenders)

 [facebook.com/diferrocalenders](https://facebook.com/diferrocalenders)

 [instagram.com/diferrocalenders](https://instagram.com/diferrocalenders)