

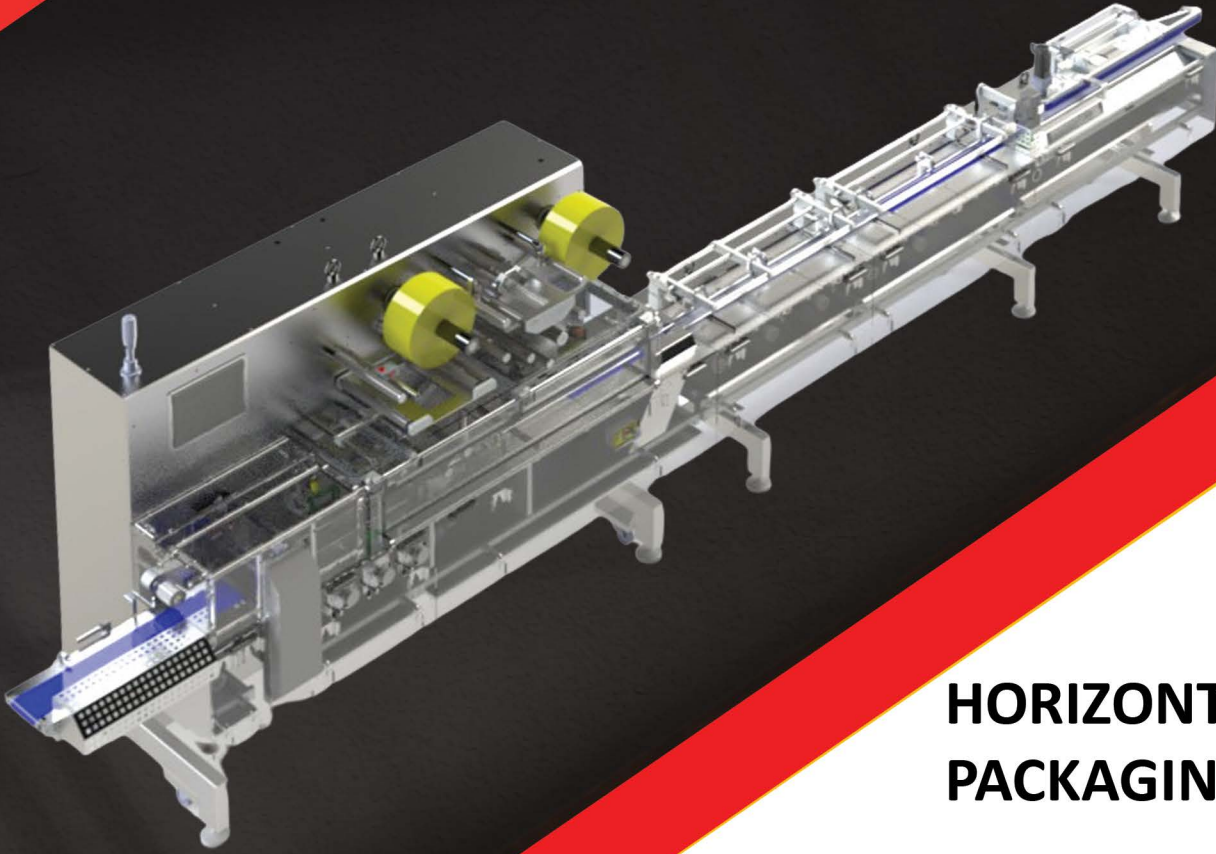


NOKTAMAKINA
machinery and automation solutions

APPTEC

**WE STAND BY
OUR WORK**

VELOPAC 1000



HORIZONTAL PACKAGING MACHINE

Introducing the Velopac 1000 Packaging Machine, meticulously crafted to cater to the packaging needs of high-capacity products within the food sector. In environments where rigorous production activities are the norm, our machine stands out as the epitome of efficiency and reliability. Whether you're packaging bulk quantities of goods or managing a bustling production line, the Velopac 1000 is engineered to streamline your operations and ensure consistent, top-quality packaging. Trust in our expertise to elevate your food packaging processes to new heights of productivity and precision.

Contact us for all your sales needs - our team is here to help

- www.noktamakina.com
- İstanbul - Türkiye

 **(+90) 549 760 60 76**

Dimension Range

PRODUCT SIZE RANGE

| Length (Uzunluk) | | Height (Yükseklik) | | Width (Genişlik) | |
|------------------|--------|--------------------|--------|------------------|--------|
| Min.mm | Max.mm | Min.mm | Max.mm | Min.mm | Max.mm |
| 25 | 300 | 5 | 60 | 18 | 120 |

FILM REEL DIMENSION

| Max. Inner diameter | Max. Outer diameter | Max. width |
|---------------------|---------------------|------------|
| 76mm | 350mm | 350mm |



Technical Features

Weight (Ağırlık) : 1650 kg

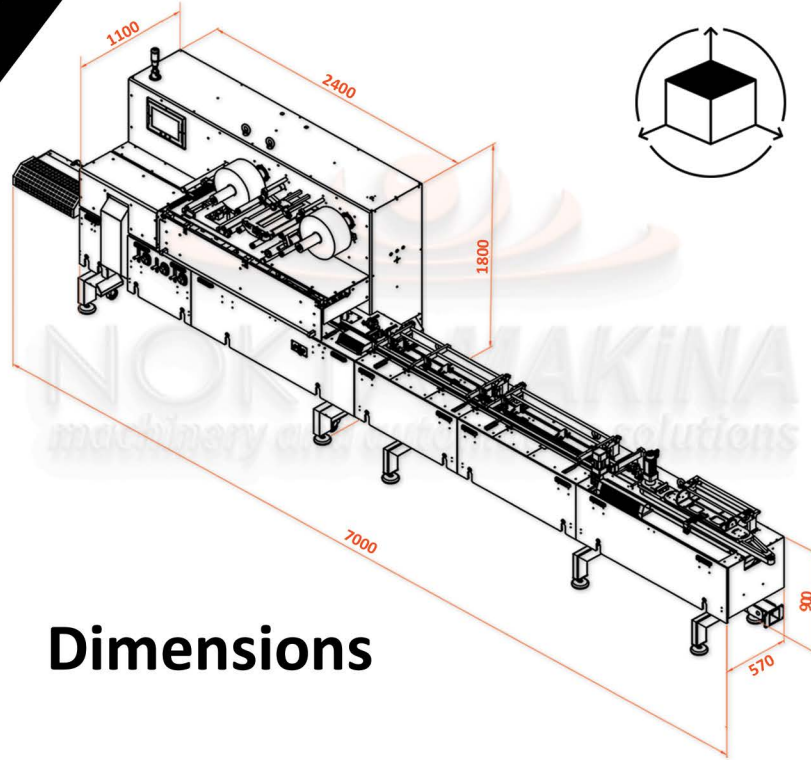
Power (Güç) : 32 kw

Voltage (Voltaj) : 380 (3Ph+N)

Disc Group (Disk Grubu) : 4 Pairs of discs (4 Çift disk)

Sealing Type (Yapıştırma Türü) : Cold / Hot (Soğuk / Sıcak)

Packaging Capacity (Paketleme Kapasitesi) : Up to 800 PPM



Dimensions



The technical equipment of the machine is designed to enable fast packing. Additionally, features such as the automatic reel splicing system, adjustable product package size, photocell adjustments, prescription systems and other application options are easily accessible via the touchscreen interface. The machine's speed and productivity are sustained for many years thanks to its robust chassis, which are its most important features. Furthermore, with the option to add accu-feed feeding systems to the Velopac 1000 packaging machine, it becomes possible to pack soft products (non-contact or soft-contact) while maintaining their quality.



Makinenin teknik donanımı, hızlı paketleme yapılmasını sağlamak için tasarlanmıştır. Ayrıca, otomatik makara birleştirme sistemi, ayarlanabilir ürün paket boyutu, fotosel ayarları, reçete sistemleri ve diğer uygulama seçenekleri gibi özellikler, dokunmatik ekran arayüzü üzerinden kolayca erişilebilir. Makinenin hızı ve üretkenliği, en önemli özelliklerinden biri olan sağlam şasisi sayesinde uzun yıllar boyunca sürdürülebilir. Ayrıca, Velopac 1000 paketleme makinesine accu-feed besleme sistemleri ekleme seçeneği ile yumuşak ürünleri (temassız veya hafif temaslı) kalitelerini koruyarak paketlemek mümkün hale gelir.



info@noktamakina.com

NOKTA OTOMASYON MAKINA VE İNŞ. SAN. TIC. A.Ş.

@Noktamakina