



CONSTMACH

CONCRETE BATCHING PLANTS





CONSTMACH

CONCRETE BATCHING PLANTS

www.constmach.com - info@constmach.com



CONSTMACH

INDEX

ABOUT CONSTMACH

MOBILE CONCRETE PLANTS

STATIONARY CONCRETE PLANTS

COMPACT CONCRETE PLANTS

DRY TYPE CONCRETE PLANTS

CONCRETE MIXERS

AGGREGATE PRE-FEEDING SYSTEMS

CEMENT SILOS

AUTOMATION SYSTEMS

REFERENCES

ABOUT CONSTMACH



CONSTMACH is the leader manufacturer of concrete batching plants crushing & screening equipment of Turkey. Mobile crushing and screening plants, cement silos, gravel screening and washing plants are other product types which are manufactured by **CONSTMACH**.

CONSTMACH manufactures its products at its four factories which are located in İzmir, Turkey.

Our products are exported to over 80 countries on 5 continents. USA, Germany, France, Spain, Canada, Mexico, Netherlands, Belgium, Switzerland, Sweden, Poland, Bulgaria, Slovenia, Slovakia, Serbia, Hungary, Romania, Latvia, Egypt, Morocco, Algeria, Bahrain, Kuwait, Oman, Senegal, Cameroon, Niger, Guinea, Somaliland and many other countries where our plants are preferred by our clients.

Our main target is always manufacturing the plants and machinery which fully satisfy our clients' needs and to maintain the reliability of our company name. Customer satisfaction is the most important business criteria for our company.

CONSTMACH makes human centered designs and production in a way of respecting to the environment and occupational health and safety. **CONSTMACH** is a customer-focused, team-centered and quality assurance process-managed company and to be commitment to customer relationships is always primary in **CONSTMACH**.

ISO 9001:2015 Quality Management System Certificate and CE Certificate of our products are the main indicators of our quality policy.

MOBILE CONCRETE PLANTS



MOBILE 30

MOBILE 60

MOBILE 100

MOBILE 120

MOBICOM 30

MOBICOM 45

MOBILE PRE-FEEDING UNIT

MOBILE CONCRETE PLANTS

CONSTMACH mobile concrete plants are the most preferred concrete batching plant models that are manufactured by **CONSTMACH**. Production capacity of our mobile concrete plants differs from 30 to 120 m³/h capacity. In addition to classical type mobile concrete plants, our company manufactures also mobile & compact type MOBICOM series new generation mobile concrete plants.

Difference of MOBICOM series is the transfer type of the concrete. While the ready mixed concrete is charged to truck mixers directly from the discharging gate of the plant (mixer) in classical concrete plants, it is transferred to truck by means of a concrete transfer conveyor in MOBICOM series. MOBICOM series site type mobile concrete plants are classified as MOBICOM 30 and MOBICOM 45.

It is possible to locate a built in type (internal type) cement silo in Mobile 30, Mobile 60 and Mobile 100. Capacity of the built in type cement silo is 26 tons.

Thanks to internal type cement silo it is possible to produce concrete without needing any external equipment. It is also so easy to move the plant between jobsites.

Twin shaft (double shaft), single shaft, pan and planetary type mixers can be used in our mobile concrete plants so that they could be used for different purposes such as ready mixed concrete, dry mixed concrete, precast concrete production etc.

In case of using of mobile aggregate pre-feeding systems with our mobile concrete plants, necessity of construction of loading ramp is removed, thus the jobsite infrastructure investment is minimized.

CONSTMACH Mobile concrete mixing plants are equipped with high tech control and automation systems including premium class SIEMENS & SCHNEIDER brand electronic and electric components and PLC. The whole system is controlled through an advanced software which has sophisticated features and user friendly interface.

Overall dimensions of **CONSTMACH** mobile concrete batching plants are defined according to international road transport regulations and they are transported between jobsites easily.



MOBILE 30

30 m³/h capacity mobile concrete plant



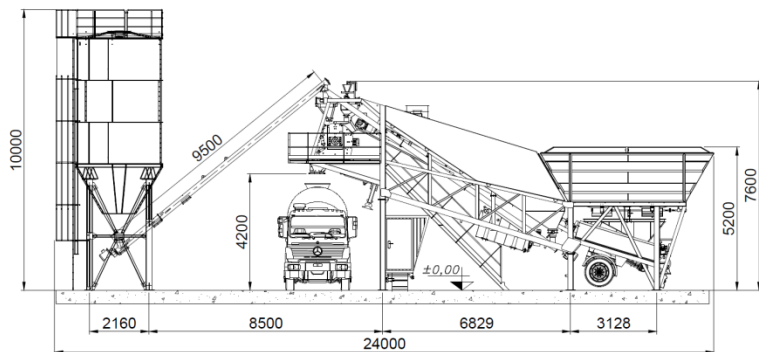
MAIN VALUES OF MOBILE 30

Production Capacity	30 m³/h
Sizes in Transport Position	14.5 (L) x 2.7 (W) x 4.3 (H) meters
Weight	16 Tons
Total Motor Power	70 kW
Required Electric Generator	80 kVA
Mixer Options	Pan - Single Shaft - Planetary
Required area to operate	200 m²

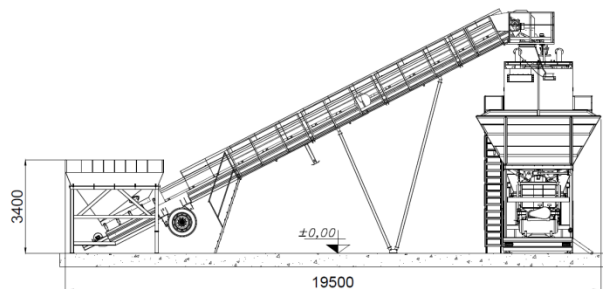
TECHNICAL SPECIFICATIONS OF MOBILE 30

Aggregate Hopper Volume	4 x 10 m³
Aggregate Weighing Hopper	0.75 m³
Aggregate Transfer Conveyor	600 x 10.000 mm
Mixer Wet Concrete Volume	0.5 m³
Cement Weighing Hopper	300 kg
Water Weighing Hopper	200 lt
Additive Weighing Hopper	20 lt
Air Compressor	300 lt, 4 kW
Cement Silo Option 1	Internal Type, located on the plant body, 26 tons capacity.
Cement Silo Option 2	External Type, optional from 50 to 200 tons capacity.
Control Type	FULL AUTOMATIC

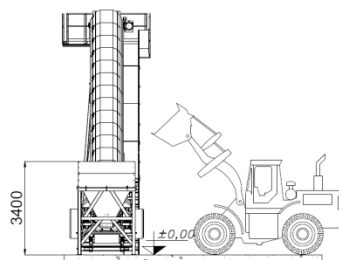
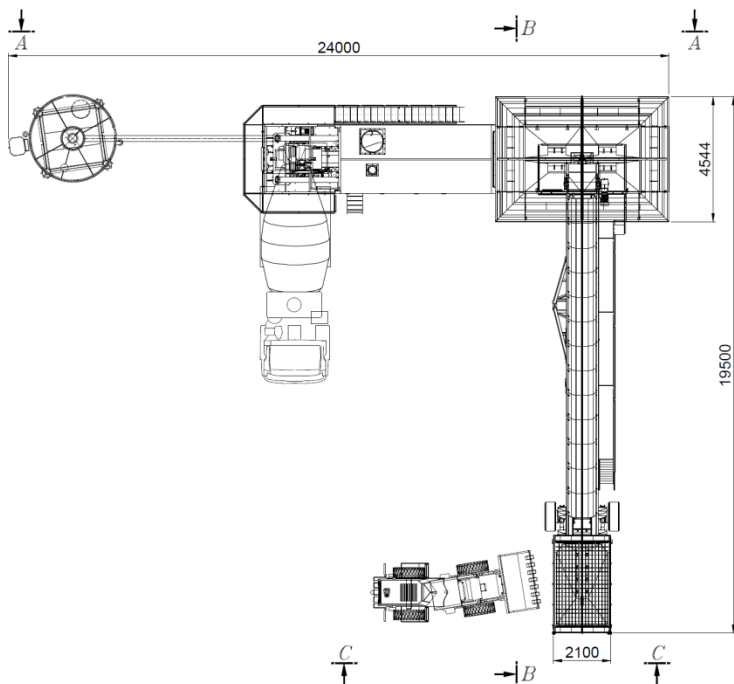
MOBILE 30 LAYOUT



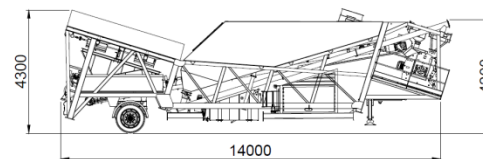
A-A SECTION



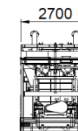
B-B SECTION



C-C SECTION



TRANSPORT POSITION



P. NO	COMPONENT NAME	QTY	MATERIAL	DESCRIPTIONS	TOTAL MASS
	CONSTMACH				company
			name signature date	capacity	order number
▲			design	part name	
▲			drawn		
▲			checked		
▲			approved		
			scale 1:100 (E-SCALE)		
				sheet name	
1					

MOBILE 30



Transport position

With an external cement silo



With an internal cement silo



MOBILE 60

60 m³/h capacity mobile concrete plant



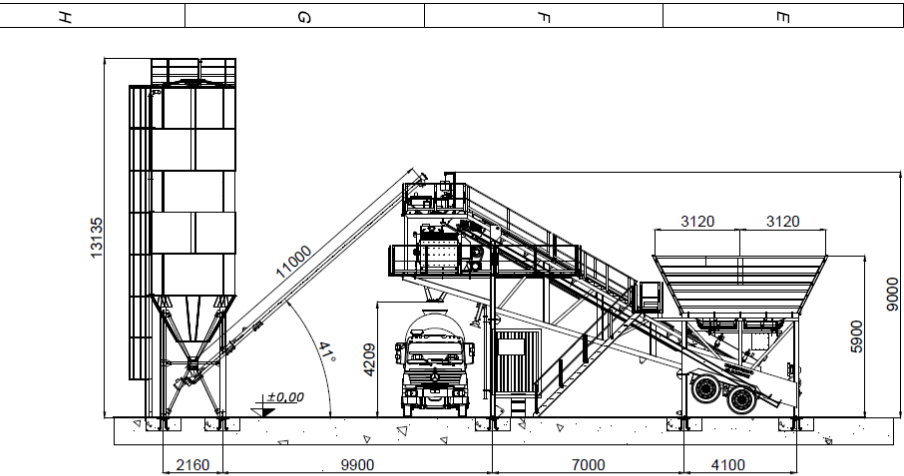
MAIN VALUES OF MOBILE 60

Production Capacity	60 m³/h
Sizes in Transport Position	16.1 (L) x 2.8 (W) x 4.3 (H) meters
Weight	23 tons
Total Motor Power	85 kW
Required Electric Generator	110 kVA
Mixer Options	Pan - Single Shaft - Twin Shaft - Planetary
Required area to operate	300 m²

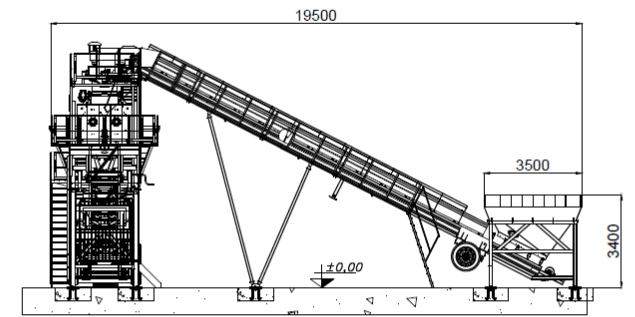
TECHNICAL SPECIFICATIONS OF MOBILE 60

Aggregate Hopper Volume	4 x 10 m³
Aggregate Weighing Hopper	1.5 m³
Aggregate Transfer Conveyor	800 x 12.000 mm
Mixer Wet Concrete Volume	1 m³
Cement Weighing Hopper	600 kg
Water Weighing Hopper	300 lt
Additive Weighing Hopper	30 lt
Air Compressor	300 lt, 4 kW
Cement Silo Option 1	Internal Type, located on the plant body, 26 tons capacity.
Cement Silo Option 2	External Type, optional from 50 to 500 tons capacity.
Control Type	FULL AUTOMATIC

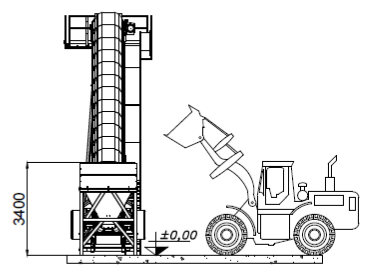
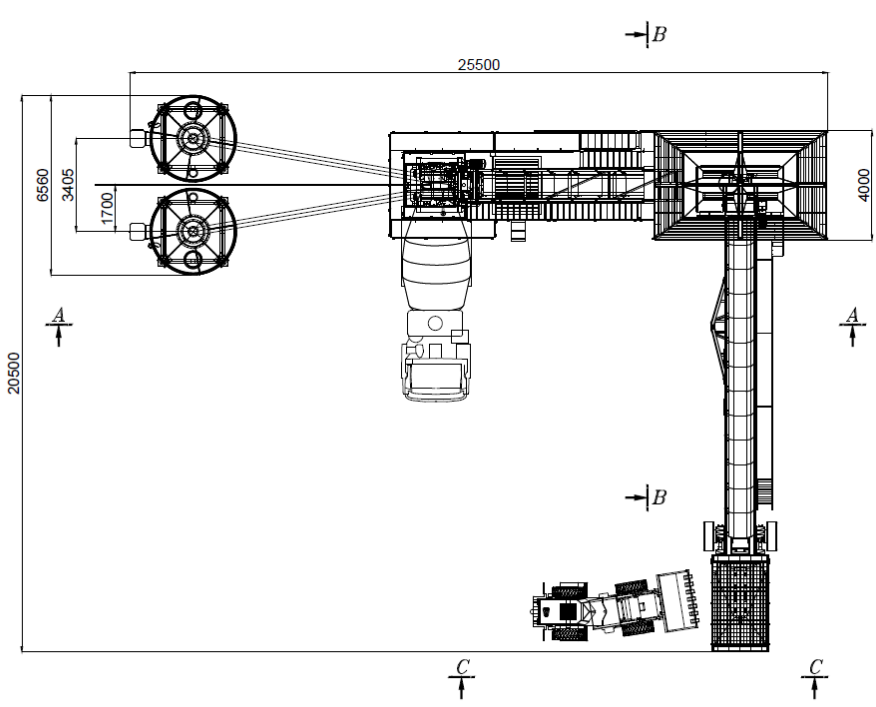
MOBILE 60 LAYOUT



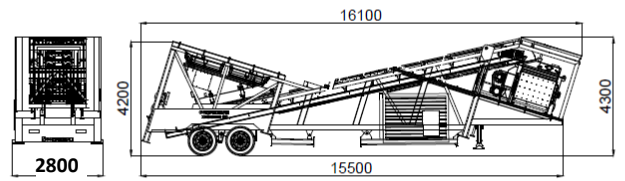
A-A SECTION



B-B SECTION



C-C SECTION



TRANSPORT POSITION

P. NO	COMPONENT NAME	CITY	MATERIAL	DESCRIPTION	TOTAL MASS
					company
					order number
△		name	signature	date: 17/02/2021	capacity: 60M ³ /H
△		design			
△		check			
△		approved			
△		scale: 1:50			
△	revision	date	name		sheet name

MOBILE 60 LAYOUT

MOBILE 60



Transport position

With an external cement silo



With an internal cement silo



MOBILE 100

100 m³/h capacity mobile concrete plant



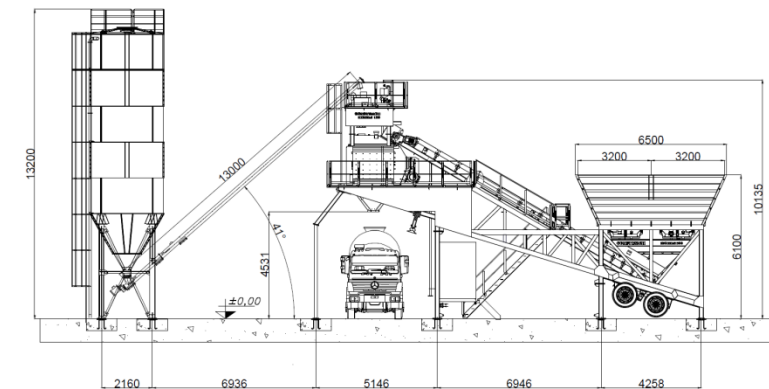
MAIN VALUES OF MOBILE 100

Production Capacity	100 m³/h
Sizes in Transport Position	17 (L) x 2.8 (W) x 4.3 (H) meters
Weight	30 Tons
Total Motor Power	125 kW
Required Electric Generator	200 kVA
Mixer Options	Twin Shaft
Required area to operate	300 m²

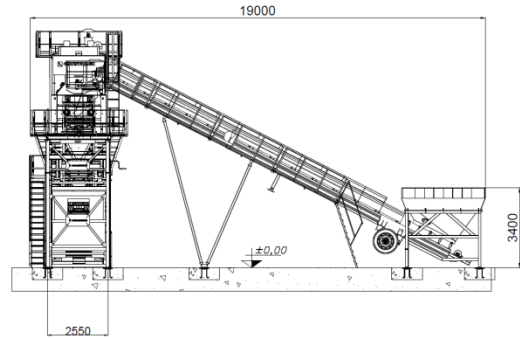
TECHNICAL SPECIFICATIONS OF MOBILE 100

Aggregate Hopper Volume	4 x 12 m³
Aggregate Weighing Hopper	3 m³
Aggregate Transfer Conveyor	1.000 x 13.000 mm
Mixer Wet Concrete Volume	2 m³
Cement Weighing Hopper	1.200 kg
Water Weighing Hopper	800 lt
Additive Weighing Hopper	30 lt
Air Compressor	500 lt, 5.5 kW
Cement Silo Option 1	Internal Type, located on the body, 26 tons capacity.
Cement Silo Option 2	External Type, optional from 50 to 500 tons capacity.
Control Type	FULL AUTOMATIC

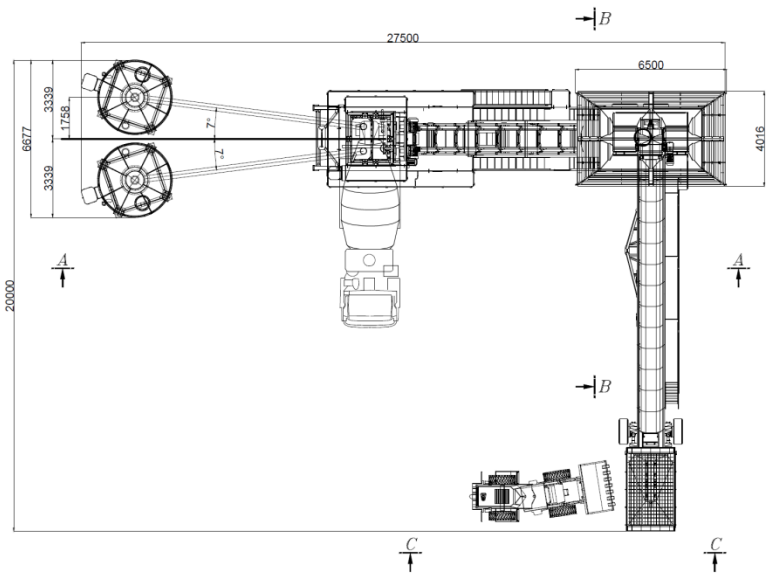
MOBILE 100 LAYOUT



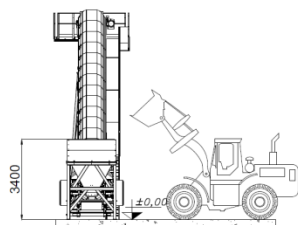
A-A SECTION



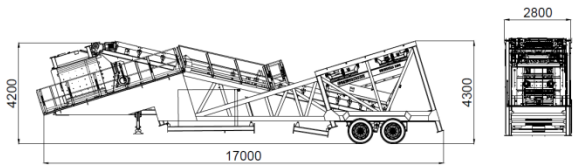
B-B SECTION



C-C SECTION



C-C SECTION



TRANSPORT POSITION

3	REV1/1008MM	2	CONVITEUR A 100	
2	BELD A CEMENT BOLGORNE DE SNE/5 TONNES	2	BELD A CEMENT	
2	CONSTRUCION MOBILE 100	1	100MM	
P. NO	COMPONENT NAME	QTY	MATERIAL	DESCRIPTIONS
				TOTAL BASED
				company
				order number
				S19-012
DATE	25.08.2018	LOGO	1008MM	
DESIGNER				
CHECKED				
APPROVED				
SCALE	1:1			
PROJECT NAME				
DATE				
REVISION				

MOBILE 100



Transport position



With external cement silo and pre-feeder



With an internal cement silo

MOBILE 120

120 m³/h capacity mobile concrete plant



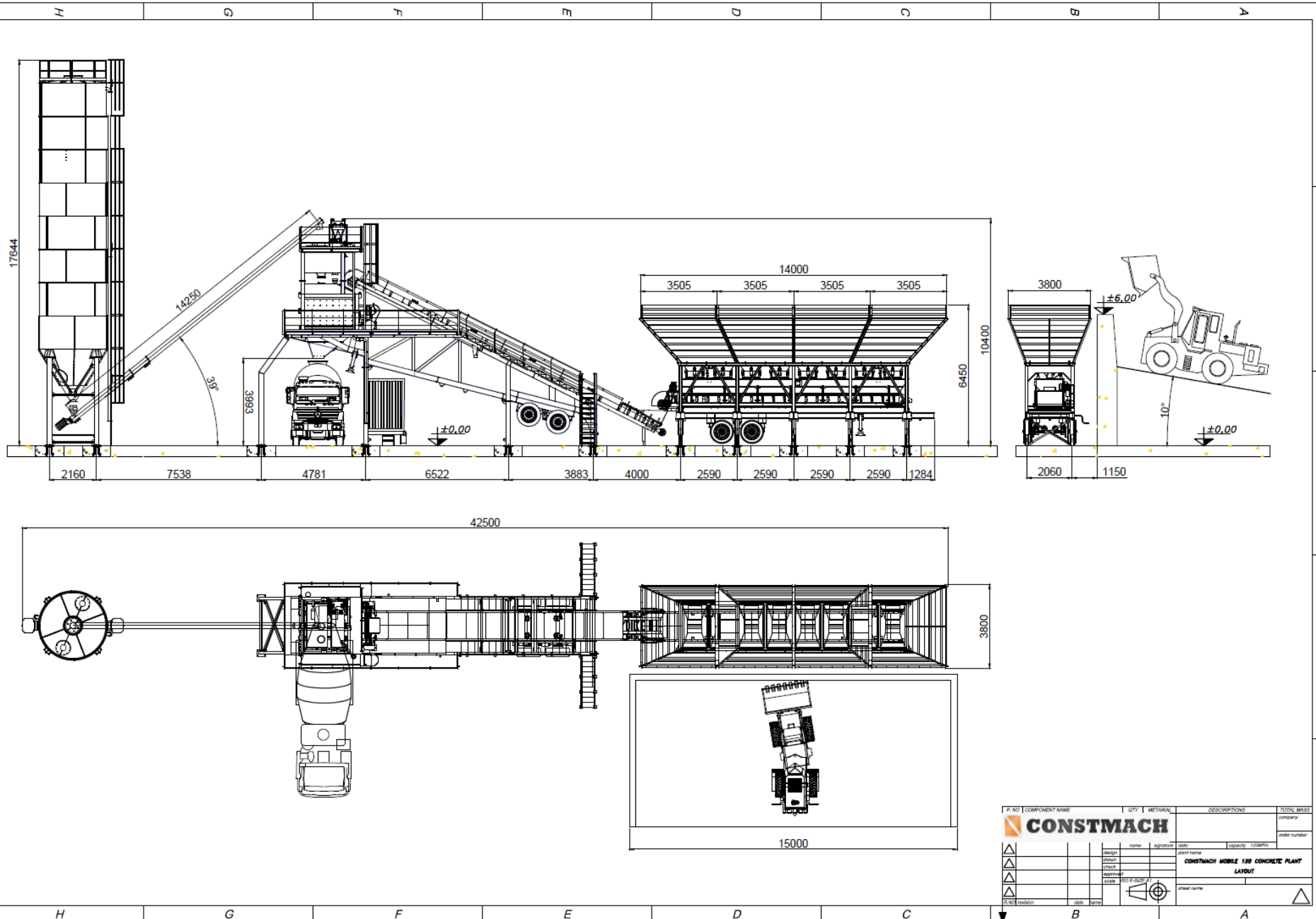
MAIN VALUES OF MOBILE 120

Production Capacity	120 m³/h
Sizes in Transport Position	1st chassis: 15.5 (L) x 3 (W) x 4.3 (H) meters 2nd chassis: 14 (L) x 3 (W) x 3.9 (H) meters
Weight	58 tons
Total Motor Power	205 kW
Required Electric Generator	300 kVA
Mixer Options	Twin Shaft
Required area to operate	500 m²

TECHNICAL SPECIFICATIONS OF MOBILE 120

Aggregate Hopper Volume	4 x 25 m³
Aggregate Weighing Hopper	4.5 m³
Aggregate Weighing Conveyor	1.000 x 11.100 mm
Aggregate Transfer Conveyor	1.000 x 15.200 mm
Mixer Wet Concrete Volume	3 m³
Cement Weighing Hopper	1.800 kg
Water Weighing Hopper	1.000 lt
Additive Weighing Hopper	100 lt
Air Compressor	500 lt, 7.5 kW
Cement Silo	External Type. Optional from 50 to 500 tons capacity.
Control Type	FULL AUTOMATIC

MOBILE 120 LAYOUT



#	NO	COMPONENT NAME	QTY	MATERIAL	DESCRIPTIONS	TOTAL MASS
		CONSTMACH				company
		design	name	signature	date	order number
Δ		checked			project name	capacity
Δ		approved			CONSTMACH MOBILE 120 CONCRETE PLANT	
Δ		drawn			LAYOUT	
Δ		scale				
Δ		date				
Δ		author				
Δ		date				
Δ		date				
Δ		date				



Transport position of 1st chassis



Transport position of 2nd chassis

MOBICOM 30

30 m³/h capacity mobile and compact type concrete plant



CONSTMACH MOBICOM 30 Mobile & Compact & site type concrete batching plant is an ideal solution for the projects that require high mobility, temporary production area and low investment budget. Unlike classical mobile concrete plants, **MOBICOM 30** concrete plant can be shipped within only 1 pcs 40ft Container. It requires minimum site preparation and does not require a mobile crane for the installation. Only a loader is enough. The plant can be shipped by a truck between the jobsites easily. To ensure easy mobility, MOBICOM concrete plants remain at the same position during both production and transport. Since the mixer is just above the ground level, produced concrete is transferred to truck mixer by a conveyor belt. **MOBICOM 30** site type Concrete batching plant requires a minimum site preparation. Just a flat ground that is capable to carry the total load of the plant is enough.

MOBICOM 30 site type mobile concrete plant has the features of being able to have all necessary equipments for concrete production except the cement silo, but If cement is supplied in bags, cement bag opening hopper and cement transfer system which are present on chassis of the plant is used instead of a cement silo. In case of need, MOBICOM 30 can be equipped by also a cement silo. Thanks to the optimized aggregate feeding height of MOBICOM 30, ramp for loaders to charge aggregate to the hopper is not required. A loader can charge the hopper directly from ground level easily.

MOBICOM 30 is equipped with high-tech automation system including top class SIEMENS & SCHNEIDER brand electronic components and PLC. The whole system is controlled through an advanced software which has sophisticated features and user friendly interface.

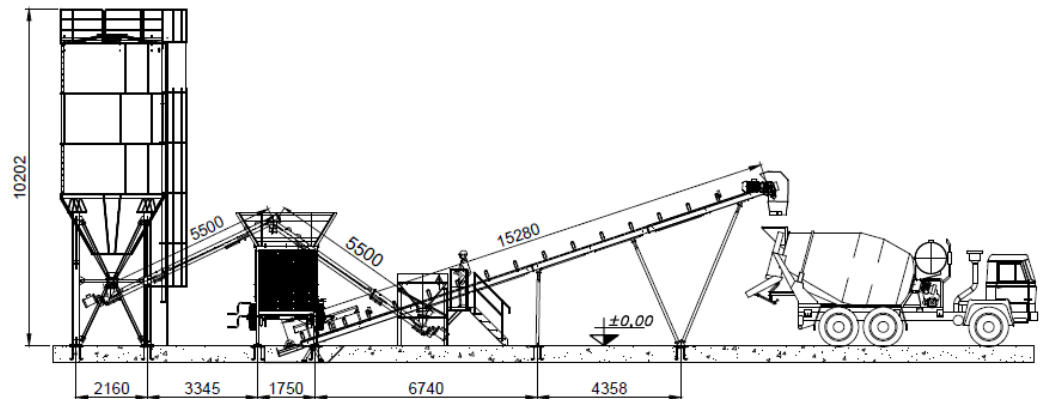
MAIN VALUES OF MOBICOM 30

Production Capacity	30 m³/h
Sizes in Transport Position	8 (L) x 2.3 (W) x 2.5 (H) meters
Weight	8.5 tons
Total Motor Power	47 kW
Required Electric Generator	70 kVA
Mixer Options	Pan - Single Shaft - Planetary
Required area to operate	200 m²

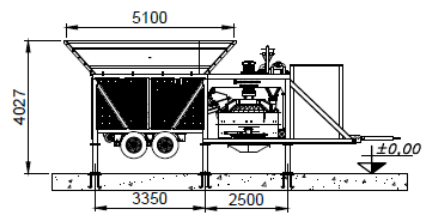
TECHNICAL SPECIFICATIONS OF MOBICOM30

Aggregate Hopper Volume	4 x 6 m³
Aggregate Weighing Hopper	0.75 m³
Concrete Transfer Conveyor	800 x 15.250 mm
Mixer Wet Concrete Volume	0.5 m³
Cement Weighing Hopper	300 kg
Water Weighing Hopper	200 lt
Additive Weighing Hopper	20 lt
Air Compressor	300 lt, 4 kW
Cement Silo	Optional from 50 to 200 tons capacity.
Control Type	FULL AUTOMATIC

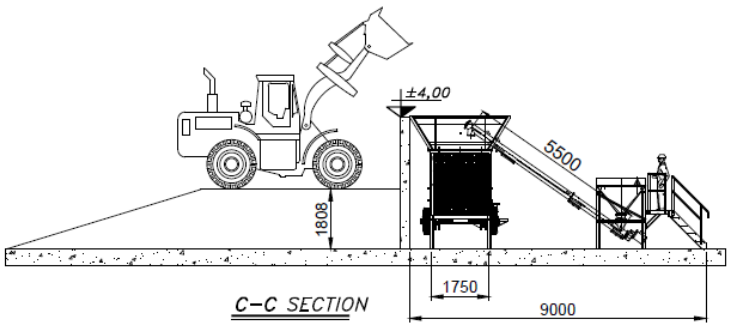
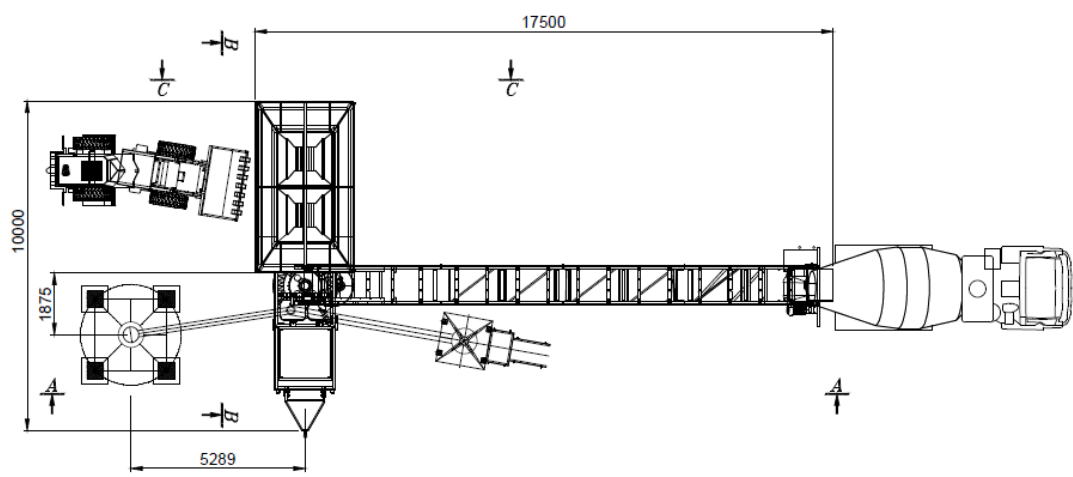
MOBICOM 30 LAYOUT



A-A SECTION



B-B SECTION



C-C SECTION

REF. NO.	COMPONENT NAME	QTY.	MATERIAL	DESCRIPTIONS	TOTAL MASS
				company	
				order number	57047
				MOBICOM 30 LAYOUT LAYOUT	
				2/10	
				author name	

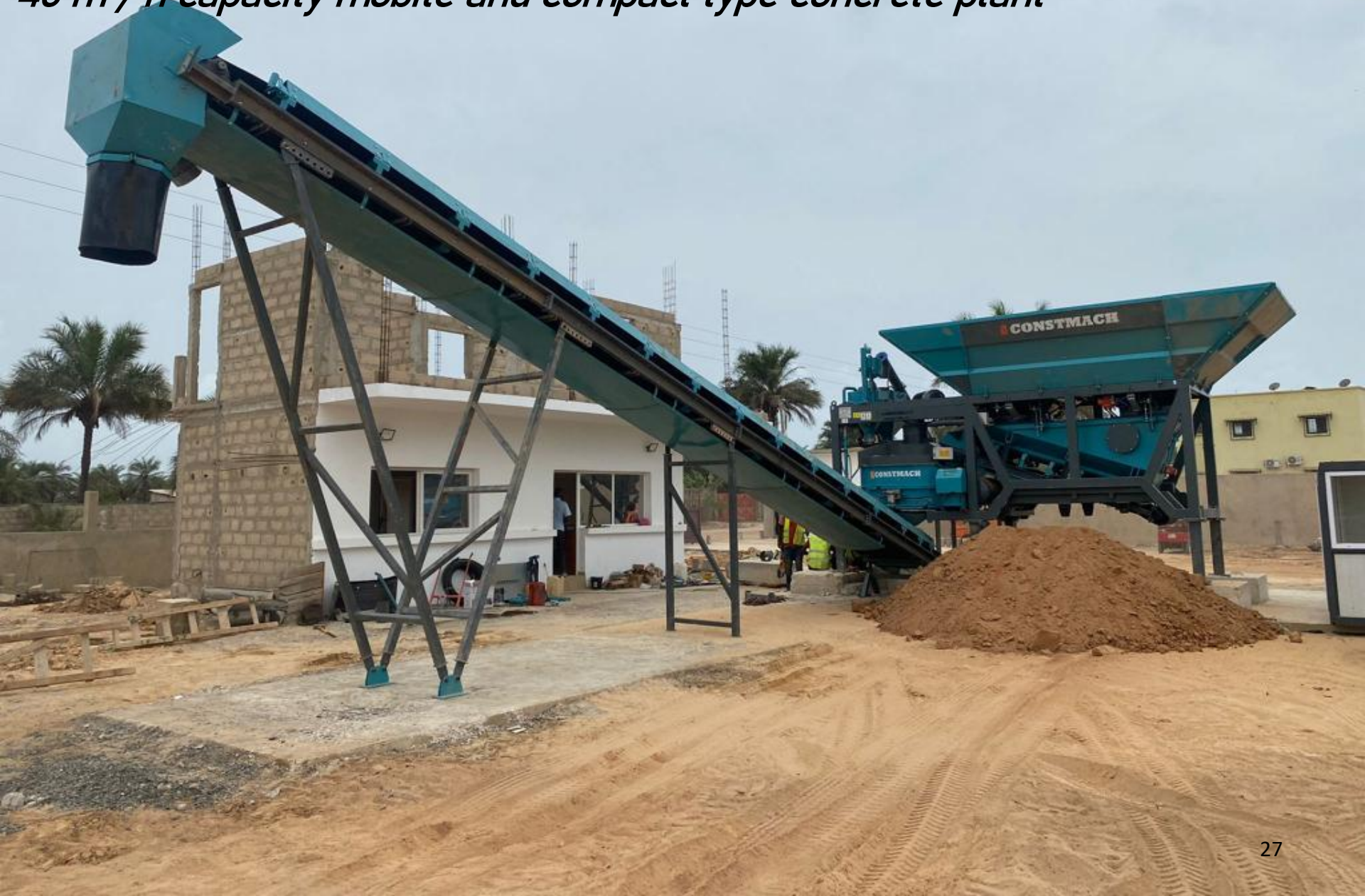


MOBICOM 30



MOBICOM 45

45 m³/h capacity mobile and compact type concrete plant



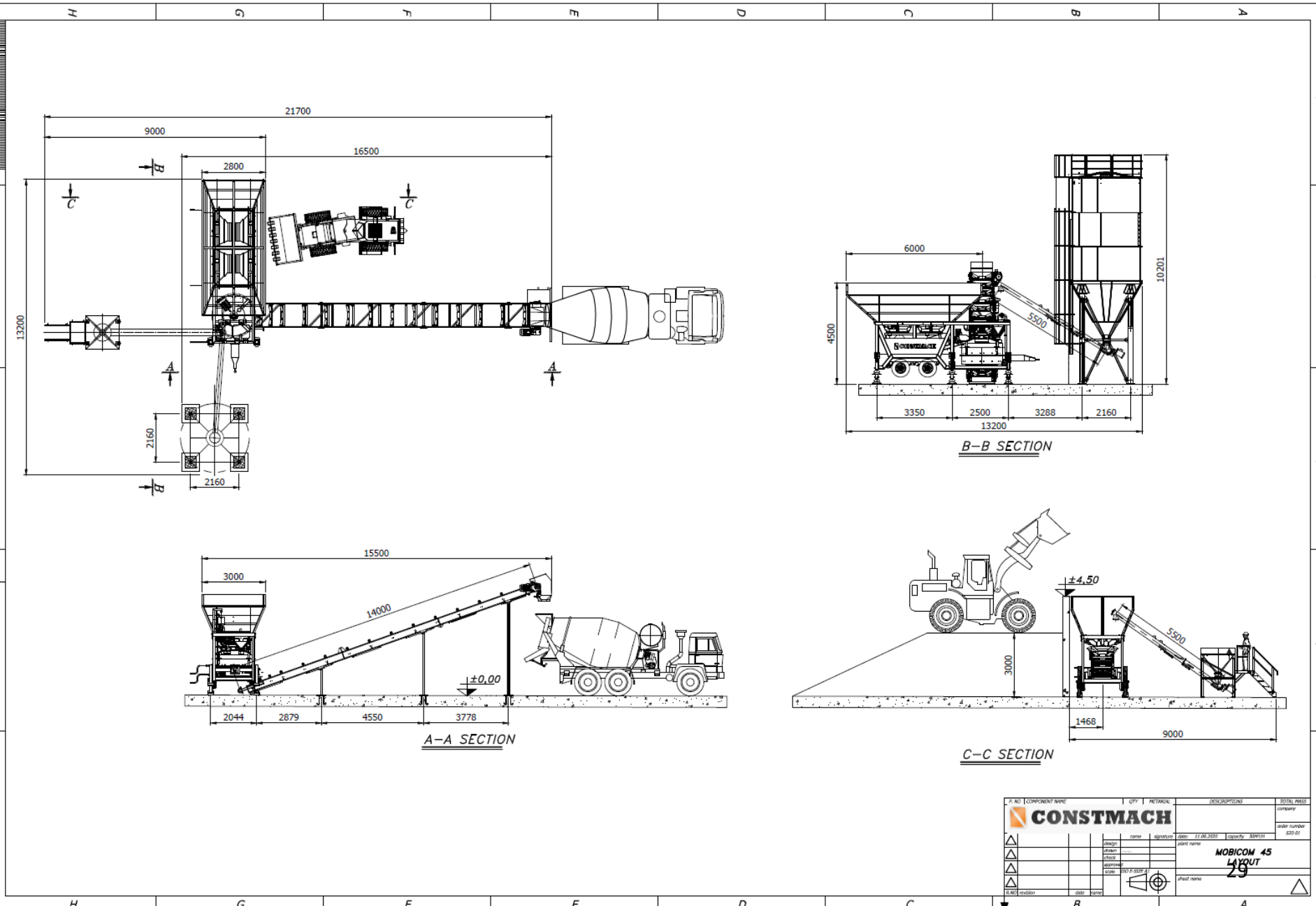
MAIN VALUES OF MOBICOM 45

Production Capacity	45 m³/h
Sizes in Transport Position	8 (L) x 2.3 (W) x 2.5 (H) meters
Weight	9.5 tons
Total Motor Power	55 kW
Required Electric Generator	80 kVA
Mixer Options	Pan - Single Shaft - Planetary
Required area to operate	200 m²

TECHNICAL SPECIFICATIONS OF MOBICOM 45

Aggregate Hopper Volume	4 x 6 m³
Aggregate Weighing Hopper	1 m³
Concrete Transfer Conveyor	800 x 15.250 mm
Mixer Wet Concrete Volume	0.75 m³
Cement Weighing Hopper	450 kg
Water Weighing Hopper	300 lt
Additive Weighing Hopper	20 lt
Air Compressor	300 lt, 4 kW
Cement Silo	Optional from 50 to 200 tons capacity.
Control Type	FULL AUTOMATIC

MOBICOM 45 LAYOUT



P. NO COMPONENT NAME		OFF MATERIAL		DESCRIPTIONS		TOTAL PRICE	
						Company	
						Order number	
						459-01	
▲	design	name	signature	date	quantity	price/lot	
▲	drawn						
▲	checked						
▲	approved						
▲	scale	1:50					
				sheet name			
				sheet number			
				sheet total			

MOBICOM 45 LAYOUT
29

MOBICOM 45



STATIONARY CONCRETE PLANTS

STATIONARY 60
STATIONARY 100
STATIONARY 120
STATIONARY 160



STATIONARY CONCRETE PLANTS

Production capacity of our stationary type concrete batching plants are classified as 60, 100, 120, 160, 200 and 240 m³/h. As per customer needs and capacity requirements, two sets of mixers can be used at the same time in one concrete plant. You can check DoubleMix 100 and DoubleMix 160 to see these kinds of applications.

Twin shaft mixers, single shaft mixers, planetary mixers and pan mixers are the mixer types that are used in our stationary (fix) type concrete mixing plants according to the desired concrete type to be produced.

CONSTMACH stationary concrete batching plants are equipped with high technology control systems that include premium quality and made in Europe, SIEMENS and SCHNEIDER brands electronic components and PLC modulus. All units of the plant are controlled through an advanced software which has sophisticated features and user friendly interface. For urgent cases, manual control panel is also present.

CONSTMACH stationary type concrete mixing plants are equipped with different sizes of cement silos according to production capacity and application purposes. From 30 to 1.000 tons capacity cement silos can be used in our fix type concrete plants.

Cement silos up to 50 tons capacity are manufactured as bolted and welded type. Silos have capacity above 50 tons are preferred as bolted type for easy transport. CONSTMACH cement silos are equipped with air filter against dust, pressure relief (safety) valve, level indicators, butterfly valves and air nozzles.

Our company knows very well that the climate conditions have major affects on the quality of concrete. While STATIONARY concrete batching plants in cold-climate regions such as Russia, Kazakhstan, Ukraine, Northern Europe etc. are being heated by hot vapor generators and insulated panels, the concrete water to be used in concrete plants in hot-regions such as middle east, GCC or Africa countries is cooled by chillers.

Aggregate pre-feeding systems are our alternative solutions to the loading ramps which are necessary for charging the hoppers by loaders. In case of using aggregate pre-feeding systems, requirement of loading ramp is removed.

Different Layouts and site plans for STATIONARY concrete plants are applied according to the conditions of the area where the concrete plant is to be installed.



STATIONARY 60

60 m³/h capacity stationary concrete plant



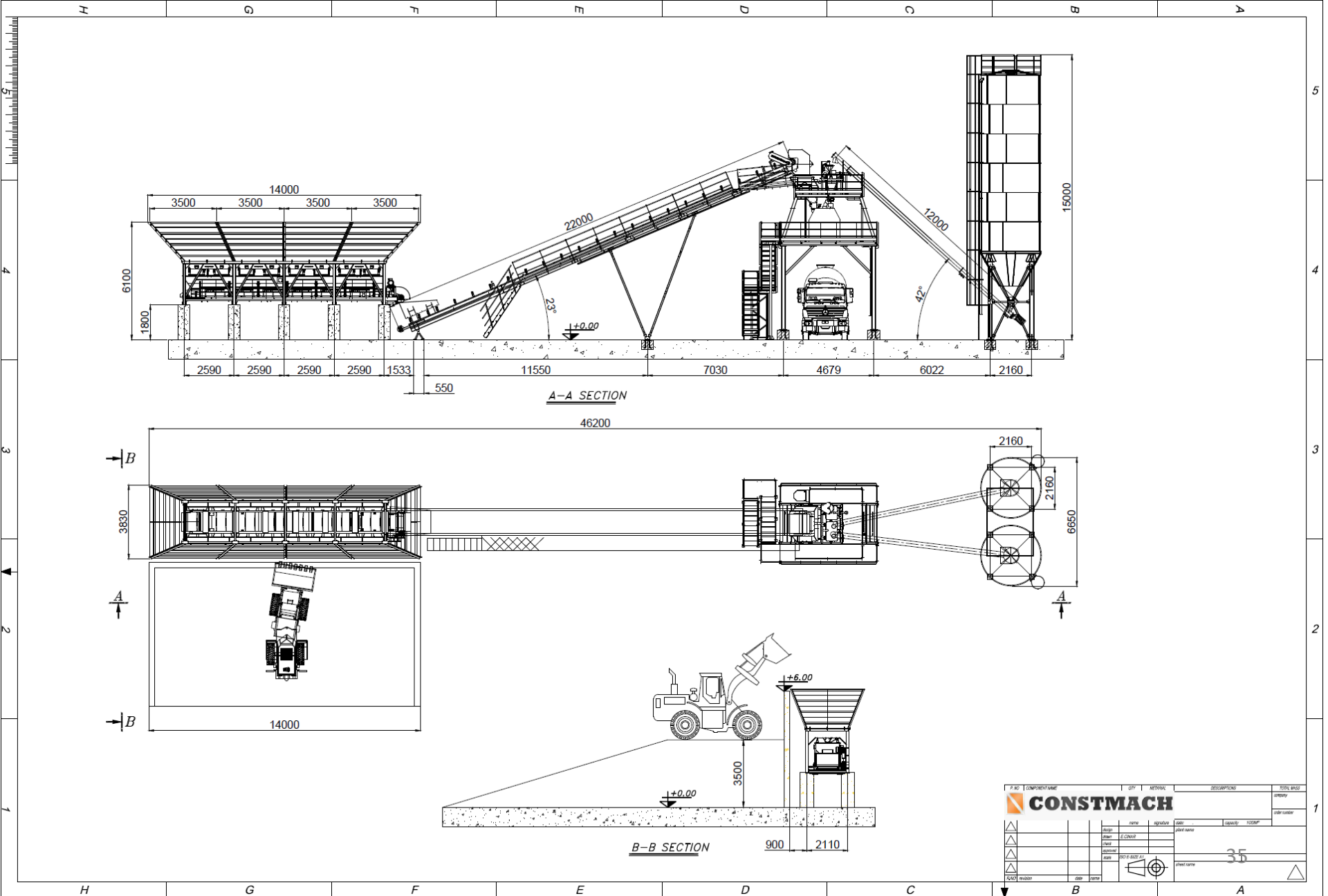
MAIN VALUES OF STATIONARY 60

Production Capacity	60 m³/h
Weight	38 tons
Total Motor Power	125 kW
Required Electric Generator	200 kVA
Mixer Options	Pan - Single Shaft - Twin Shaft - Planetary
Required area to operate	700 m²

TECHNICAL SPECIFICATIONS OF STATIONARY 60

Aggregate Hopper Volume	4 x 20 m³
Aggregate Weighing Hopper	1.5 m³
Aggregate Weighing Conveyor	800 x 11.100 mm
Aggregate Transfer Conveyor	800 x 22.000 mm
Aggregate Stand-by Hopper	1.5 m³
Mixer Wet Concrete Volume	1 m³
Cement Weighing Hopper	600 kg
Water Weighing Hopper	300 lt
Additive Weighing Hopper	30 lt
Air Compressor	500 lt, 5.5 kW
Cement Silo	Optional from 50 to 500 tons capacity.
Control Type	FULL AUTOMATIC

STATIONARY 60 LAYOUT



P. NO.		COMPONENT NAME		QTY	REMARK	DESCRIPTION	TOTAL AREA
1		CONSTMACH					35
DATE	BY	CHECKED	APPROVED	DESIGNER	SCALE	PROJECT	

STATIONARY 60



STATIONARY 100

100 m³/h capacity stationary concrete plant



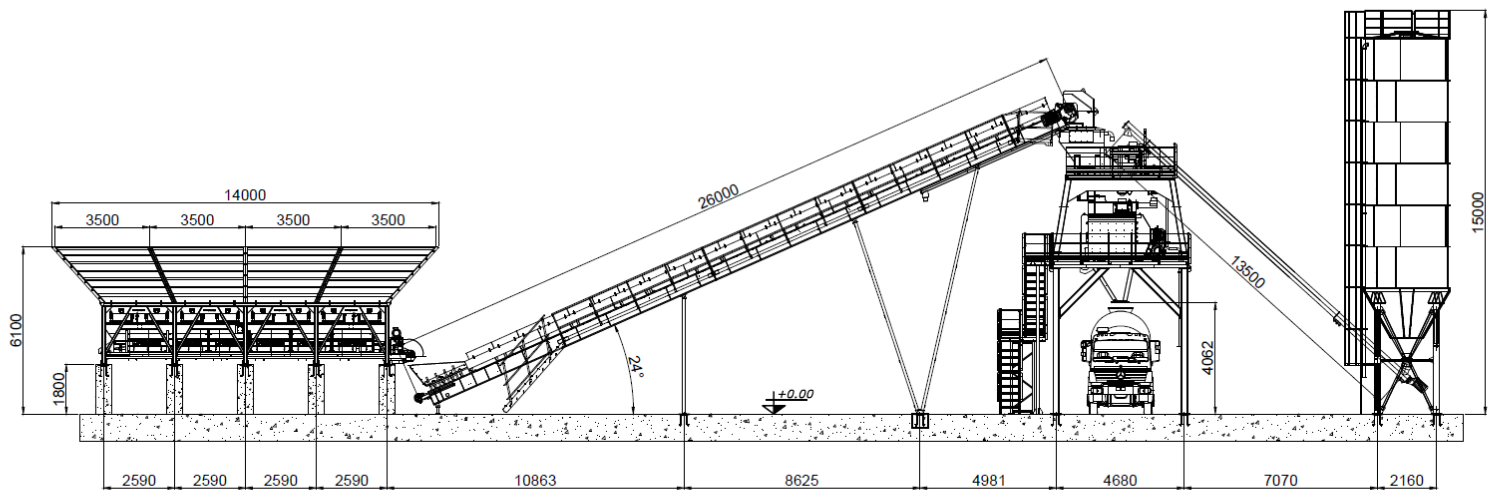
MAIN VALUES OF STATIONARY 100

Production Capacity	100 m³/h
Weight	48 tons
Total Motor Power	175 kW
Required Electric Generator	250 kVA
Mixer Options	Pan - Single Shaft - Twin Shaft - Planetary
Required area to operate	700 m²

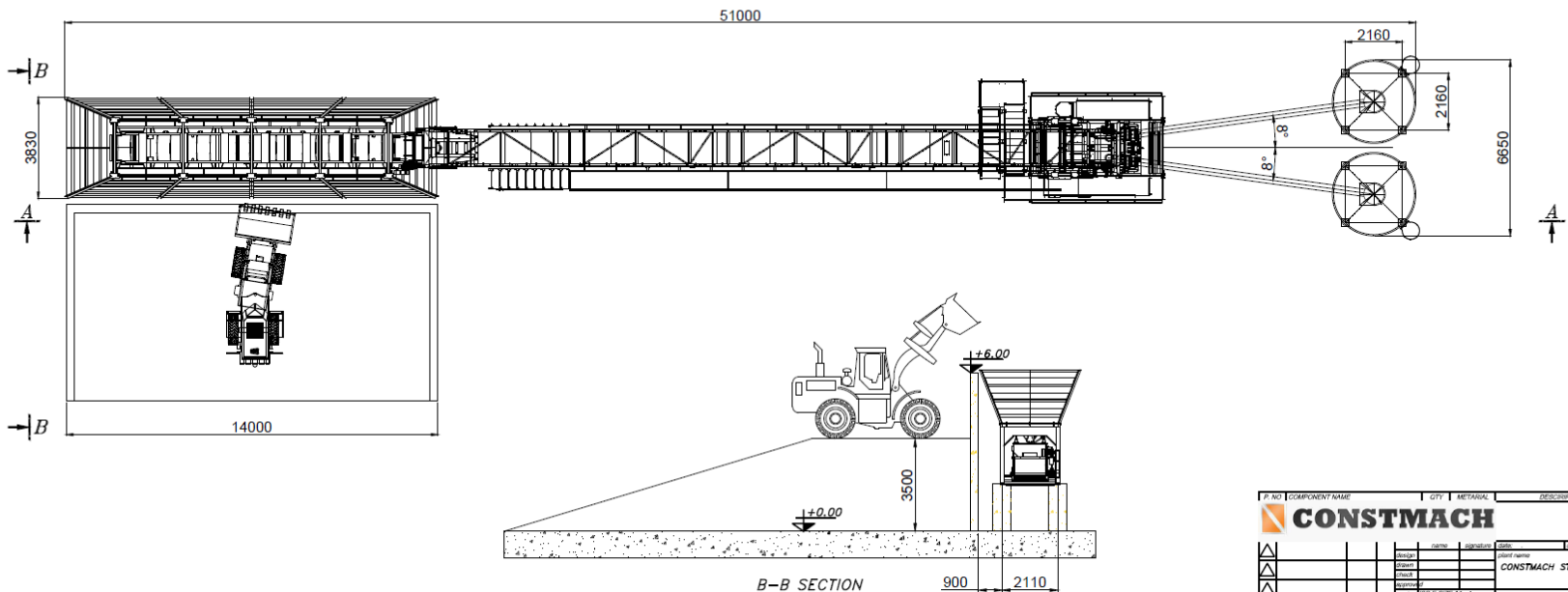
TECHNICAL SPECIFICATIONS OF STATIONARY 100

Aggregate Hopper Volume	4 x 25 m³
Aggregate Weighing Hopper	3 m³
Aggregate Weighing Conveyor	1.000 x 11.100 mm
Aggregate Transfer Conveyor	1.000 x 26.000 mm
Aggregate Stand-by Hopper	3 m³
Mixer Wet Concrete Volume	2 m³
Cement Weighing Hopper	1.200 kg
Water Weighing Hopper	600 lt
Additive Weighing Hopper	50 lt
Air Compressor	500 lt, 5.5 kW
Cement Silo	Optional from 75 to 500 tons capacity.
Control Type	FULL AUTOMATIC

STATIONARY 100 LAYOUT



A-A SECTION



B-B SECTION

ITEM NO	COMPONENT NAME	QTY	MATERIAL	DESCRIPTIONS	TOTAL MASS
					company
CONSTMACH STATIONARY 100S PLANT LAYOUT					order number
▲	name	signature	date	specify	100P
▲	designer				
▲	checker				
▲	approved				
▲	date				
▲	scale				
▲	sheet name				
▲	sheet number				

STATIONARY 100



STATIONARY 120

120 m³/h capacity stationary concrete plant



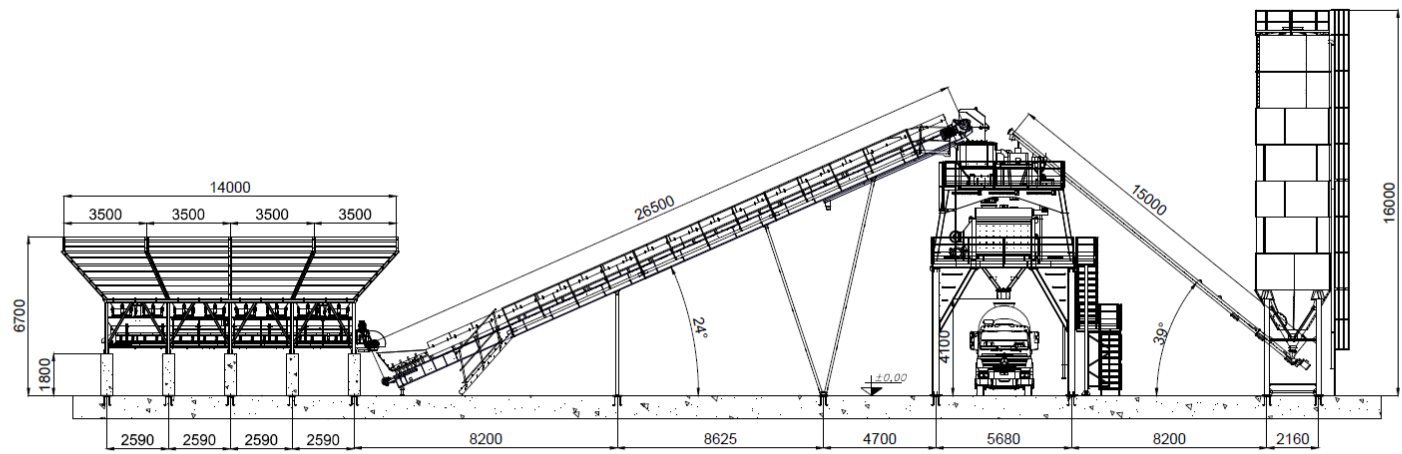
MAIN VALUES OF STATIONARY 120

Production Capacity	120 m³/h
Weight	58 tons
Total Motor Power	205 kW
Required Electric Generator	300 kVA
Mixer Options	Twin Shaft
Required area to operate	700 m²

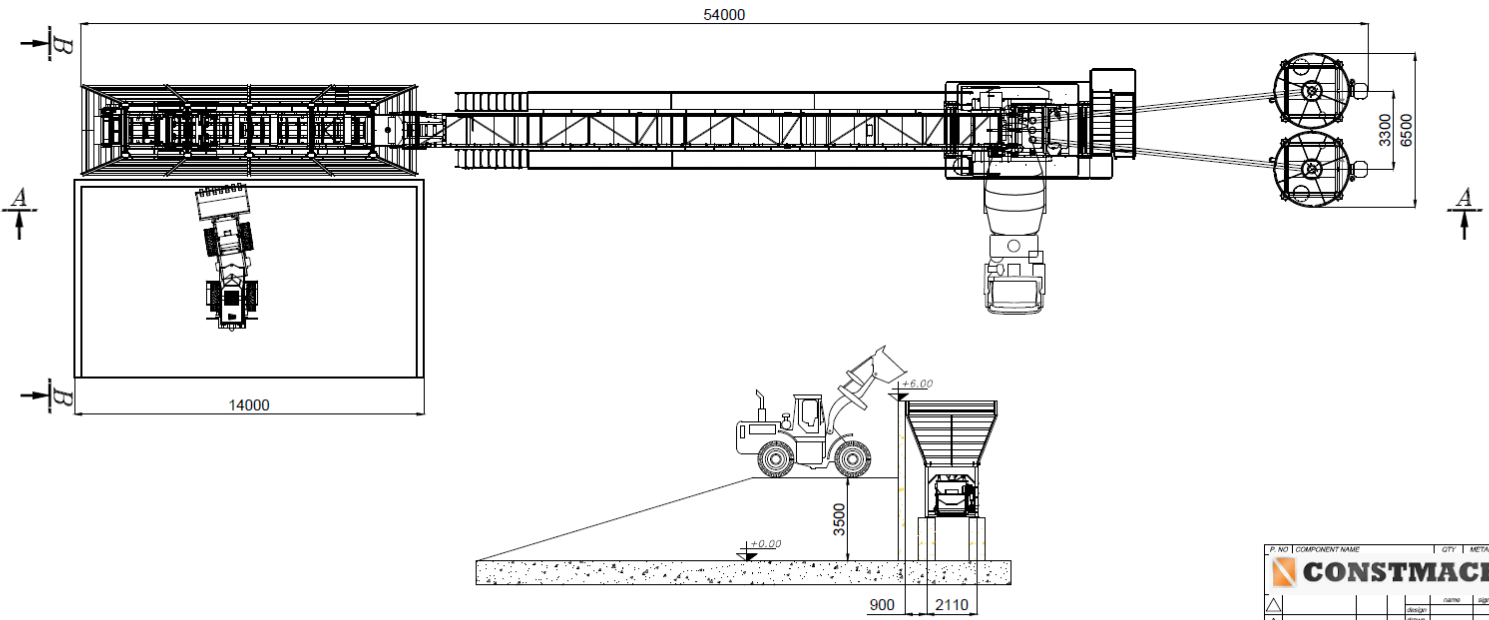
TECHNICAL SPECIFICATIONS OF STATIONARY 120

Aggregate Hopper Volume	4 x 30 m³
Aggregate Weighing Hopper	4.5 m³
Aggregate Weighing Conveyor	1.000 x 11.100 mm
Aggregate Transfer Conveyor	1.000 x 26.500 mm
Aggregate Stand-by Hopper	4.5 m³
Mixer Wet Concrete Volume	3 m³
Cement Weighing Hopper	1.800 kg
Water Weighing Hopper	1.000 lt
Additive Weighing Hopper	100 lt
Air Compressor	500 lt, 5.5 kW
Cement Silo	Optional from 100 to 500 tons capacity.
Control Type	FULL AUTOMATIC

STATIONARY 120 LAYOUT



A-A SECTION



B-B SECTION

P. NO	COMPONENT NAME	QTY	MATERIAL	DESCRIPTIONS	TOTAL MASS
					company
					order number
△	design	name	signature	date: 12.05.2021	capacity: 120M³/HR
△	drawn				
△	checked				
△	approved				
△	scale	1:50 (if applicable)			
△	sheet name				
△	revision	date	name		

STATIONARY 120



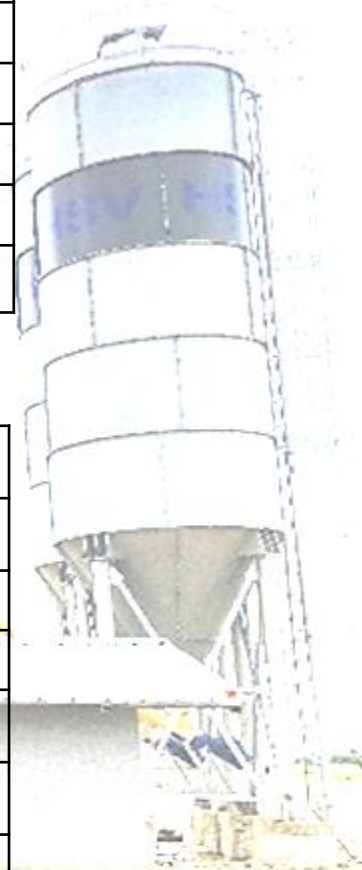
STATIONARY 160

160 m³/h capacity stationary concrete plant



MAIN VALUES OF STATIONARY 160

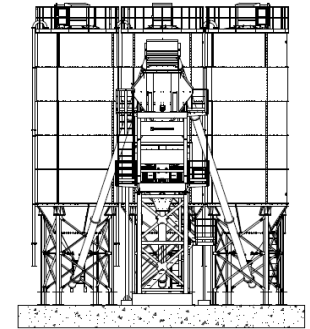
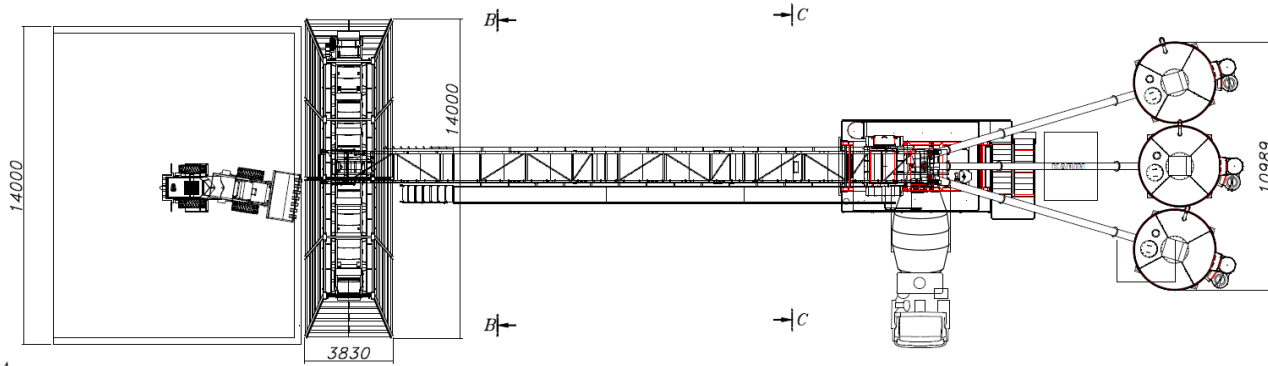
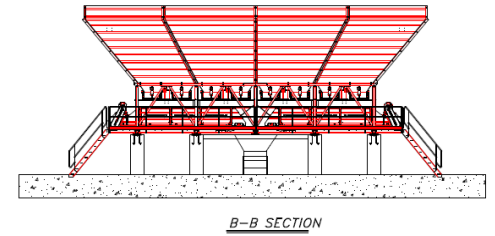
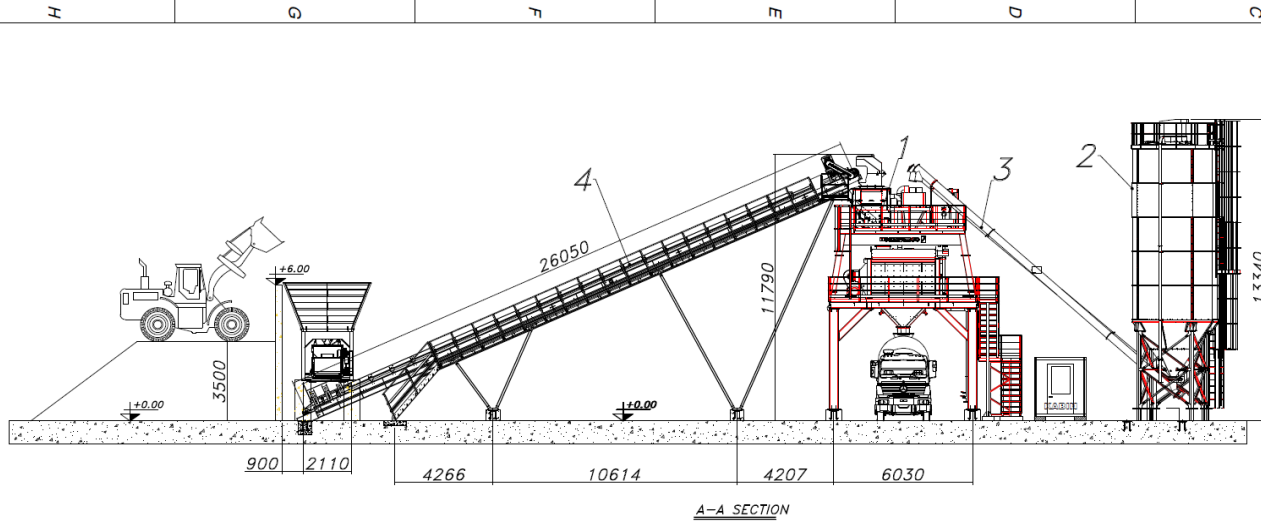
Production Capacity	160 m³/h
Weight	66 tons
Total Motor Power	260 kW
Required Electric Generator	350 kVA
Mixer Options	Twin Shaft
Required area to operate	800 m²



TECHNICAL SPECIFICATIONS OF STATIONARY 160

Aggregate Hopper Volume	4 x 40 m³
Aggregate Weighing Hopper	6 m³
Aggregate Weighing Conveyor	1.200 x 6.500 mm – 2 units
Aggregate Transfer Conveyor	1.200 x 34.000 mm
Aggregate Stand-by Hopper	6 m³
Mixer Wet Concrete Volume	4 m³
Cement Weighing Hopper	2.400 kg
Water Weighing Hopper	1.200 lt
Additive Weighing Hopper	100 lt
Air Compressor	1000 lt, 11 kW
Cement Silo	Optional from 100 to 500 tons capacity.
Control Type	FULL AUTOMATIC

STATIONARY 160 LAYOUT



5	AGGREGATE BUNKER	1	-	4100 MM x 1000MM	-
4	BELT CONVEYOR	1	-	1000/20 M	-
3	SCREW CONVEYOR	3	-	Ø323x1500MM	-
2	100 TONS BOLTED CEMENT SILO	3	-	CEMENT SILO	-
1	STATIONARY FEED	1	-	4MS TWINSHAFT	-
P. NO	COMPONENT NAME	QTY	MATERIAL	DESCRIPTIONS	TOTAL MASS company
CONSTMACH					
name	signature	date: 13-10-2023	capacity: 160MP	order number:	
design	plant name				
drawn	CONSTMACH STATIONARY 160M3 PLANT				
check	LAYOUT				
approved	sheet name				
scale: 100% E-SIZE	sheet name				
P. NO	revision	date	name		

STATIONARY 160



COMPACT CONCRETE PLANTS



COMPACT 30
COMPACT 60
COMPACT 100

CONSTMACH compact concrete batching plants are specially designed models which can be transported within only 1 unit tractor - trailer or 40 ft OT container and preferred especially in cases of the area to be installed has too limited dimensions. Compact concrete plants are also called as containerized type concrete plants. Production capacity of our compact concrete plants changes between 20 to 100 m³/h. Thanks to its easy portability and rapidly installable design and necessity of minimum infrastructure investment, CONSTMACH compact concrete batching plants offer economic advantages to its users. CONSTMACH compact concrete plants are designed and manufactured in accordance with CE standards.

To transfer the aggregates from aggregate hopper to mixer by a skip hoist system instead of a belt conveyor is the main factor that minimizes the sizes of application area. In addition, sizes of aggregates hopper and other elements are also more compact in comparison with stationary type concrete plants.

CONSTMACH compact concrete batching plants require minimum site preparation. Just a flat concrete that is capable to carry the total load of the plant is enough. Cement silos that are supplied with the plant have full steel legs to remove the necessity of concrete legs building by the client. Thanks to the metal walls that are present at both sides of the plant, aggregates filling ramp can be prepared easily without constructing a concrete wall. Twin shaft (double shaft) Single shaft, pan and planetary type mixers can be used in our compact concrete plants so that they could be used for different purposes such as ready mixed concrete, dry mixed concrete, precast concrete production etc.

CONSTMACH compact type concrete batching plants are equipped with high technology control and automation systems including the first class SIEMENS & SCHNEIDER brand electronic and electric parts and PLC modulus. The plant is controlled with an advanced software that has sophisticated features and user friendly interface.



COMPACT 30

30 m³/h compact type concrete plant



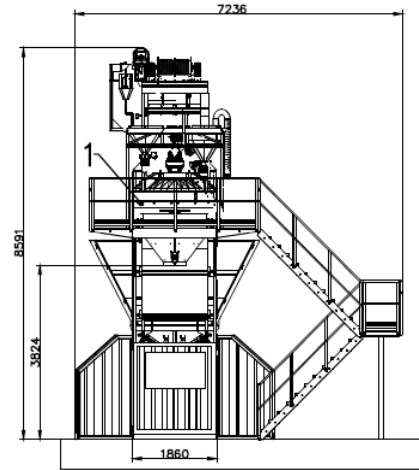
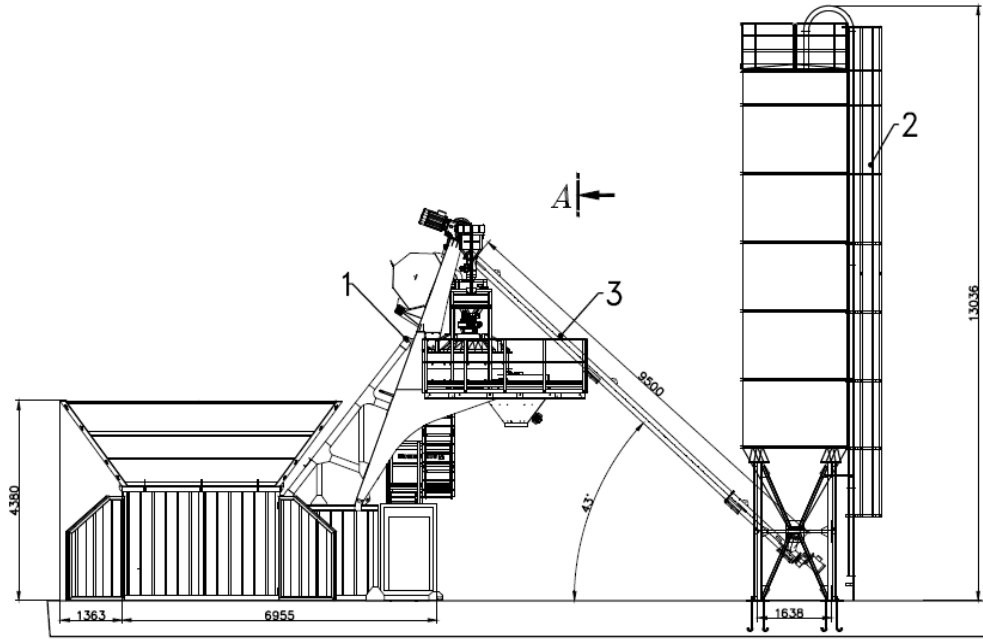
MAIN VALUES OF COMPACT 30

Production Capacity	30 m³/h
Sizes in Transport Position	12 (L) x 2.2 (W) x 2.2 (H) m
Weight	13 tons
Total Motor Power	50 kW
Required Electric Generator	80 kVA
Mixer Options	Pan - Single Shaft - Planetary
Required area to operate	200 m²

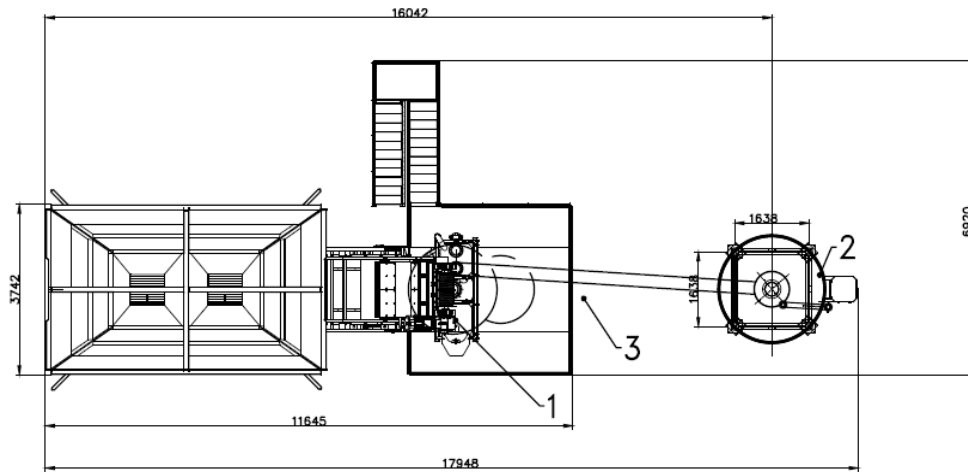
TECHNICAL SPECIFICATIONS OF COMPACT 30

Aggregate Hopper Volume	4 x 6 m³
Aggregate Weighing Hopper	1.500 kg
Aggregate Weighing Conveyor	600 x 4.000 mm
Skip Hoist Bucket Volume	0.75 m³
Mixer Wet Concrete Volume	0.5 m³
Cement Weighing Hopper	300 kg
Water Weighing Hopper	200 lt
Additive Weighing Hopper	20 lt
Air Compressor	300 lt, 4 kW
Cement Silo	Optional from 50 to 500 tons capacity.
Control Type	FULL AUTOMATIC

COMPACT 30 LAYOUT



A-A SECTION



3	BOTTOM CONVEYOR	1	-	21800MM	-
2	CONVEYOR BELT	1	-	810MM WELDED	-
1	CONSTRMACH COMPACT 30	1	-	SMPT	-
P. NO	COMPONENT NAME	QTY	MATERIAL	DESCRIPTIONS	TOTAL BASES
					order number 2023-0564-07
name	signature	date	11-09-2023	capacity	30M ³ /H
design	FZ/SLP	plant name	CONSTRMACH CONCRETE PLANTS & CRUSHER		
check	E/CONCRETE	LAYOUT			
check	EMS/CAAT				
approval		sheet name	202 P-002-A1		
date		sheet name			

COMPACT 30



COMPACT 60

60 m³/h compact type concrete plant



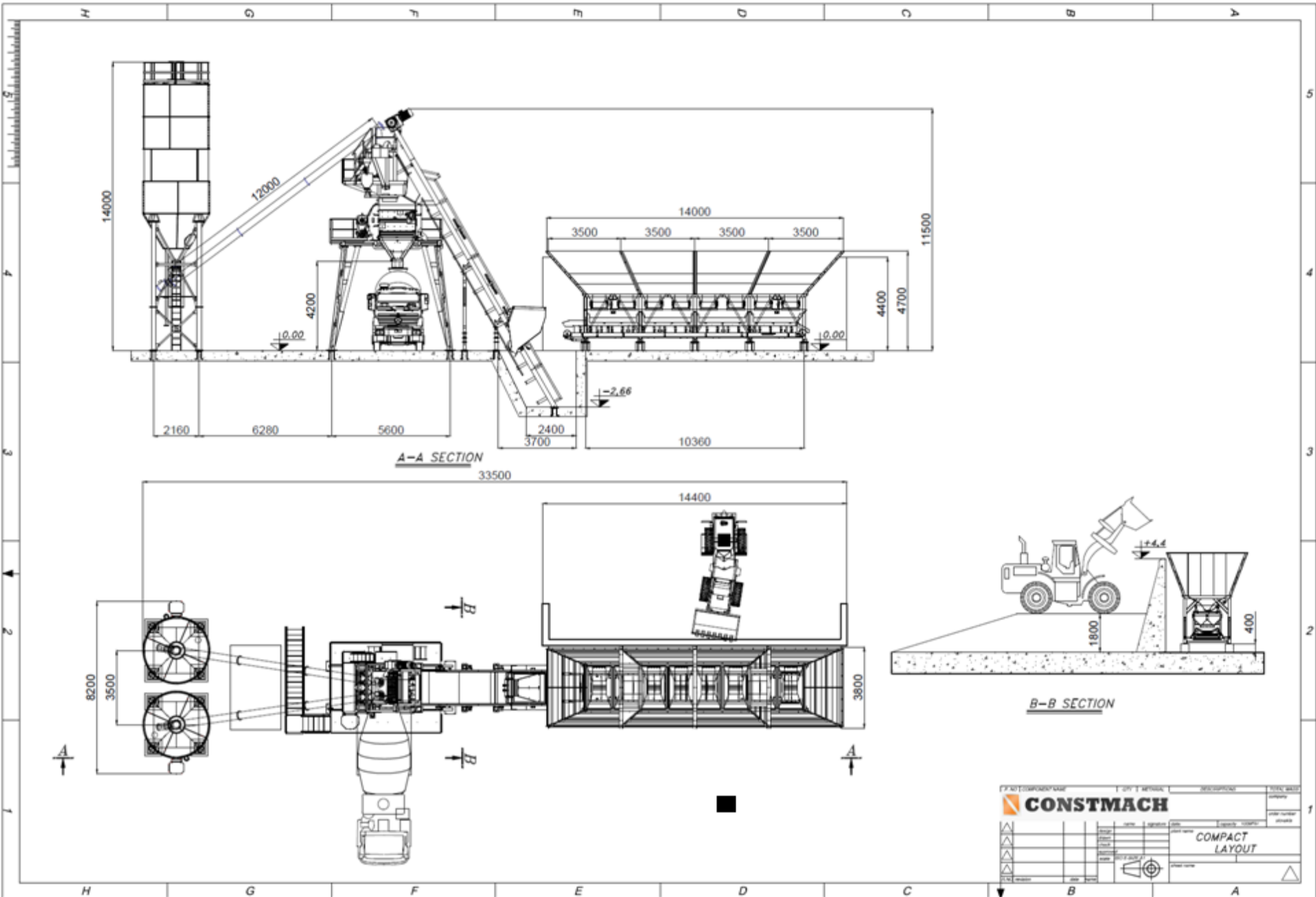
MAIN VALUES OF COMPACT 60

Production Capacity	60 m³/h
Sizes in Transport Position	13 (L) x 2.3 (W) x 2.3 (H) m (in case of square shape hopper)
Weight	28 tons
Total Motor Power	105 kW
Required Electric Generator	125 kVA
Mixer Options	Pan - Single Shaft - Twin Shaft - Planetary
Required area to operate	300 m²

TECHNICAL SPECIFICATIONS OF COMPACT 60

Aggregate Hopper Volume	4 x 15 m³
Aggregate Weighing Hopper	1.5 m³
Aggregate Weighing Conveyor	800 x 11.100 mm
Skip Hoist Bucket Volume	1.5 m³
Mixer Wet Concrete Volume	1 m³
Cement Weighing Hopper	600 kg
Water Weighing Hopper	300 lt
Additive Weighing Hopper	20 lt
Air Compressor	500 lt, 5.5 kW
Cement Silo	Optional from 50 to 500 tons capacity.
Control Type	FULL AUTOMATIC

COMPACT 60 LAYOUT



COMPACT 60



COMPACT 100

100 m³/h compact type concrete plant



MAIN VALUES OF COMPACT 100

Production Capacity	100 m³/h
Weight	32 tons
Total Motor Power	175 kW
Required Electric Generator	250 kVA
Mixer Options	Pan - Single Shaft - Twin Shaft - Planetary
Required area to operate	300 m²

TECHNICAL SPECIFICATIONS OF COMPACT 100

Aggregate Hopper Volume	4 x 20 m³
Aggregate Weighing Hopper	3 m³
Aggregate Weighing Conveyor	1.000 x 11.100 mm
Skip Hoist Bucket Volume	3 m³
Mixer Wet Concrete Volume	2 m³
Cement Weighing Hopper	1.200 kg
Water Weighing Hopper	600 lt
Additive Weighing Hopper	50 lt
Air Compressor	500 lt, 5.5 kW
Cement Silo	Optional from 50 to 500 tons capacity.
Control Type	FULL AUTOMATIC

COMPACT 100



DRY TYPE CONCRETE PLANTS



CONSTMACH Dry Type Concrete Batching Plants do not include a mixer. These models of concrete plants are preferred especially if the distance between the concrete plant and application area is too far. Ingredients of the concrete are transferred directly to the truck mixer after weighing without mixing process. Production capacity of our dry type concrete plants vary between 60 m³/h and 120 m³/h.

DRYMIX 60

DRYMIX 100

DRY MIX 60

60 m³/h capacity stationary concrete plant



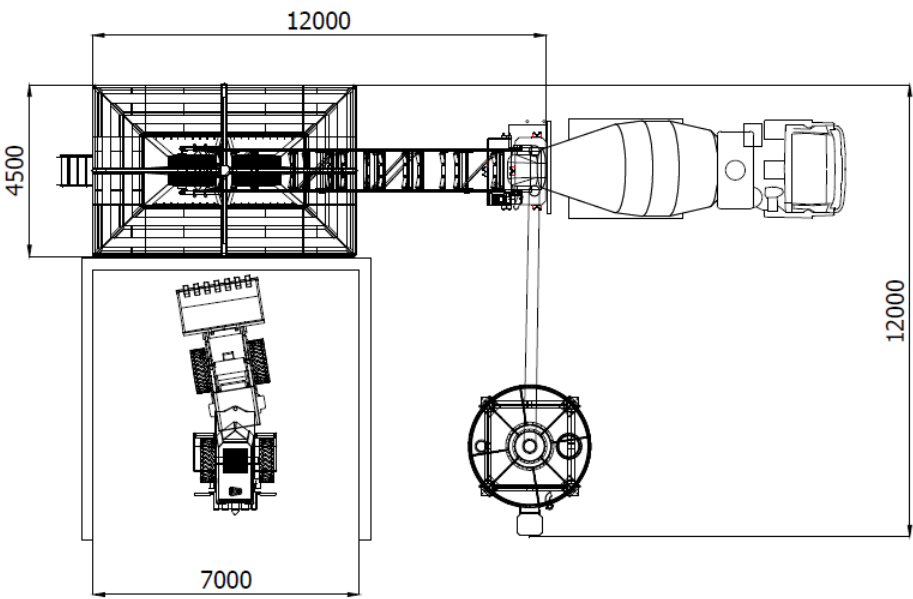
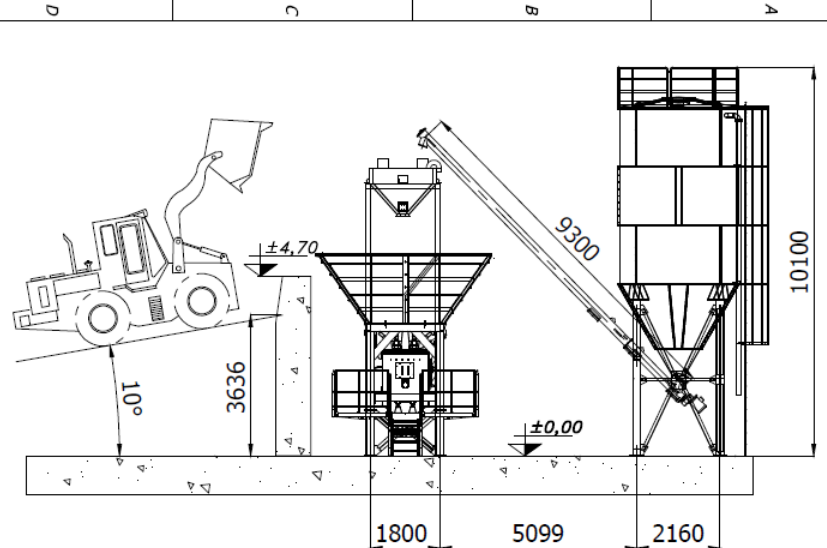
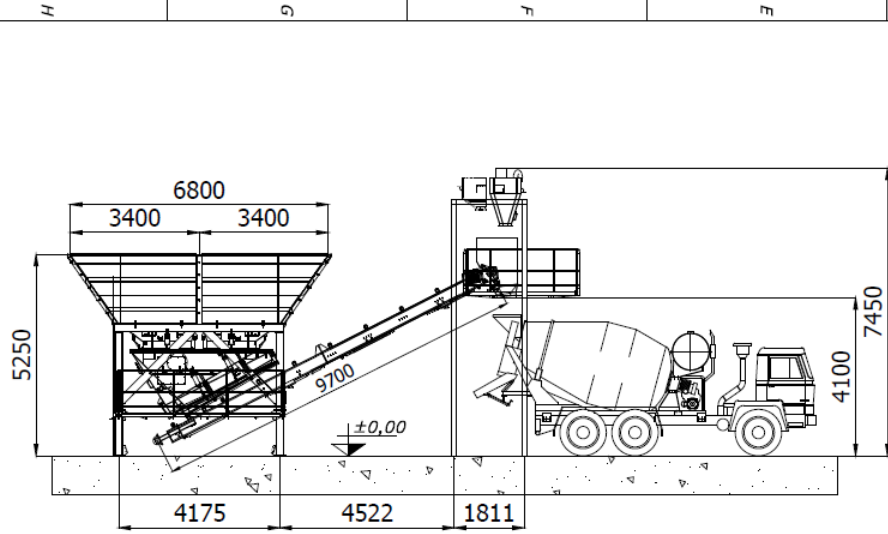
MAIN VALUES OF DRY MIX 60

Production Capacity	60 m³/h
Weight	27 tons
Total Motor Power	55 kW
Required Electric Generator	80 kVA
Required area to operate	200 m²

TECHNICAL SPECIFICATIONS OF DRY MIX 60

Aggregate Hopper Volume	4 x 15 m³
Aggregate Weighing Hopper	1.5 m³
Aggregate Weighing and Transfer Conveyor	650 x 9.700 mm
Cement Weighing Hopper	1.200 kg
Water Weighing Hopper	600 lt
Additive Weighing Hopper	30 lt
Air Compressor	300 lt, 4 kW
Cement Silo	Optional from 50 to 500 tons capacity.
Control Type	FULL AUTOMATIC

DRY MIX 60 LAYOUT



P. NO		COMPONENT NAME		QTY	REMARK	DESCRIPTIONS		TOTAL PRICE
1		CONSTMACH				company		
2		DRY CONCRETE PLANT LAYOUT				order number 519-012		
3		DESIGNER				capacity		
4		CHECKER				plant name		
5		DRAWN				plant name		
6		DATE						

DRY MIX 60



DRY MIX 100

100 m³/h dry type concrete plant



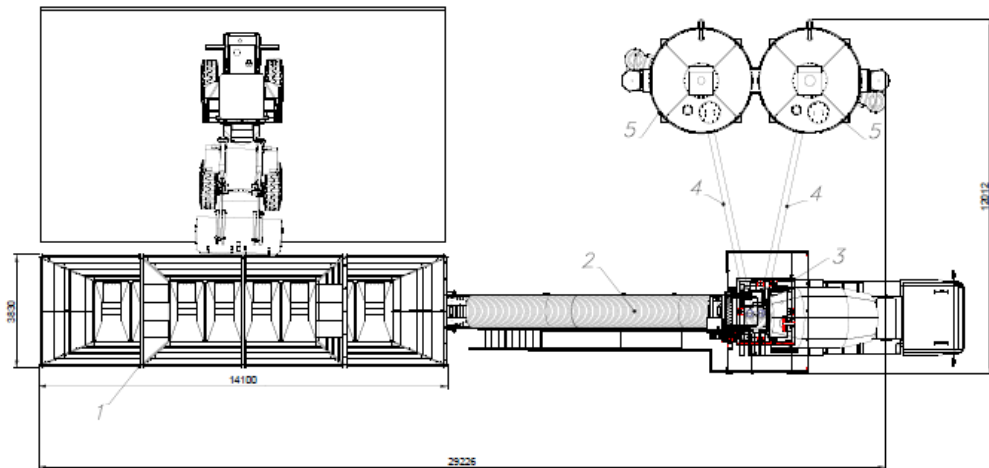
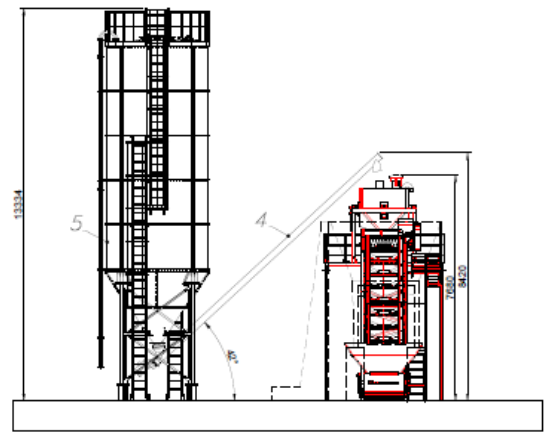
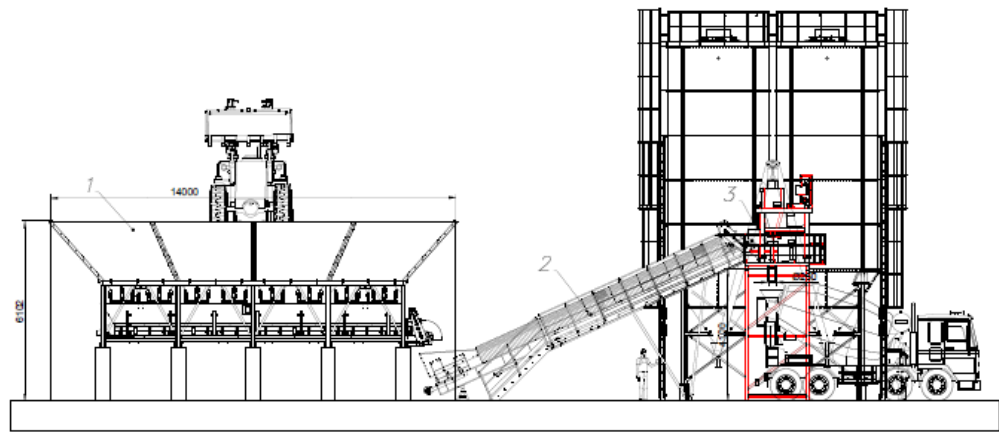
MAIN VALUES OF DRY MIX 100

Production Capacity	100 m³/h
Weight	33 tons
Total Motor Power	70 kW
Required Electric Generator	150 kVA
Required area to operate	700 m²

TECHNICAL SPECIFICATIONS OF DRY MIX 100

Aggregate Hopper Volume	4 x 20 m³
Aggregate Weighing Hopper	3 m³
Aggregate Weighing Conveyor	1000 x 11.100 mm
Aggregate Transfer Conveyor	1000 x 12.000 mm
Cement Weighing Hopper	1.200 kg
Water Weighing Hopper	600 lt
Additive Weighing Hopper	50 lt
Air Compressor	500 lt, 5.5 kW
Cement Silo	Optional from 50 to 500 tons capacity.
Control Type	FULL AUTOMATIC

DRY MIX 100 LAYOUT



1	AGGREGATE BUNKER	1	-	4037 MP	-
2	BELT CONVEYOR	1	-	800x13000	-
3	DRY MIX HOP	1	-		-
4	SCREW CONVEYOR	2	-	8273x10000	-
5	CEMENT SILO	2	-	100 TONS BOLTED	-
P. NO. COMPANY NAME				UFFY METALSAK	100x1000 TONNS
				TOTAL AREA	company
				DATE	08/08/2012
				DRY - 100	

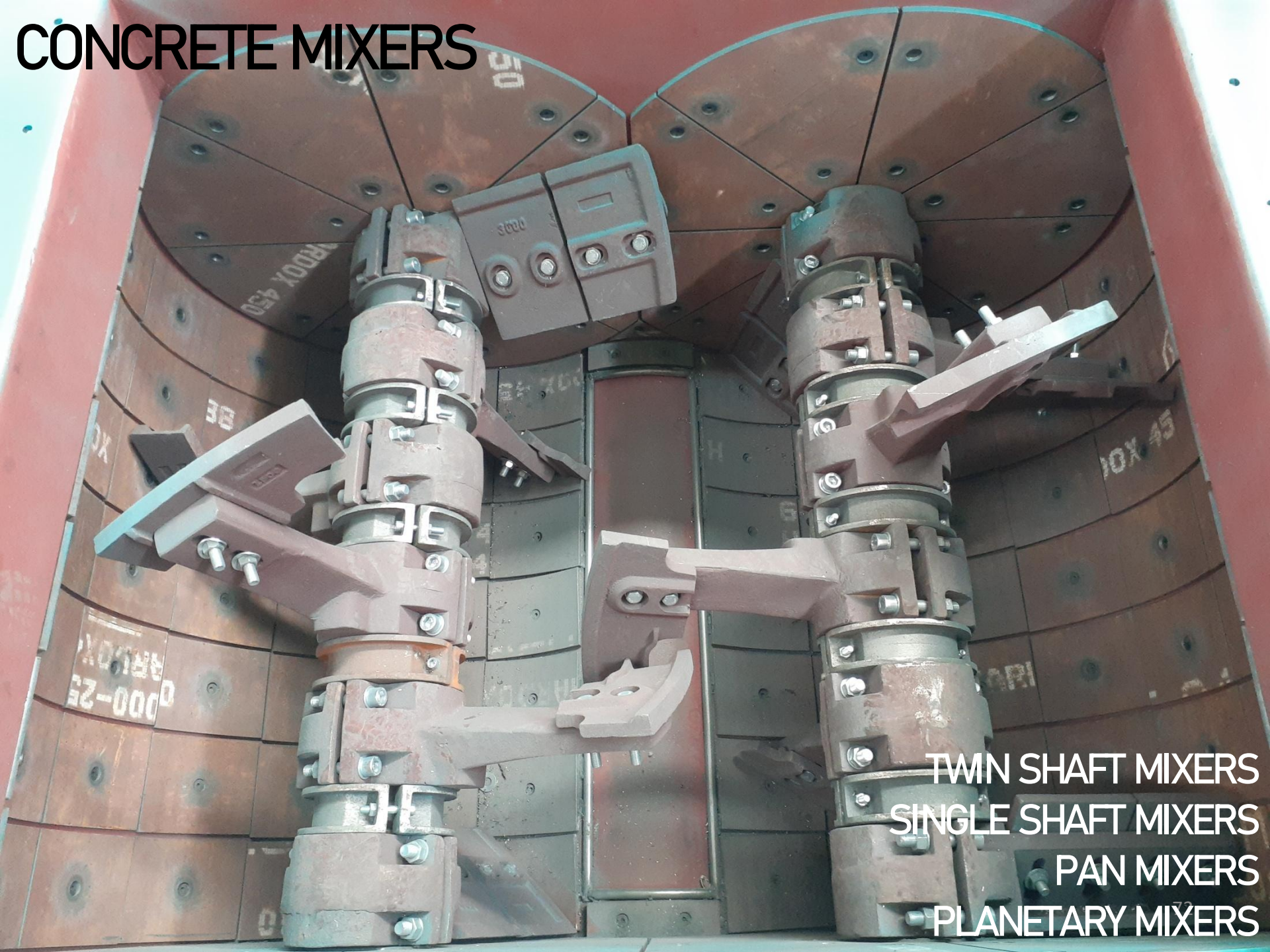


DESIGN	DATE	SIGNATURE	DATE
CHECK	DATE	SIGNATURE	DATE
APPROVAL	DATE	SIGNATURE	DATE
DATE	DATE	SIGNATURE	DATE

DRY MIX 100



CONCRETE MIXERS



TWIN SHAFT MIXERS
SINGLE SHAFT MIXERS
PAN MIXERS
PLANETARY MIXERS

TWIN SHAFT MIXERS

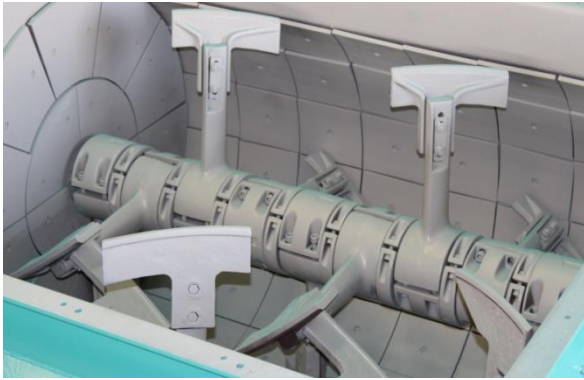


CONSTMACH Twin Shaft Mixers offer a robust and compact design with thorough mixing of all aggregates. With its large output capabilities from 1 m³ to 6 m³ and fast mixing time, CONSTMACH Twin Shaft mixer is ideal for use in the ready mix precast, block, paver and dam applications. The art in concrete mixing is to make a batch of concrete quickly and completely. **CONSTMACH Twin Shaft Mixers'** powerful compulsory spiral mixing action throws particles from each side of the mixer towards the center, where they combine; the water is forced through powerful jets into the mix, where it is absorbed completely, allowing the cement slurry to coat all the aggregate particles uniformly, forming the strongest concrete.

Heavy duty double gearboxes conveys the movement from heavy duty electric motors to the shafts of the mixer. Thanks to the automatic lubrication system, bearings of the mixer shaft is always lubricated as long as the mixer is operated regularly. As all our other mixer types, our twin shaft mixers are also equipped with emergency stop button, access hatch and SKF/FAG brand heavy duty type bearings.

TWIN SHAFT MIXERS

NI-HARD ARMS & BLADES & HARDOX 450 LINERS



HYDRAULIC DISCHARGING



AUTOMATIC LUBRICATION



HEAVY DUTY MOTOR & GEARBOX



ACCESS HATCH WITH SAFETY SWITCH



LEAKPROOF SEALANT



HYDRAULIC PACKAGE WITH MANUAL OPENING



TOP CLASS BEARINGS



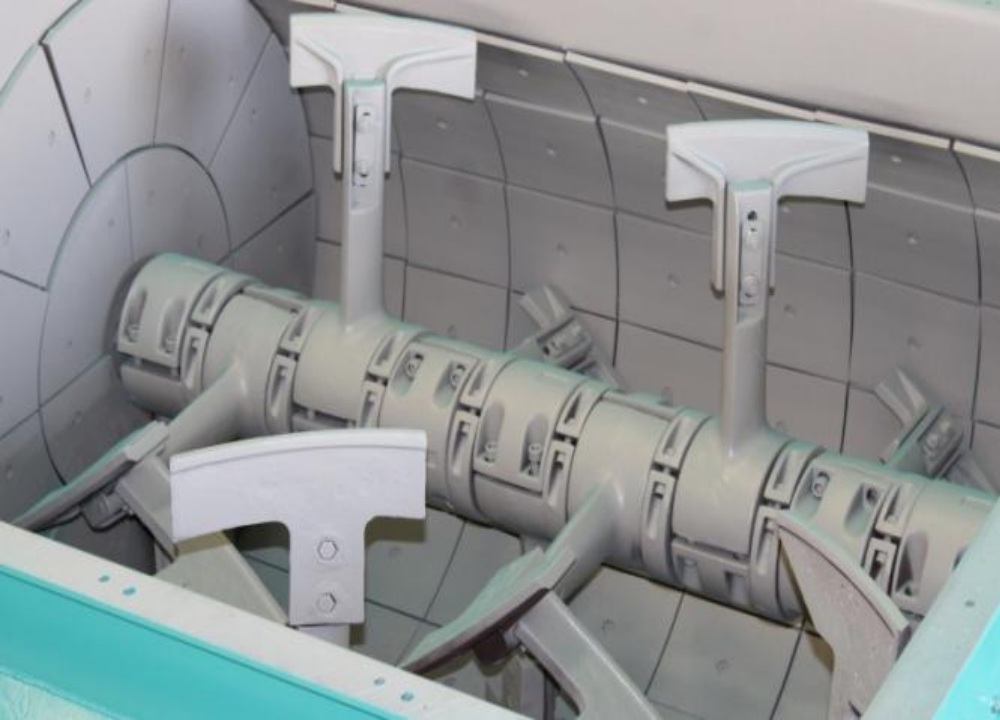
EMERGENCY STOP BUTTON



TWIN SHAFT MIXERS

TECHNICAL SPECIFICATIONS

MODEL OF MIXER	CTS 1	CTS 2	CTS 3	CTS 4	CTS 5
Charging Volume	1.500 lt	3.000 lt	4.500 lt	6.000 lt	7.500 lt
Fresh Concrete Volume	1.250 lt	2.500 lt	3.750 lt	5.000 lt	6.250 lt
Compacted Concrete Volume	1.000 lt	2.000 lt	3.000 lt	4.000 lt	5.000 lt
Motor Power	37 kW	2 x 37 kW	2 x 55 kW	2 x 75 kW	2 x 90kW
Side Body Wearing Plates	15 mm HARDOX	15 mm HARDOX	20 mm HARDOX	25 mm Ni Hard	25 mm Ni Hard
Main Body Wearing Plates	15 mm Ni Hard	20 mm Ni Hard	20 mm Ni Hard	25 mm Ni Hard	30mm Ni Hard
Mixing Arm Wearing Plates	25 mm Ni-Hard	30 mm Ni-Hard	30 mm Ni-Hard	30 mm Ni-Hard	30 mm Ni-Hard
Automatic Lubrication System	AVAILABLE				
Hydralulic Discharge Door	AVAILABLE				
Maintenance Door Safety Switch	AVAILABLE				



SINGLE SHAFT MIXERS



CONSTMACH Single Shaft Mixers are optimum solution for all types of concrete, especially general concrete production purpose. Easy maintenance and replacable liners, long lived Ni-Hard mixing elements promise users problem-free performance. Presence of double motor in 2 m³ models enables to proceed to production even in case of a problem with one of the motors. Robust pulley-chain mechanism conveys the movement from heavy duty electric motor & gearbox to the main shaft of the mixer. Thanks to the automatic lubrication system, bearings of the mixer shaft is always lubricated as long as the mixer is operated regularly. As all our other mixer types, **our single shaft mixers** are also equipped with emergency stop button, access hatch and SKF/FAG brand heavy duty type bearings.

SINGLE SHAFT MIXERS

NI-HARD ARMS & BLADES & HARDOX 450 LINERS



HYDRAULIC DISCHARGING WITH DOUBLE CYLINDERS



AUTOMATIC LUBRICATION



HEAVY DUTY MOTOR & GEARBOX



ACCESS HATCH



LEAKPROOF SEALANT



HYDRAULIC PACKAGE WITH MANUAL OPENING



TOP CLASS BEARINGS



EMERGENCY STOP BUTTON



SINGLE SHAFT MIXERS

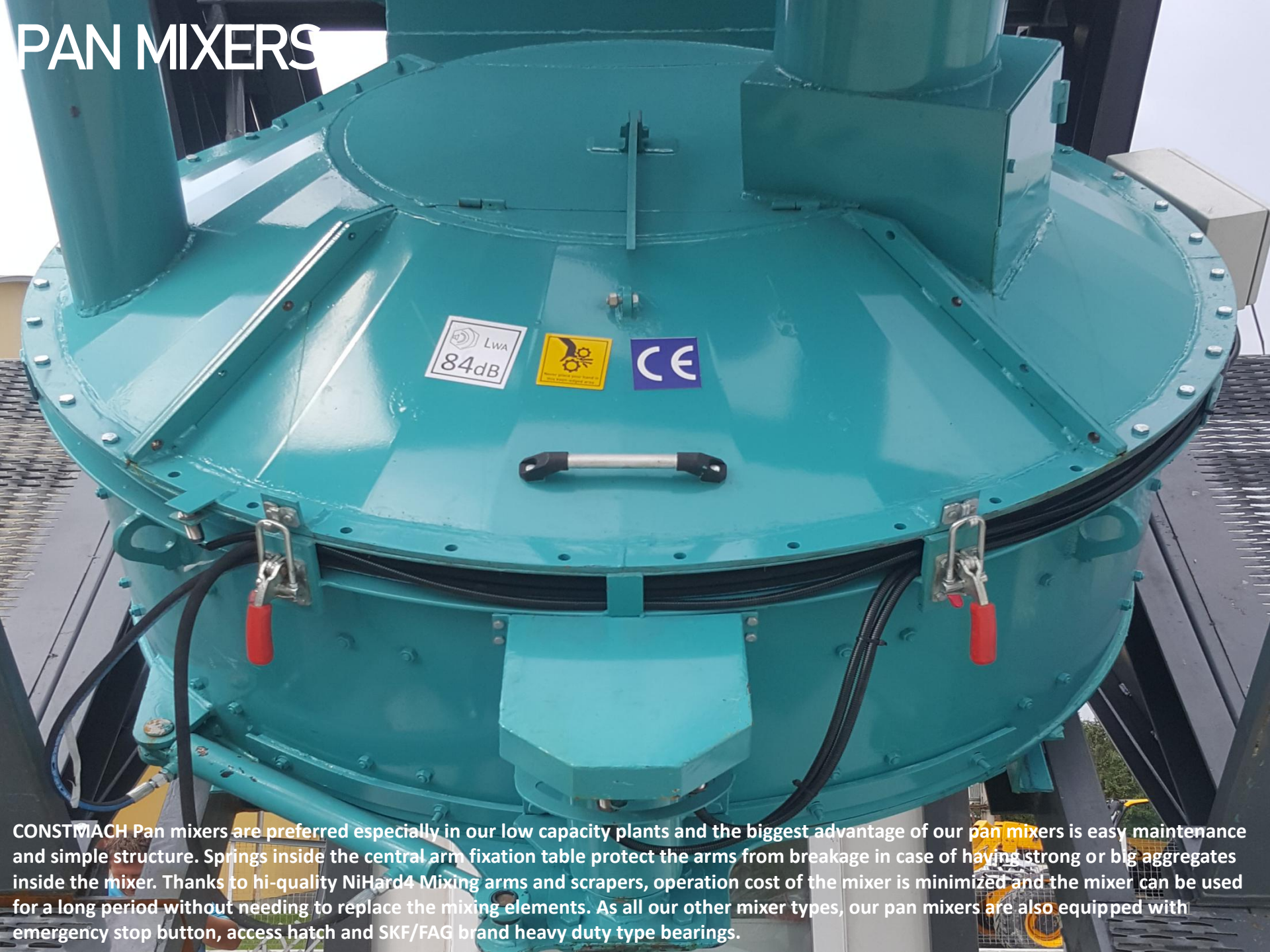
TECHNICAL SPECIFICATIONS

MODEL OF MIXER	CSS 0.5	CSS 1	CSS 2
Charging Volume	750 lt	1.500 lt	3.000 lt
Fresh Concrete Volume	625 lt	1.250 lt	2.500 lt
Compacted Concrete Volume	500 lt	1.000 lt	2.000 lt
Motor Power	18.5 kW	37 kW	2 x 37 kW
Side Body Wearing Plates	10 mm HARDOX 450	15 mm HARDOX 450	15 mm HARDOX 450
Main Body Wearing Plates	15 mm Ni Hard	15 mm Ni Hard	20 mm Ni Hard
Mixing Arm Wearing Plates	25 mm Ni-Hard	25 mm Ni-Hard	30 mm Ni-Hard
Automatic Lubrication System	AVAILABLE		
Discharge Door	HYDRAULIC		
Maintenance Door Safety Switch	AVAILABLE		

SINGLE SHAFT MIXERS



PAN MIXERS



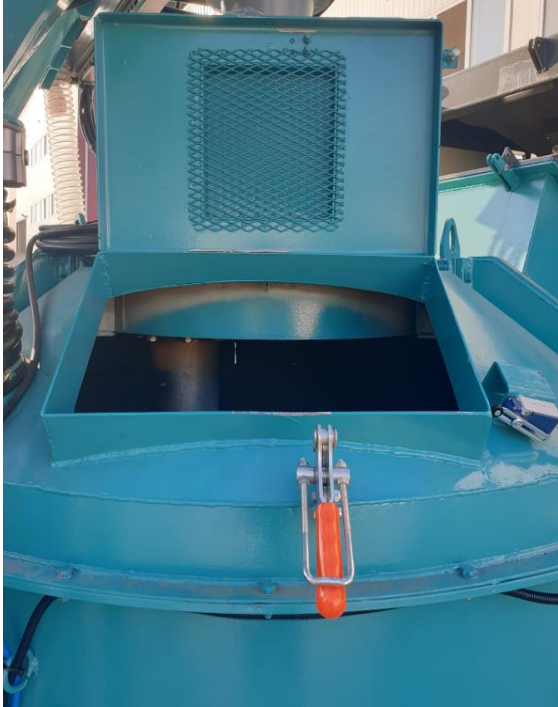
CONSTMACH Pan mixers are preferred especially in our low capacity plants and the biggest advantage of our pan mixers is easy maintenance and simple structure. Springs inside the central arm fixation table protect the arms from breakage in case of having strong or big aggregates inside the mixer. Thanks to hi-quality NiHard4 Mixing arms and scrapers, operation cost of the mixer is minimized and the mixer can be used for a long period without needing to replace the mixing elements. As all our other mixer types, our pan mixers are also equipped with emergency stop button, access hatch and SKF/FAG brand heavy duty type bearings.

PAN MIXERS

NI-HARD BLADES & HARDOX 450 LINERS



ACCESS HATCH



HEAVY DUTY ELECTRIC MOTOR



HYDRAULIC PACKAGE



HYDRAULIC DISCHARGING



TOP QUALITY BEARINGS



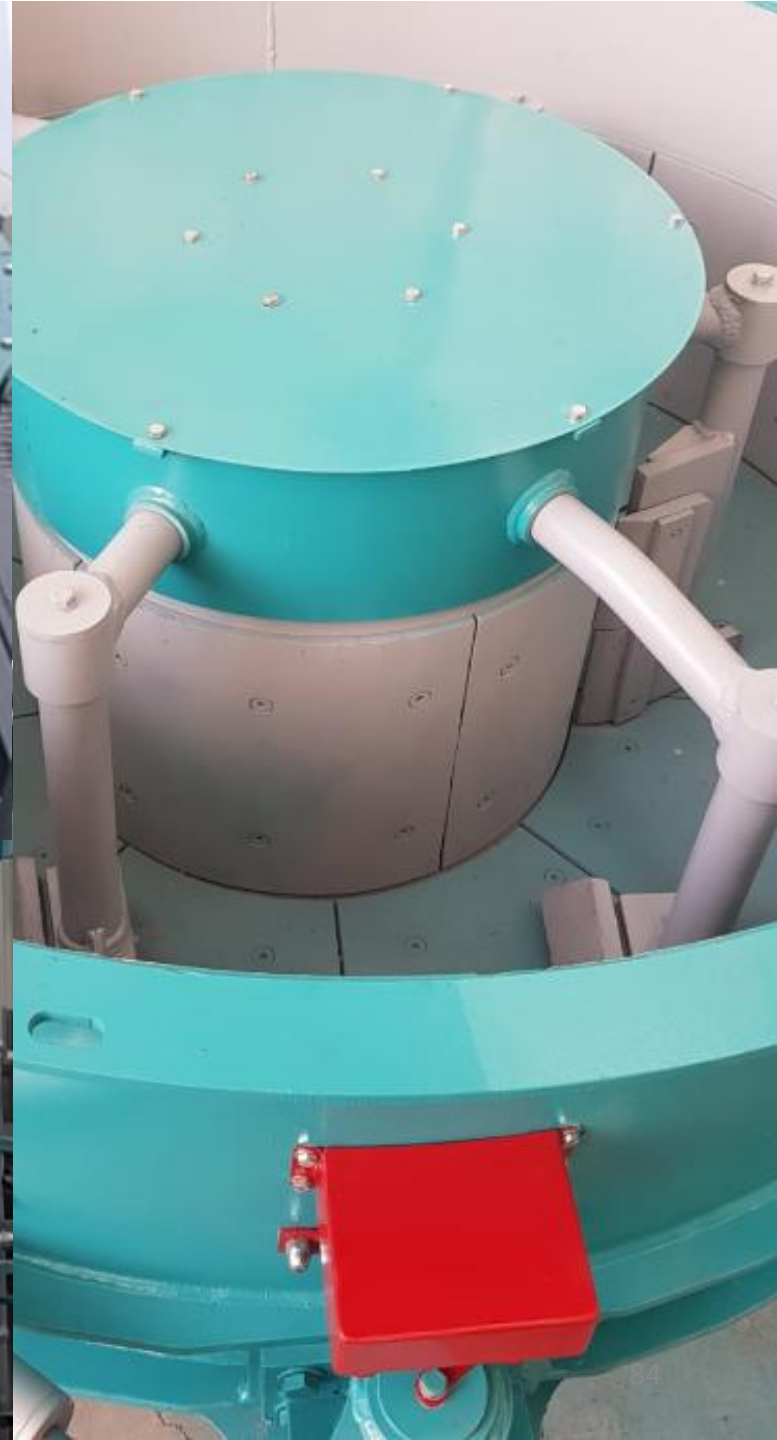
EMERGENCY STOP BUTTON



PAN MIXERS

TECHNICAL SPECIFICATIONS

MODEL OF MIXER	CPM 0.5	CPM 1	CPM 2
Charging Volume	750 lt	1.500 lt	3.000 lt
Fresh Concrete Volume	625 lt	1.250 lt	2.500 lt
Compacted Concrete Volume	500 lt	1.000 lt	2.000 lt
Motor Power	22 kW	37 kW	55 kW
Side Wearing Plates	10 mm HARDOX 450	10 mm HARDOX 450	12 mm HARDOX 450
Bottom Wearing Plates	10 mm ST52	10 mm ST52	12 mm ST52
Mixing Scrapers	25 mm Ni-Hard	25 mm Ni-Hard	25 mm Ni-Hard
Discharge Door	HYDRAULIC		
Maintenance Door Safety Switch	AVAILABLE		



PAN MIXERS

PLANETARY MIXERS

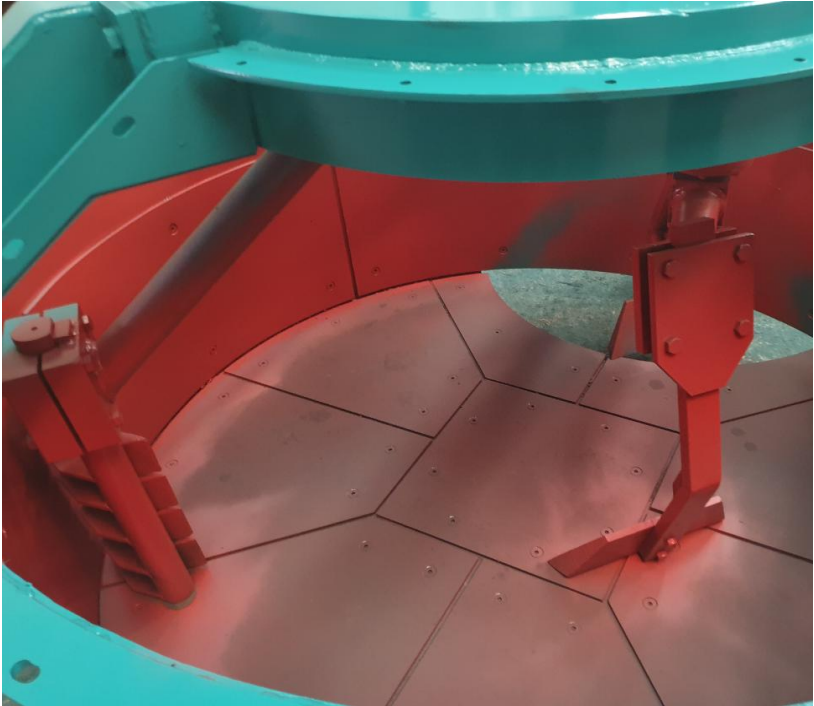


CONSTMACH

CONSTMACH high speed Planetary concrete mixer is the best in its class. From its beginnings as an uncompromising basic design it has been continuously refined over many years, so that today's product contains the little touches that you expect. The planetary (or countercurrent) design has one or two mixing stars that rotate themselves while also rotating around a central point, allowing each arm to cover the whole mixer floor in a number of revolutions. This powerful mixing action is both fast and thorough, results in a mixing time, after water is added, of 30 seconds or less for most types of concrete. The result is greater throughput, providing more concrete per hour for the same size plant, as well as better consistency and greater strength or, on the other hand, a saving on cement. Constmach's planetary design is superior to turbine and twin-shaft designs for production of all types of dry-cast concrete. The reason for this is its intense mixing action, which breaks up zero-slump mix quickly.

PLANETARY MIXERS

NI-HARD BLADES & HARDOX 450 LINERS



HEAVY DUTY ELECTRIC & MOTOR AND GEARBOX



HYDRAULIC DISCHARGING



TOP QUALITY BEARINGS



ACCESS HATCH

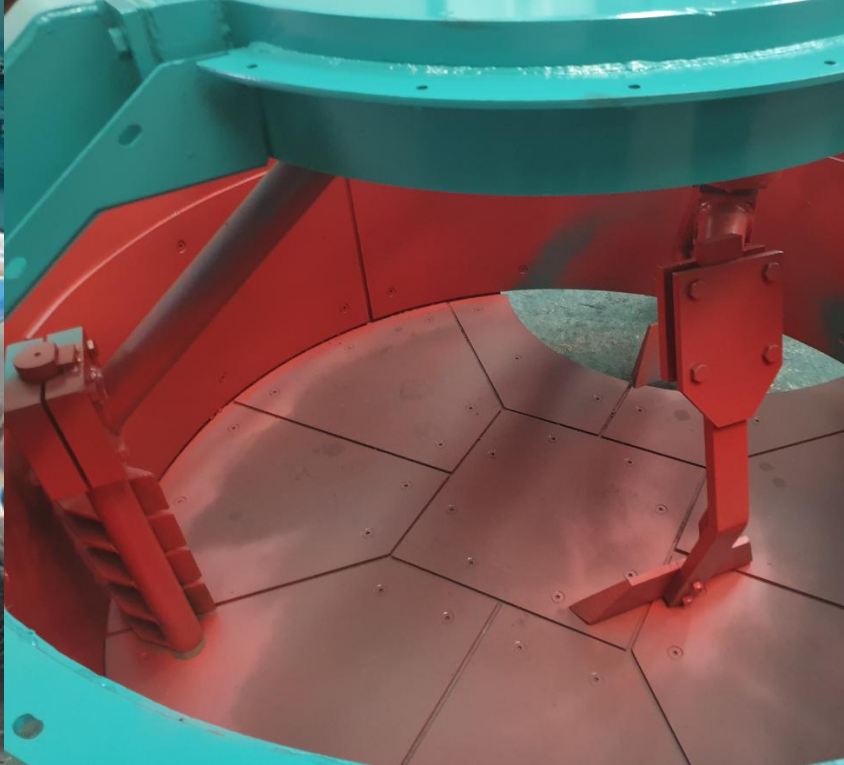


PLANETARY MIXERS

TECHNICAL SPECIFICATIONS

MODEL OF MIXER	CPLN 0.5	CPLN 0.75	CPLN 1	CPLN 1.5	CPLN 2
Charging Volume	750 lt	1.000lt	1.500 lt	2.250 lt	3.000 lt
Fresh Concrete Volume	625 lt	875 lt	1.250 lt	2.000 lt	2.500 lt
Compacted Concrete Volume	500 lt	750 lt	1.000 lt	1.500 lt	2.000 lt
Motor Power	22 kW	30 kW	55 kW	2 x 30 kW	2 x 55 kW
Side Wearing Plates	10 mm HARDOX 450	10 mm HARDOX 450	10 mm HARDOX 450	10 mm HARDOX 450	12 mm HARDOX 450
Bottom Wearing Plates	10 mm ST52	10 mm ST52	10 mm ST52	10 mm ST52	12 mm ST52
Mixing Scrapers	25 mm Ni- Hard	25 mm Ni- Hard	25 mm Ni- Hard	25 mm Ni- Hard	25 mm Ni- Hard
Discharge Door	HYDRAULIC				
Maintenance Door Safety Switch	AVAILABLE				

PLANETARY MIXERS



AGGREGATE PRE-FEEDING CONVEYOR

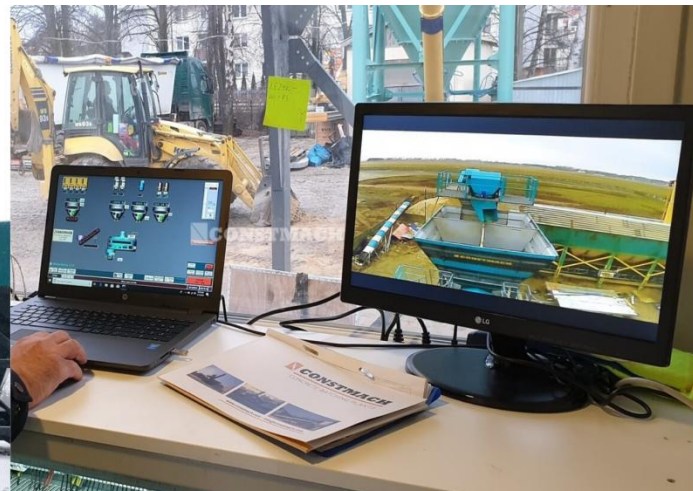


AGGREGATE PRE-FEEDING CONVEYOR

Aggregate pre-feeding systems are our alternative solutions to the loading ramps which are necessary for charging the hoppers by loaders. In case of using of **aggregate prefeeding conveyors** in our concrete batching plants, loading ramp construction for loaders does not require. Thus the jobsite infrastructure investment and also oil consumption for loaders are minimized. Our pre-feeding systems can be used in all types of our concrete plants. Our aggregate prefeeding systems are classified as mobile and stationary types. Mobile systems can be moved by only a vehicle just like our mobile concrete plants. **CONSTMACH aggregate prefeeding systems** are equipped with remote controller and also CCTV system which is integrated to the control system of concrete plant so that the system can be controlled and operated by concrete plant operator easily.



PREFEEDING SYSTEM



CCTV CONTROL



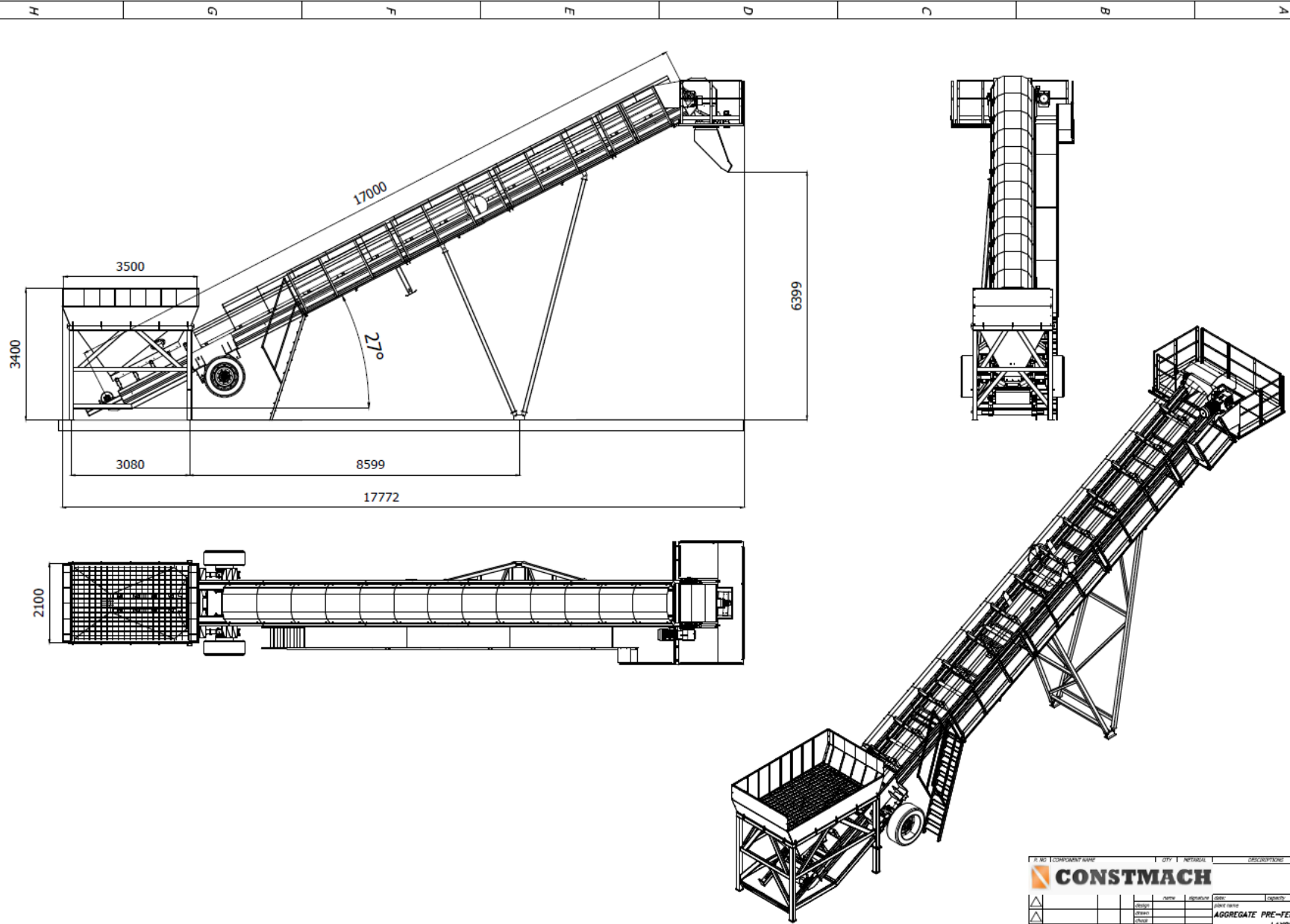
REMOTE CONTROL



360° ROTATION



AGGREGATE PRE-FEEDING CONVEYOR LAYOUT



P. NO. COMPANY NAME		OFF. ADDRESS		DESCRIPTION		SHEET NO.				
CONSTMACH						company				
						order number				
△	design	name	signature	date	signature	sheet name				
△	drawn	AGGREGATE PRE-FEEDING CONVEYOR LAYOUT					sheet number			
△	checked						sheet name		sheet name	
△	approved						sheet name		sheet name	
△	other						sheet name		sheet name	
SCALE		JOB		DATE		PROJECT				



CEMENT SILOS



CONSTMACH manufactures different sizes and types of cement storage silos from 50 to 3.000 tons storage capacity. Cement silos are used not only in concrete plants but also they are used as an independent purposes such as cement terminals, cement factories and limestone powder stocking projects.

CONSTMACH is the most experienced **Turkish company that manufactures** high volume of **cement silos** such as 500, 1000, 2000 and 3.000 tons very frequently.

In addition to our common designs, our company designs and manufactures also customized cement silos with special sizes of diameter and height.

It is possible to produce cement silos up to 100 tons capacity as both welded and bolted. **Cement silos** whose capacity is more than 100 tons are manufactured as bolted type most of the time. To manufacture the **silos as bolted** brings advantage of space saving during transportation.

All components of bolted type cement silos are made by sensitive CNC laser cutting technology and the shape is given to bended parts by using bending molds. There is almost zero tolerance on the sensitivity of the matching holes.

All our cement silos are equipped with maintenance platform between the legs, cement filling pipe, inner and outer manholes, safety guards, roof flanges for air filter and pressure safety valve, a roof gate for inner manhole and also a cone flange for butterfly valve.

Most of the time, as per our clients' needs, we deliver our silos together with all other necessary cement silo equipment such as cement screw conveyor with the desired diameter & length, air dust filter, pressure safety valve, top & bottom level indicators, air fluidization nozzles, pulse valve and cone butterfly valve for manual cement discharging. In case of using the silo for cement terminal or similar application, the **screw conveyor** can be connected to a loading below to charge the cement to cement trucks.

CEMENT SILOS



MOBILE & HORIZONTAL CEMENT SILO



CONSTMACH Mobile & Horizontal type cement silo is a great solution to make the concrete plants fully mobile and minimize the site preparation & installation costs.

Horizontal type silo body is equipped with vibrators, pneumatic elements and air nozzles to ensure proper cement flow. Thanks to V type horizontal screw conveyor that exists under the silo, cement transfer is realized.

Silo body is installed on a trailer with double axles and wheels to ensure mobility.

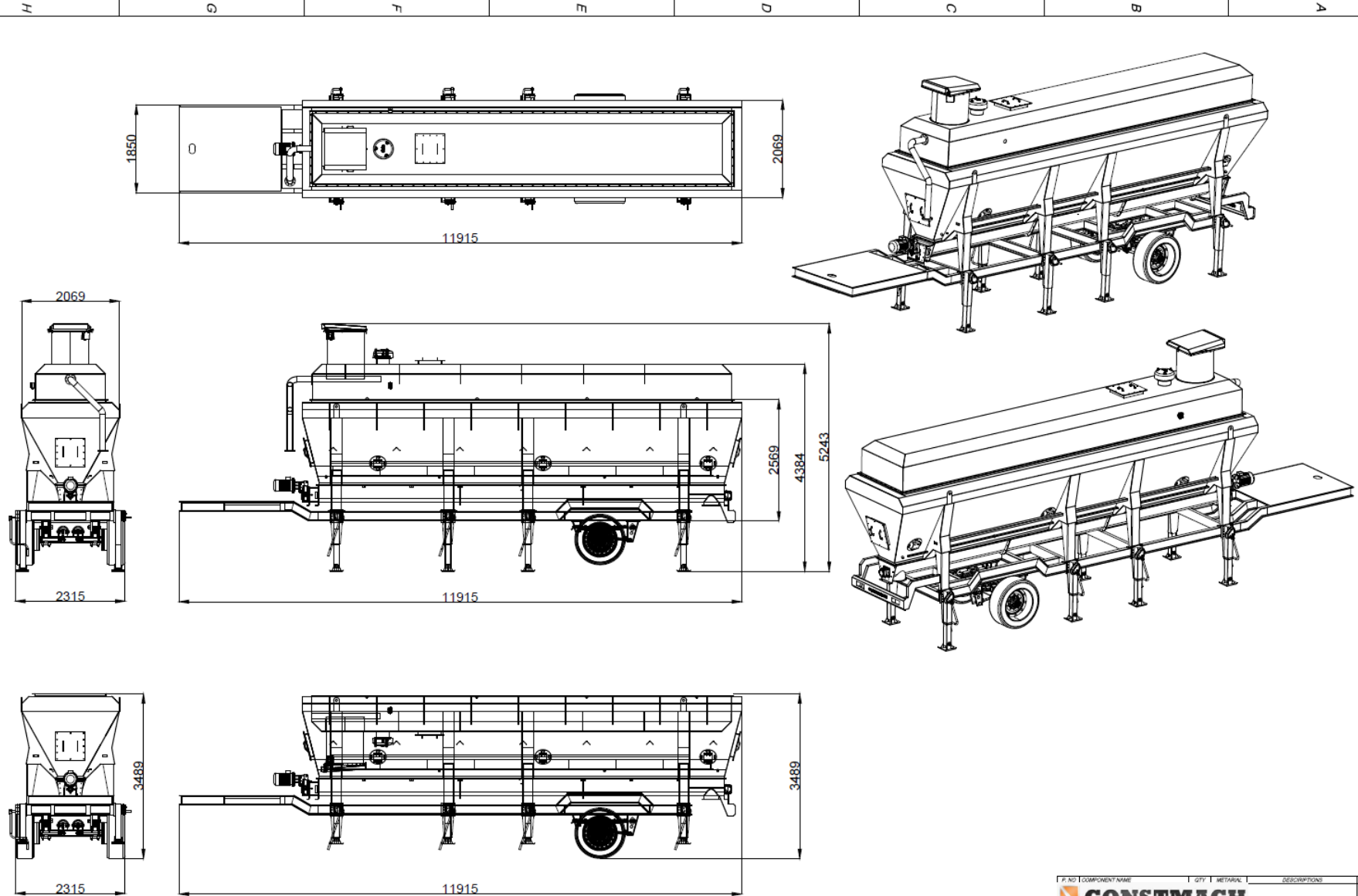
Silo top filter and safety valve installed on the silo roof like in classical vertical type silos.

MOBILE & HORIZONTAL CEMENT SILO

TECHNICAL SPECIFICATIONS

SILO CAPACITY	39 tons, 30 m³ (cement density as 1,3 ton/m³)
SILO WEIGHT	7.460 kg
SILO BODY MATERIAL	ST -37, 5 mm SHEET METAL
TOP COVER MATERIAL OF SILO	ST -37, 4 mm SHEET METAL
CHARGING PIPE	4" STEEL PIPE
CHASSIS MATERIAL	NPU 180 mm
Silo is equipped with 6 pcs 0.37 kW vibrators, V-type screw conveyor, fluidization nozzles and pneumatic installation elements	
Maintenance door is present on both sides and on the roof.	
Double axles & 4 tyres are present on the trailer.	

MOBILE & HORIZONTAL CEMENT SILO LAYOUT



TRANSPORT POSITION

ITEM NO	COMPONENT NAME	QTY	MATERIAL	DESCRIPTIONS	TOTAL MASS
					kg/m³
					order number
	name	signature	DATE	plant name	capacity
	Design				
	Drawn				
	Checked				
	Approved				
	Issue				
	REV				
	BY				
	DATE				



MOBILE & HORIZONTAL CEMENT SILO LAYOUT



MOBILE & HORIZONTAL CEMENT SILO

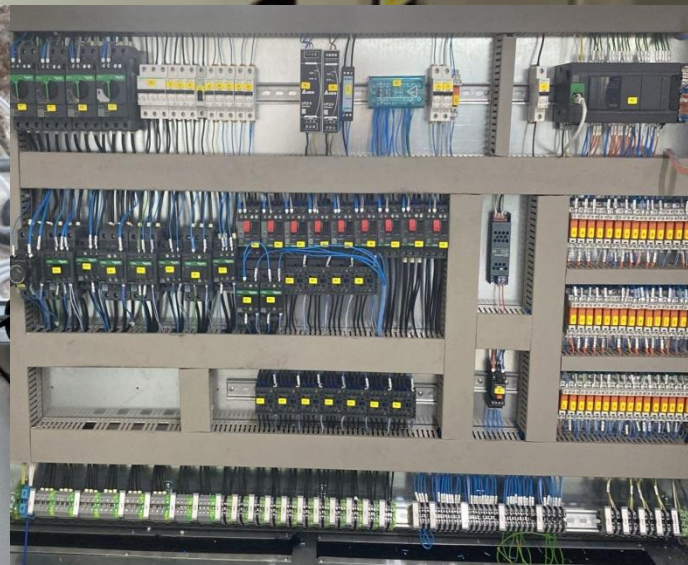


AUTOMATION SYSTEMS



CONSTMACH Concrete Batching plants are fully automated and the system is controlled by a PC. The system is equipped with Siemens / Schneider brand electrical installation devices and sensors. Remote stations with distributed I/O stations are also part of the plant automation. The system which includes a PC, printer, UPS and the software enables the operator to perform all command and control functions, take reports, detect failures etc. on the PC screen with animation support. Advanced PLC programs and error control algorithms enable high sensitivity in weighing and dosage control even at maximum capacity. Remote servicing and maintenance is possible via internet.

AUTOMATION SYSTEM



REFERENCES



CONSTMACH



MOBILE 120 / CONCRETE BATCHING PLANT

**UNITED STATES
OF AMERICA**



CONSTMACH



MOBILE 100 / CONCRETE BATCHING PLANT

FRANCE



CONSTMACH



MOBILE 100 / CONCRETE BATCHING PLANT

SPAIN



CONSTMACH



DOUBLEMIX 100 / CONCRETE BATCHING PLANT

UNITED KINGDOM



CONSTMACH



FRANCE

MOBILE 100 / CONCRETE BATCHING PLANT

CONSTMACH



SPAIN

MOBILE 100 / CONCRETE BATCHING PLANT

CONSTMACH



POLAND

MOBILE 60 / CONCRETE BATCHING PLANT

CONSTMACH



FRANCE

COMPACT 100 / CONCRETE BATCHING PLANT

CONSTMACH



MOBILE 120 / CONCRETE BATCHING PLANT


FRANCE

CONSTMACH



MOBILE 60 / CONCRETE BATCHING PLANT


CROATIA

CONSTMACH



STATIONARY 100 / CONCRETE BATCHING PLANT


FRANCE

CONSTMACH



MOBILE 100 / CONCRETE BATCHING PLANT


FRANCE

CONSTMACH



MOBILE 100 / CONCRETE BATCHING PLANT

LITHUANIA

CONSTMACH



MOBILE 100 / CONCRETE BATCHING PLANT

POLAND

CONSTMACH



MOBILE 100 / CONCRETE BATCHING PLANT

SPAIN

CONSTMACH



COMPACT 100 / CONCRETE BATCHING PLANT

POLAND

CONSTMACH



MOBILE 100 / CONCRETE BATCHING PLANT

SLOVAKIA

CONSTMACH



MOBILE 60 / CONCRETE BATCHING PLANT

POLAND

CONSTMACH



MOBILE 120 / CONCRETE BATCHING PLANT

UKRAINE

CONSTMACH



MOBILE 120 / CONCRETE BATCHING PLANT

POLAND

CONSTMACH



MOBILE 30 / CONCRETE BATCHING PLANT

SERBIA

CONSTMACH



MOBILE 60 / CONCRETE BATCHING PLANT

HUNGARY

CONSTMACH



MOBILE 60 / CONCRETE BATCHING PLANT

SERBIA

CONSTMACH



MOBILE 100 / CONCRETE BATCHING PLANT

POLAND

CONSTMACH



MOBICOM 30 / CONCRETE BATCHING PLANT

BENIN

CONSTMACH



MOBICOM 30 / CONCRETE BATCHING PLANT

KUWAIT

CONSTMACH



MOBICOM 45 / CONCRETE BATCHING PLANT

ROMANIA

CONSTMACH



DEMOCRATIC REPUBLIC OF CONGO



MOBICOM 30 / CONCRETE BATCHING PLANT

CONSTMACH



SERBIA

STATIONARY 100 / CONCRETE BATCHING PLANT

CONSTMACH



POLAND

COMPACT 60 / CONCRETE BATCHING PLANT

CONSTMACH



ROMANIA

COMPACT 60 / CONCRETE BATCHING PLANT

CONSTMACH



BOSNIA AND HERZEGOVINA

STATIONARY 100 / CONCRETE BATCHING PLANT

CONSTMACH



MOBICOM 30 / CONCRETE BATCHING PLANT

SENEGAL

CONSTMACH



COMPACT 30 / CONCRETE BATCHING PLANT

BULGARIA

CONSTMACH



MOBICOM 30 / CONCRETE BATCHING PLANT

GREECE

CONSTMACH



MOBICOM 45 / CONCRETE BATCHING PLANT

LITHUANIA

CONSTMACH



MOBILE 60 / CONCRETE BATCHING PLANT

MOROCCO

CONSTMACH



MOBILE 60 / CONCRETE BATCHING PLANT



NIGER

CONSTMACH



DRY MIX 60 / CONCRETE BATCHING PLANT

SPAIN

CONSTMACH



DRY MIX 100 / CONCRETE BATCHING PLANT



MALTA



CONSTMACH

HOLLAND

CS - 1000 / 4 SETS 1000 TONNES CAPACITY CEMENT SILO



CONSTMACH



ITALY

300 TONS CAPACITY CEMENT SILO TERMINALS



CONSTMACH

UNITED KINGDOM

CS-50 / CEMENT SILO



CONSTMACH

HUNGARY

CEMENT LOADING TERMINALS



CONSTMACH

CONCRETE BATCHING PLANTS

www.constmach.com - info@constmach.com



CONSTMACH CONCRETE PLANTS & CRUSHERS

www.constmach.com - info@constmach.com

Phone : +90 542 7661315 / +90 542 281 37 91 / +90 546 616 32 82

IZMİR - TURKEY