



COMPANY PRESENTATION



CONTENT

- Company
- Our Production Site & Machinery Park
- Scope & Product Range
 - ✓ Assembly Machines
 - ✓ Assembly Lines
 - ✓ Test Machines
 - ✓ Measurement Machines
 - ✓ Specific Machines
 - ✓ Automatic Loading & Unloading Systems
- Awards & Certifications
- References



CHARTER MEMBERS : Servet ÖZKURT & Lütfü ARSLAN

Foundation : 09.12.2003

Activity Area : Mainly assembly lines, conveyors & special purpose machine construction according to customer needs and demands

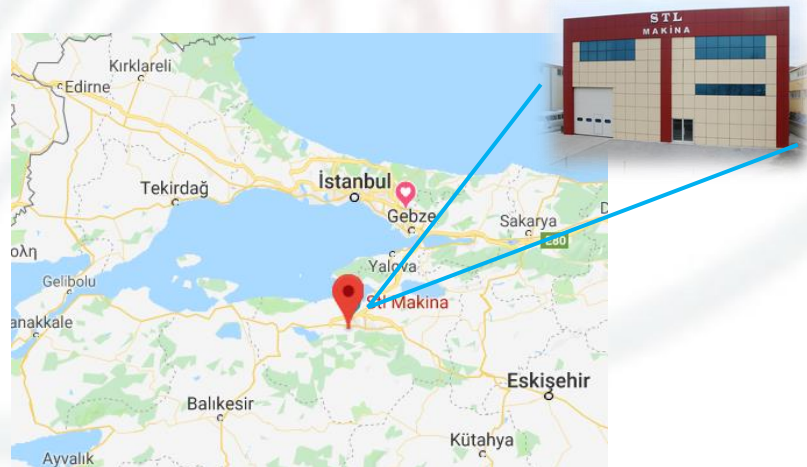
Members : 50 employees (20 white collar, 30 blue collar)

- Design Engineering Team : 4 Mechanical Eng., 2 Automotive Eng., 1 Technician.
- Production & Assembly Team : 2 Automotive Eng.
- Automation Team : 3 Elec.-Electronics Eng., 2 Mechatronics Eng., 5 Electrical Technicians

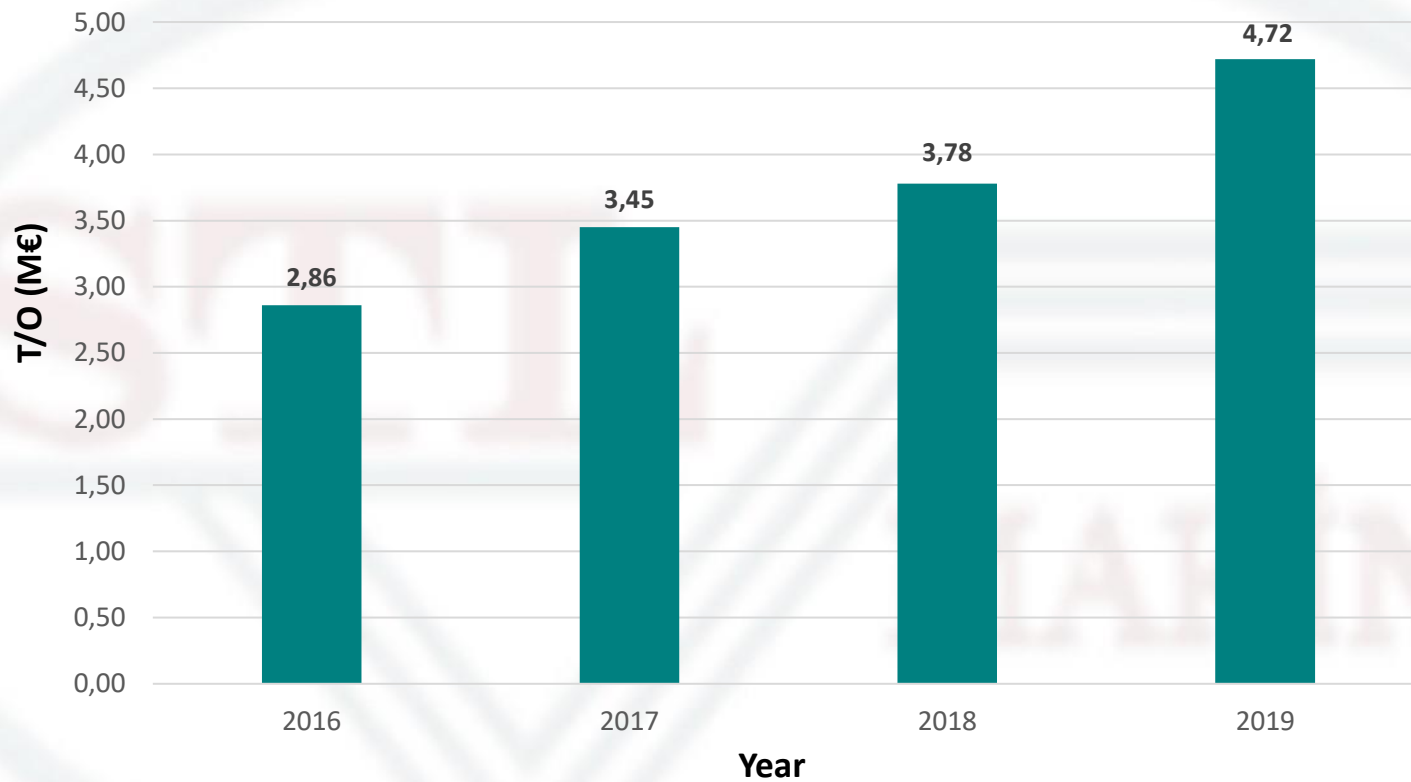
Realised T/O 2018 : 3,8 M€

Realised T/O 2019 : 4,7 M€

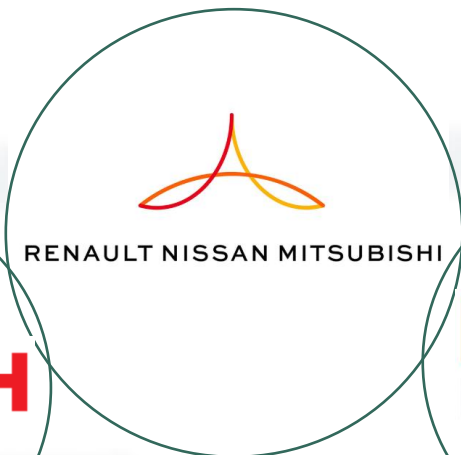
Plant : Çalı/ Nilüfer / Bursa / TURKEY



YEARLY TURNOVER (M€)



MAIN CUSTOMERS



MACHINERY PARK



DMG 260 5 AXIS CNC Milling
(X= 2,600 mm, Y = 700 mm, Z = 700 mm)



2 QUASER CNC Milling
(X= 1,300 Y = 700 mm Z = 500 mm)



SUPERTEC Surface Grinding Machine



GOODWAY GS 260 CNC Lathe

5/13/2020



SUPERTEC Cylindrical Grinding Machine

MEASUREMENT EQUIPMENTS



DEA 3D Measurement Machine
2000 x 1000 x 1000 mm



Measurement Equipments

OUR PRODUCTION AREA





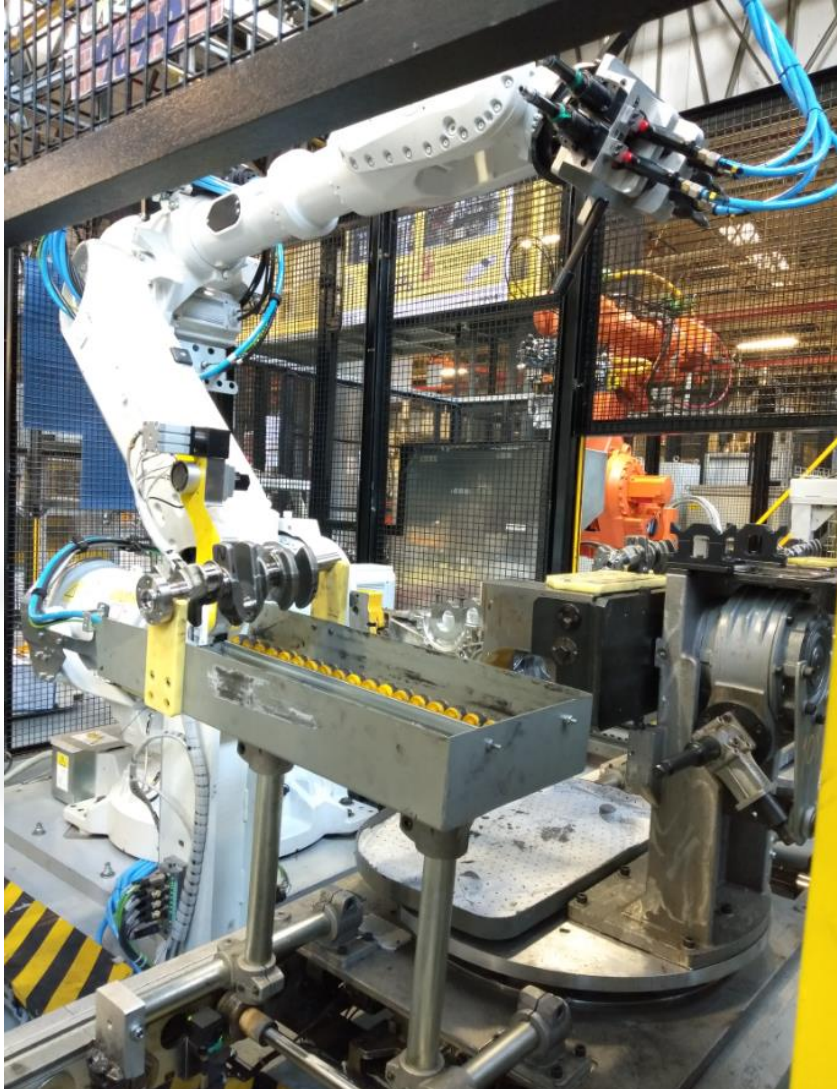
SCOPE

- Special-Purpose machine manufacturing
- Special conveyors manufacturing
- Engineering solutions (automation, electrical and mechanic)
- Machine tools manufacturing
- Unique air and electrical implementation
- Hydraulic fixture manufacturing
- Disassembly-Assembly process and production lines
- Spare parts production
- Machine and conveyor modernization/retrofit
- CNC & Universal machine revision
- New machine services/start-up



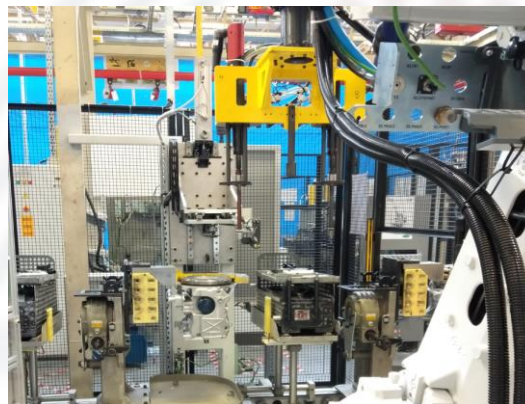
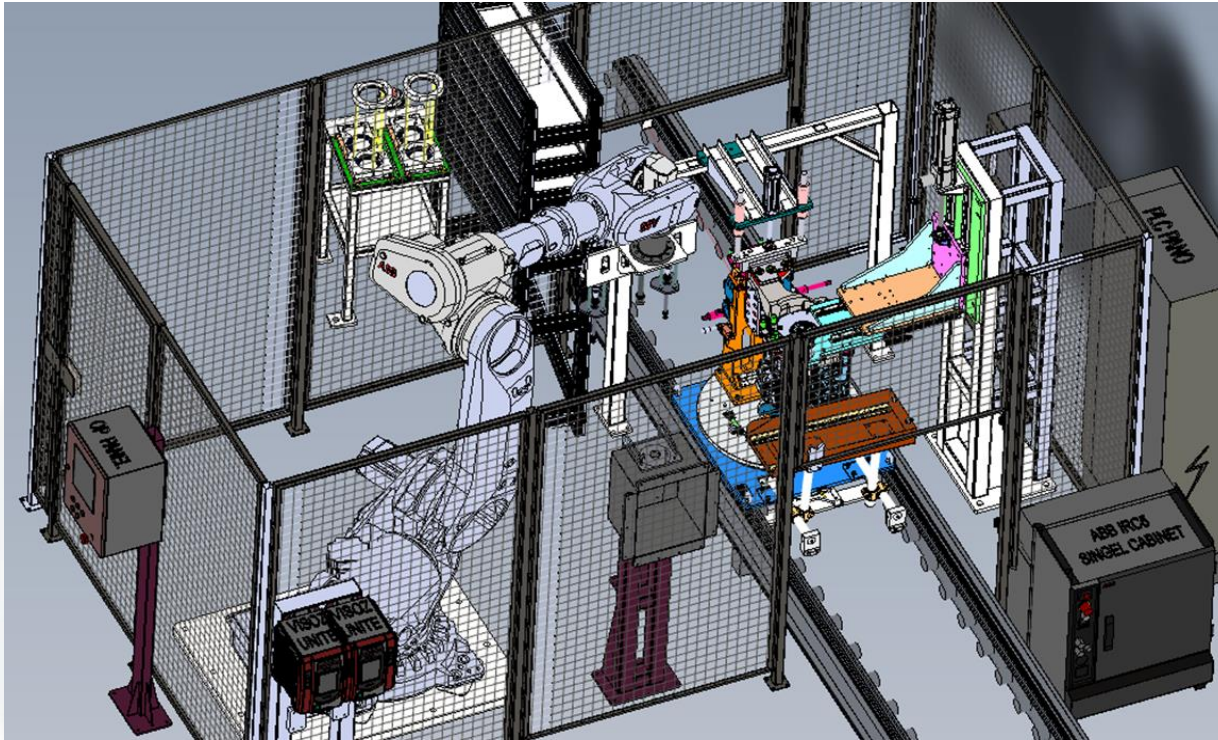
ASSEMBLY MACHINES

OP20 - Main Bearing Cap Unthightening



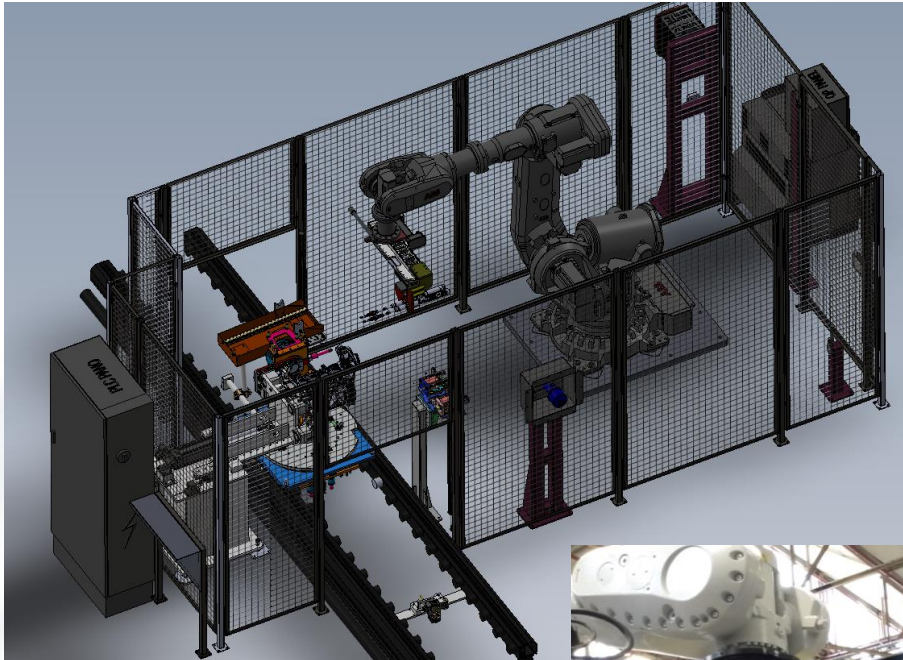


OP180 – Flywheel Tightening Machine



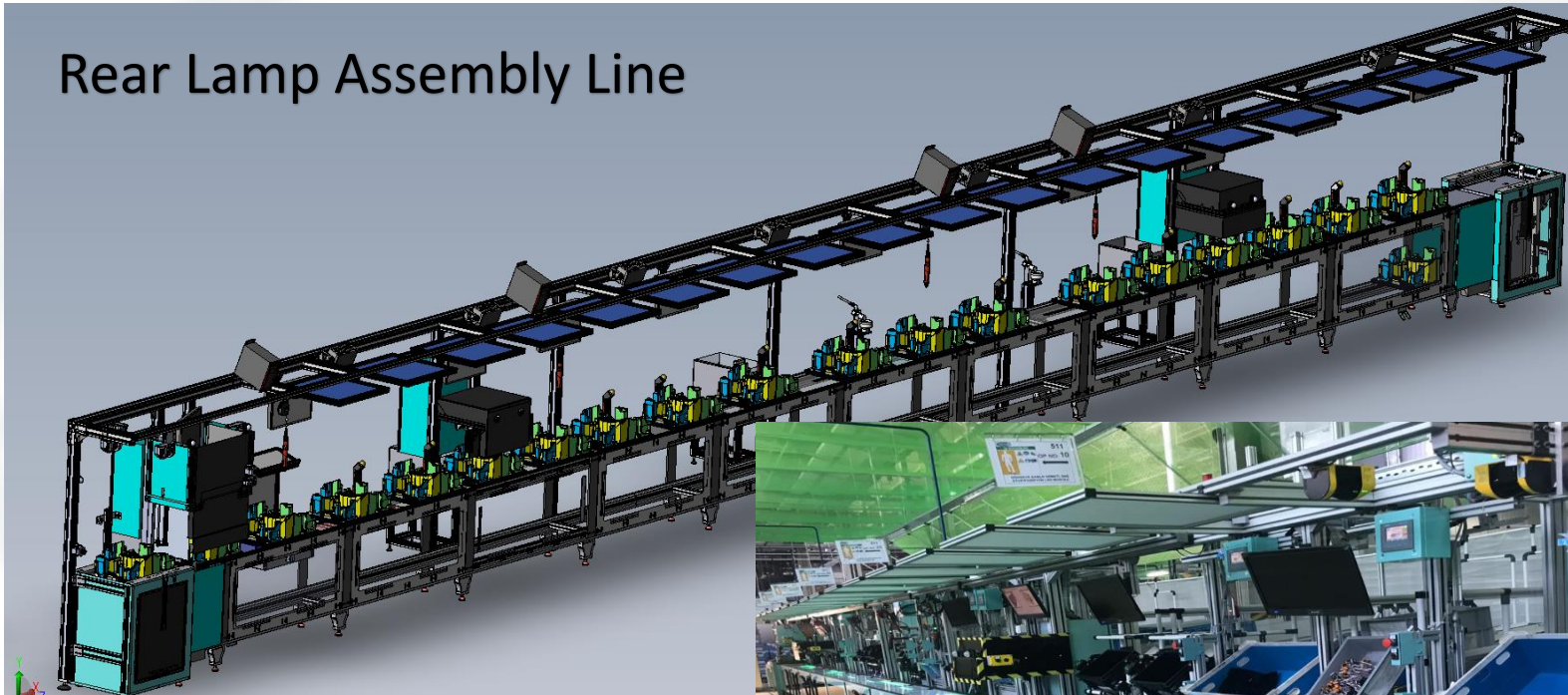


OP340- Robotic Dispensing Cap Tightening Machine

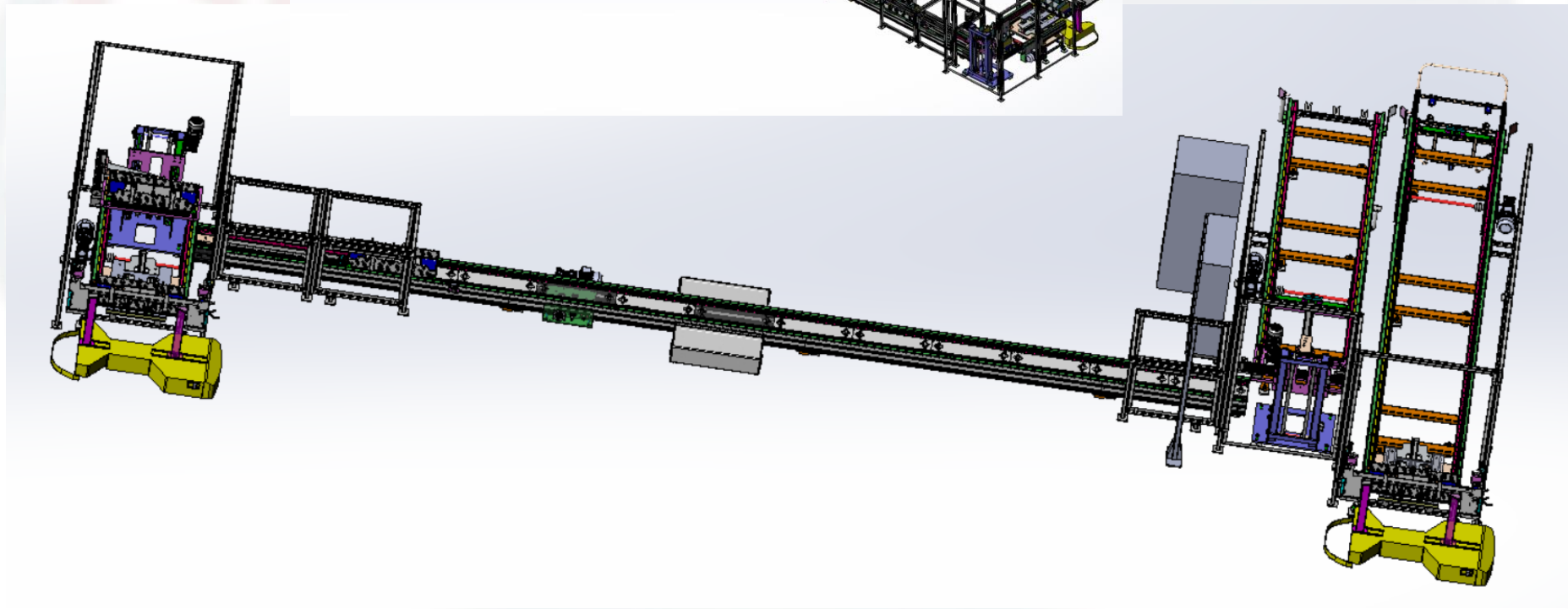
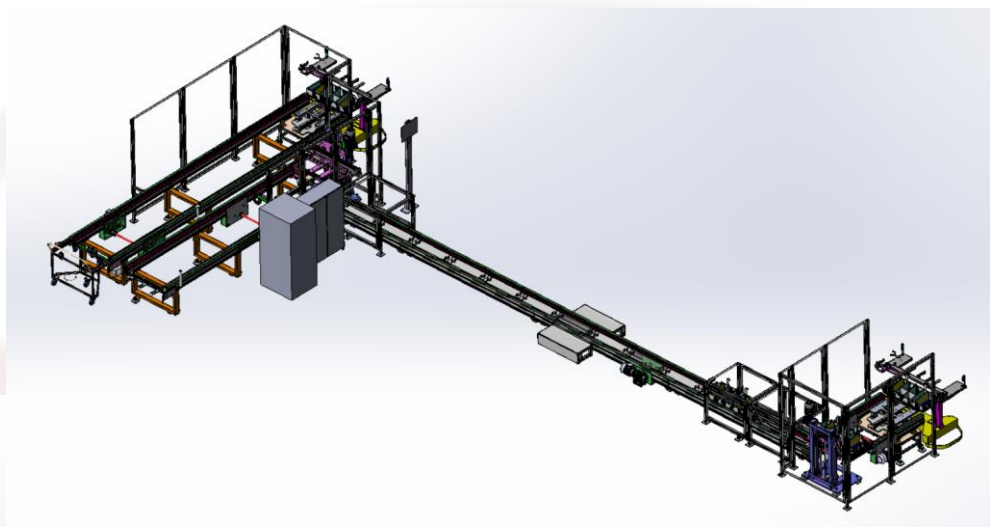


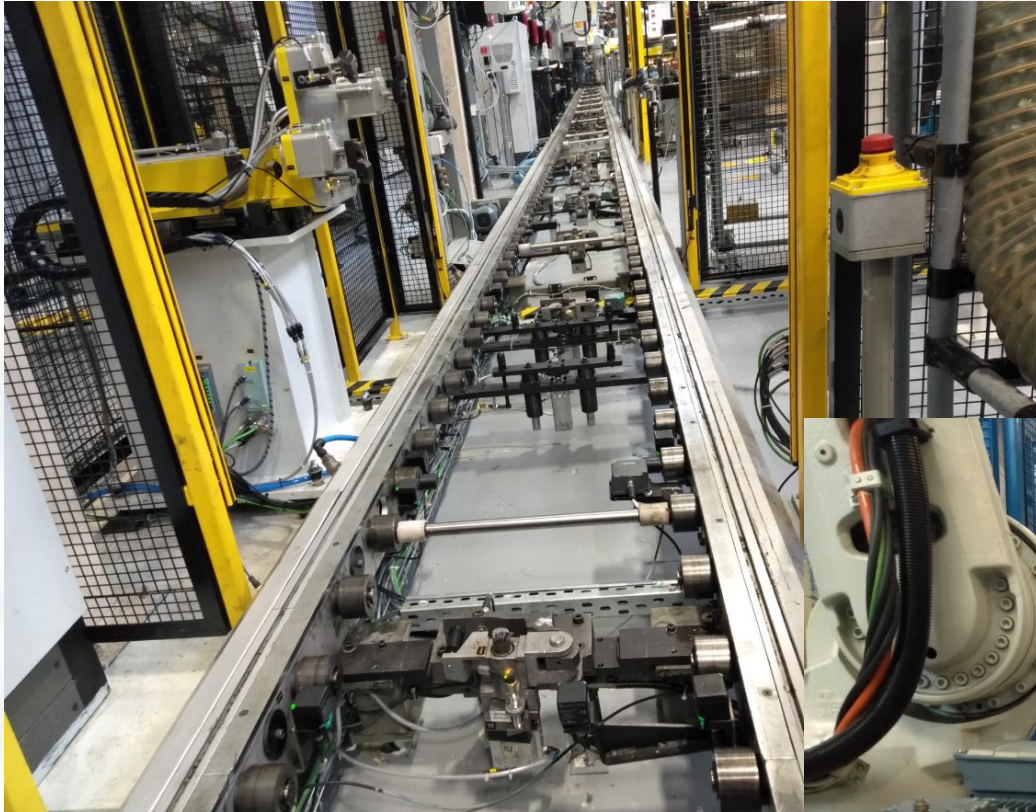
- We design, realize and mount handling and conveyor systems for assembly and production lines.
- We produce different handling system (Manual or Automatic) according the process. Lifting tools are designed carefully regarding the part carried.
- We produce different conveyor and pallets for carrying parts in all industrial field.
- Conveyors are designed completely according to demands of our customer.

Rear Lamp Assembly Line



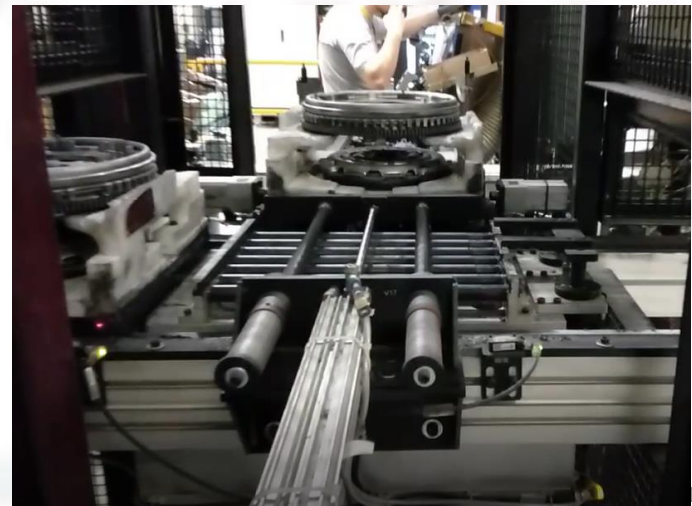
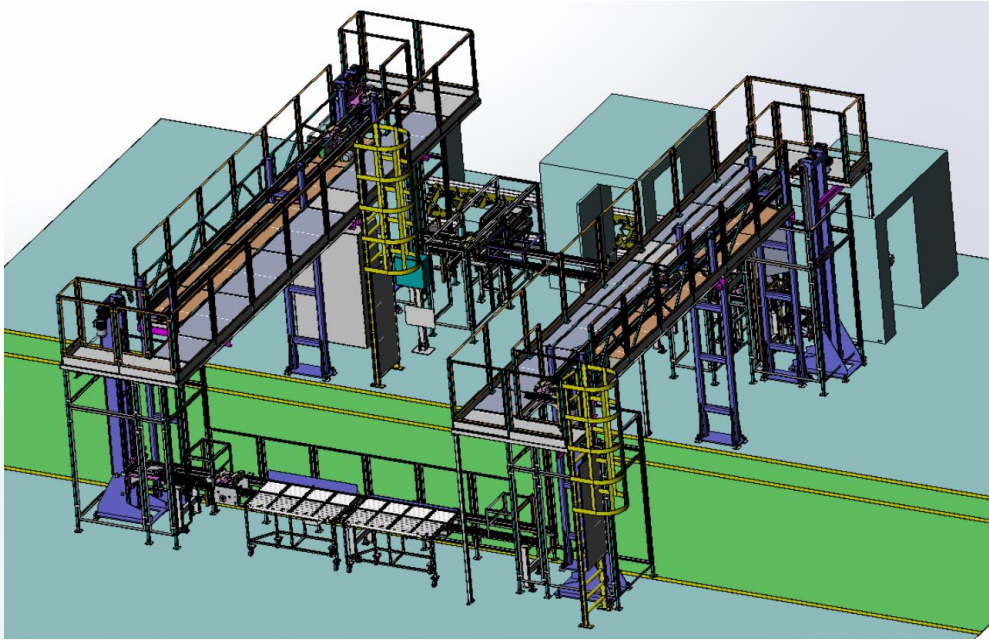
Rear Axle Kitting Line







Clutch Group Transfer Line





A6 Hydraulic Pump Assembly Line





Iran CHARKHESGAR CO. Gear Box Assembly Line



Engine Assembly Line

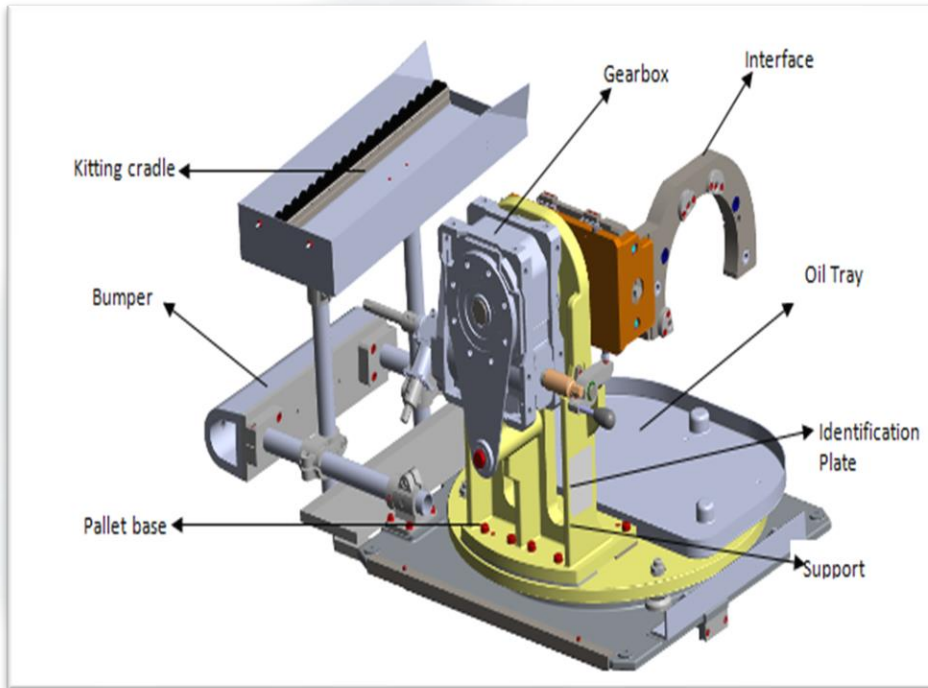


5/13/2020

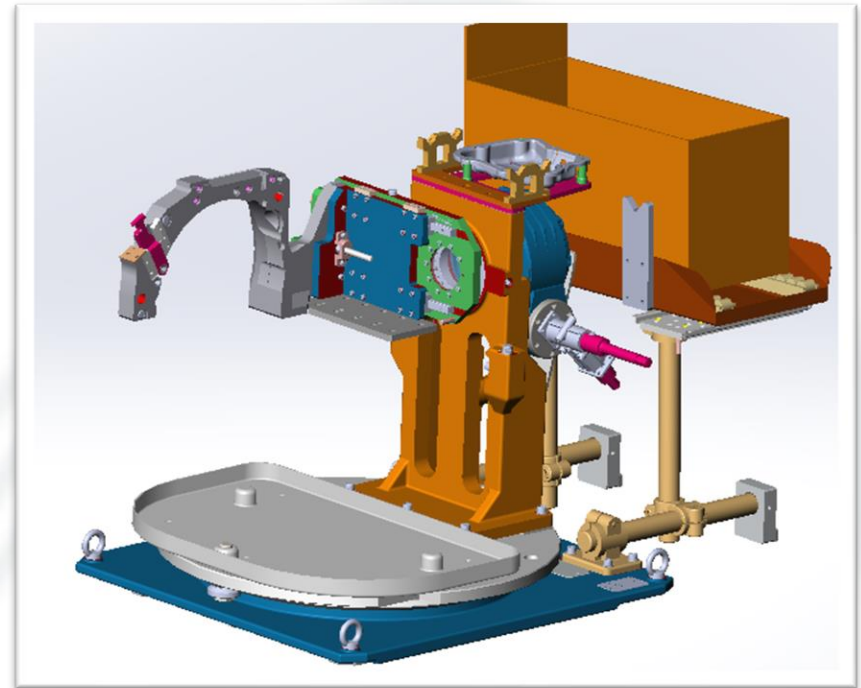


19

Assembly Line Pallets



Brazil Assembly Line Pallets



Turkey Assembly Line Pallets

Engine Assembly Line



Engine Assembly Line



Cylinder Head Assembly Line





TEST MACHINES

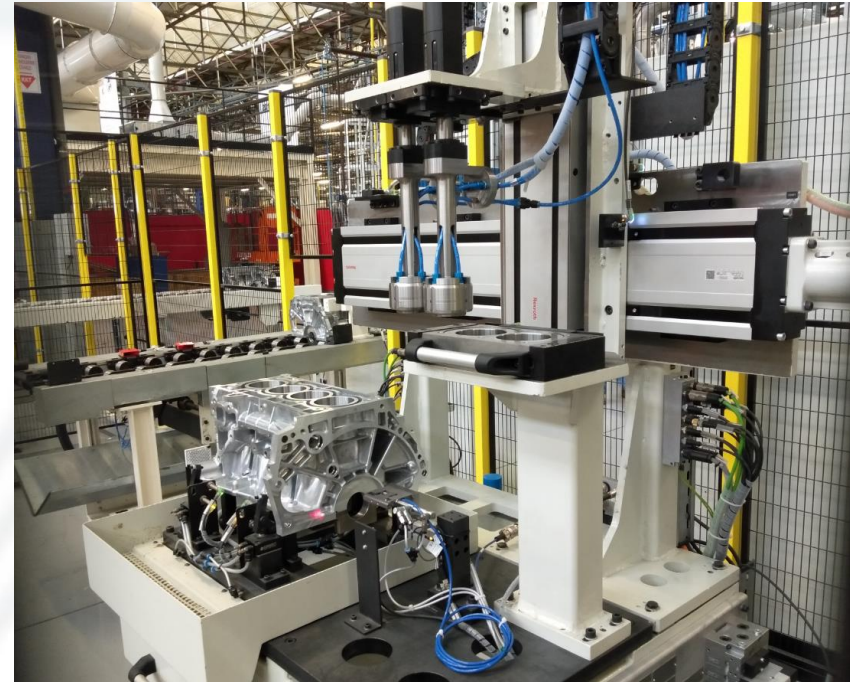
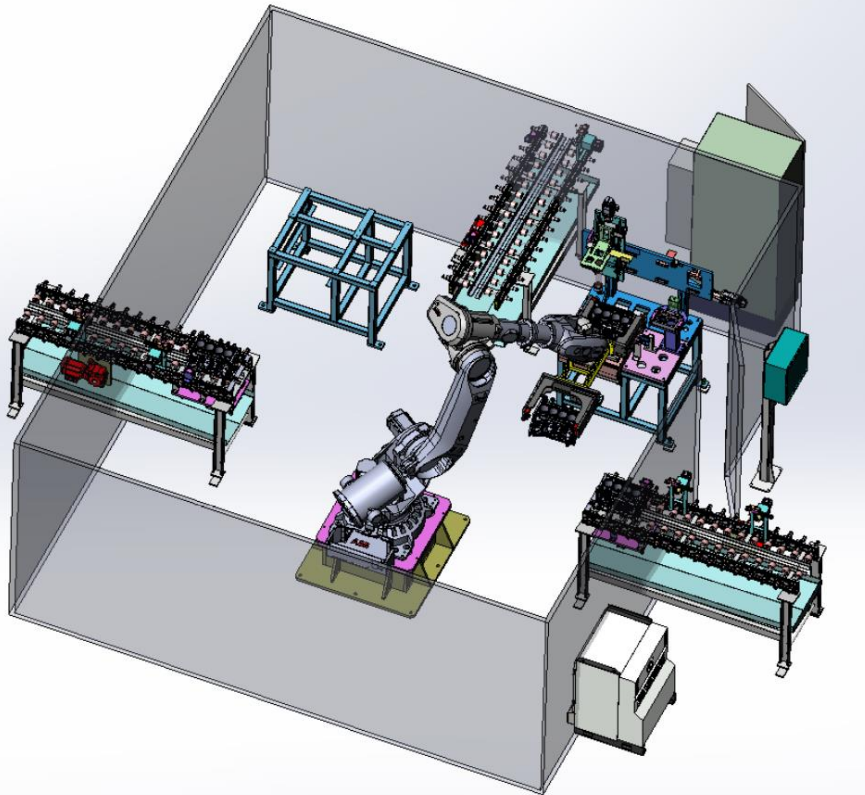
OP720 – Leakage Test Machine



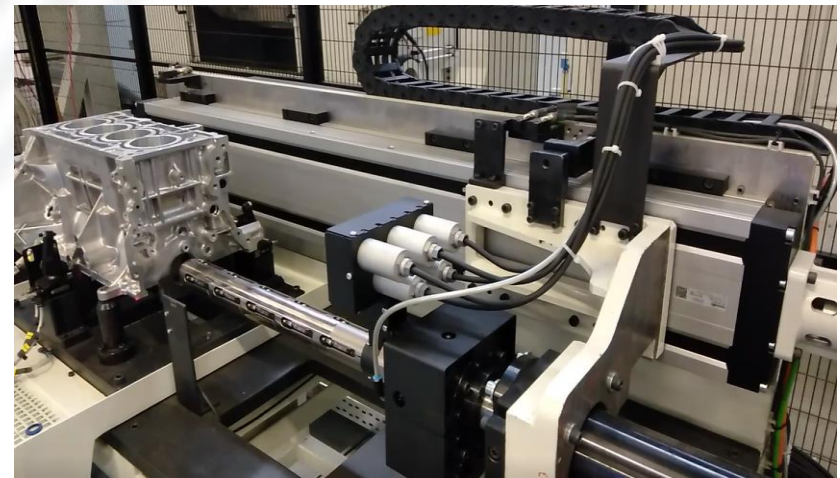
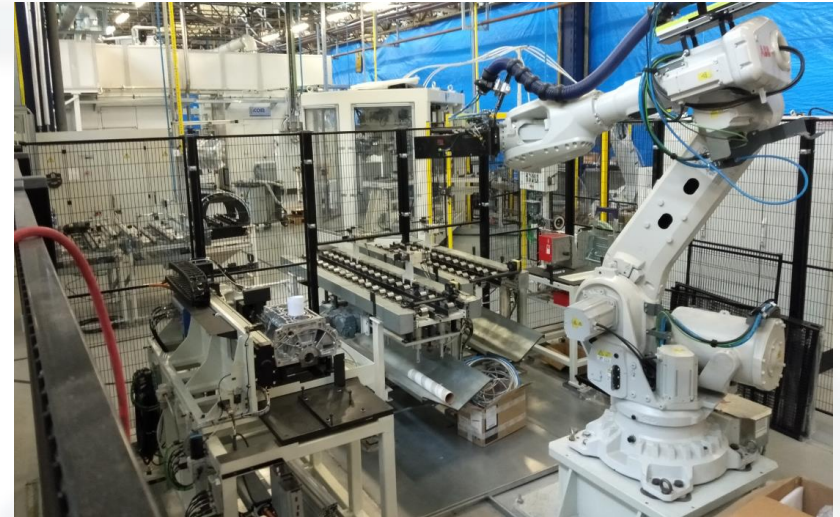
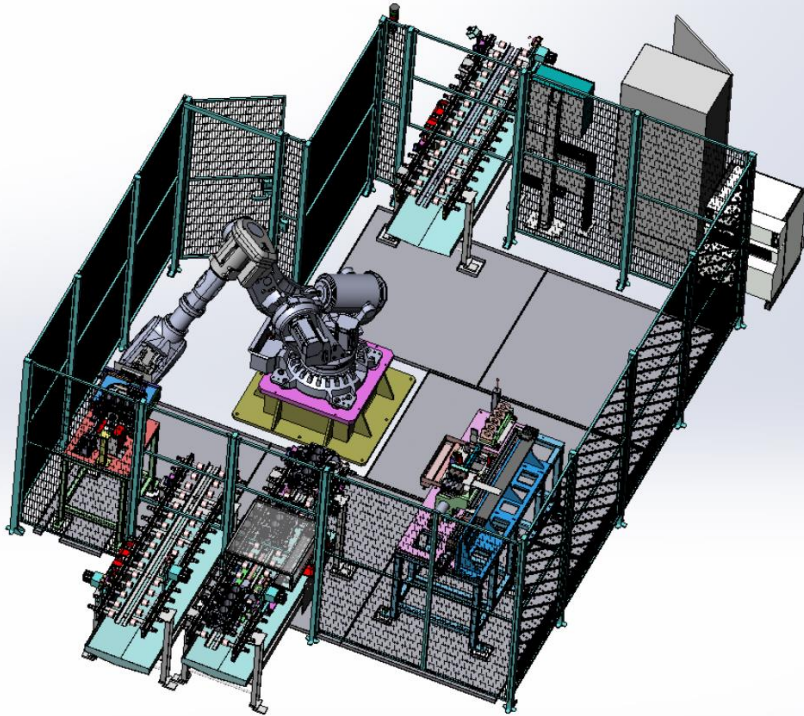


MEASUREMENT MACHINES

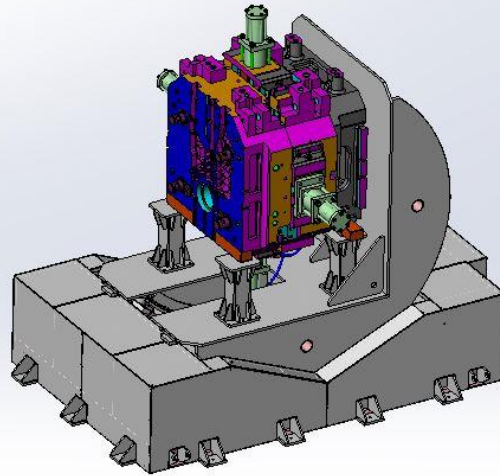
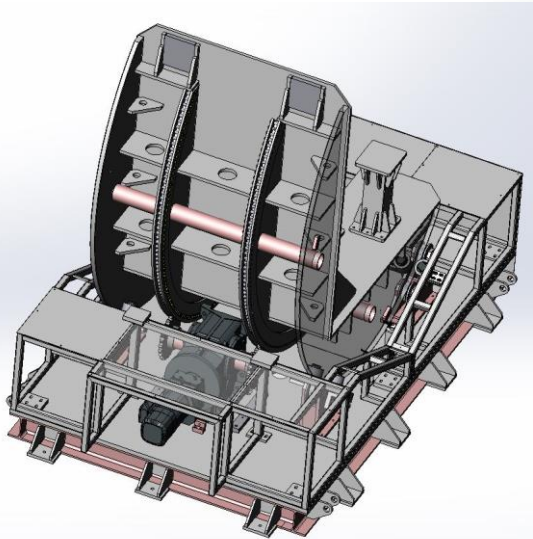
Cylinder Hole Measurement Station



Crankshaft Measurement Station

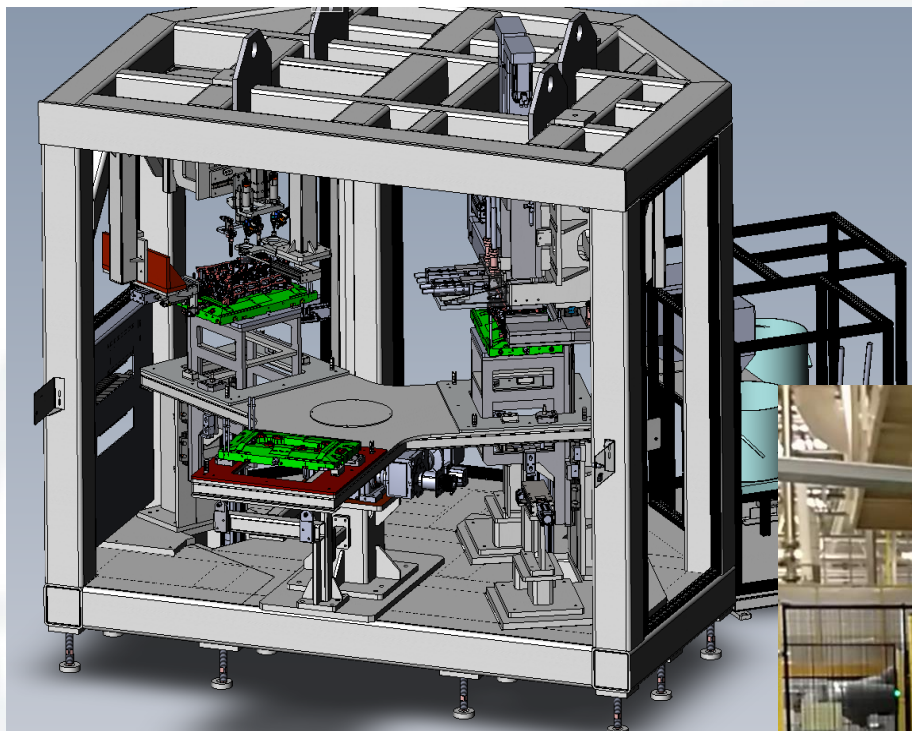


Die Turning Machine





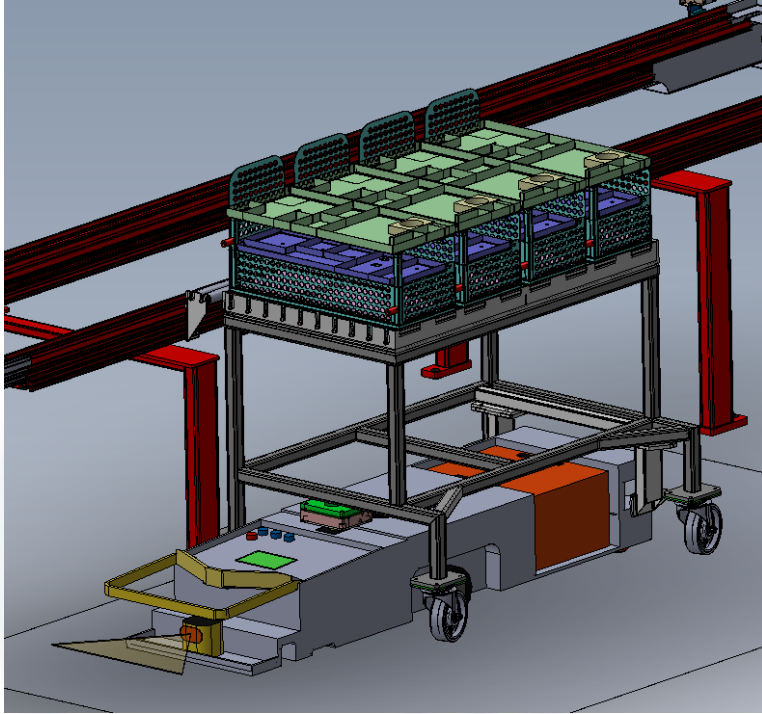
Automatic Plug Insertion Machine





AUTOMATIC LOADING & UNLOADING SYSTEMS

Automatic Loading System With AGV



AWARDS & CERTIFICATES





REFERENCES



TOFAŞ



BOSCH



Rexroth
Bosch Group

FICOSA
AUTOMOTIVE



TürkTraktör