



OGEM

***_ LIQUID FILLING MACHINES _
_ CAPPING MACHINES _
_ LABELLING MACHINES _***

OGEM Filling Tecnology
www.ogemfilling.com



OGEM 《S System》 PVC 12 HEAD SIPHON FILLER



- ✓ **OGEM 《S System》** Filling machine is manual
- ✓ Principle: Communicating vessels
- ✓ Fill Range: 200 cc. – 5 liters depending on bottle design and dimensions.
- ✓ Capacity: +/- 8 tons per day
- ✓ 12 Nozzles in total with 6 nozzles on both sides
- ✓ Made of PVC for corrosion resistance
- ✓ Integrated Float to cut/keep product flow in to the pool.
- ✓ No need for electricity or compressed air, it fills by siphon.
- ✓ Product outlet valve at the bottom of the pool.
- ✓ Bottle supports with adjustable height.
- ✓ Transparent cabinet on the top of the pool.
- ✓ Hand pump (starter) for the nozzles.
- ✓ Ø10,Ø14,Ø16 mm nozzle diameters.
- ✓ Pool PVC with width of 10 mm.
- ✓ Dimensions (W x L x H) : 80 x 112 x 128 cm
- ✓ Example products to be filled: Liquid bleach, glass cleaner, windshield cleaner, radiator coolant, toilet cleaner, vinegar, lemon juice, rose water, etc...



OGEM 《H System》 SEMI AUTOMATIC FILLER

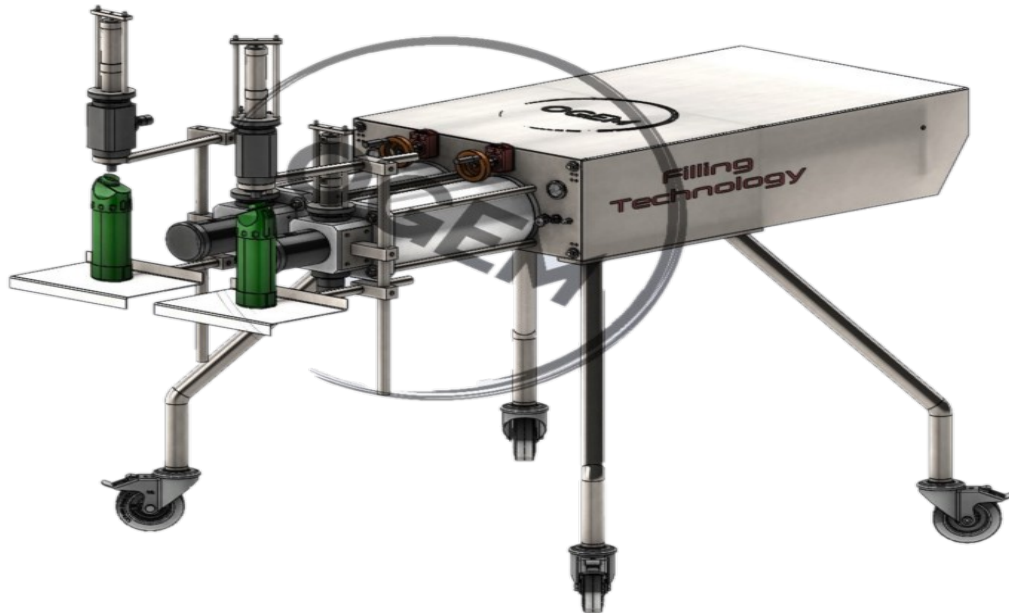


- ✓ **OGEM 《H System》 Stainless Steel Construction.**
- ✓ **Number of nozzles: 1 or 2**
- ✓ **Dosing type: Volumetric**
- ✓ **Fill Range: 100 ml. – 1000 ml. or 1000 ml. – 5000 ml.**
- ✓ **Suitable products: Liquid and semi-liquid products.**
- ✓ **Pneumatically powered**
- ✓ **Accuracy: $\pm 1\%$**
- ✓ **Hygienic**
- ✓ **Adjustable fill and recharge speeds.**
- ✓ **Possible to run continuously**
- ✓ **Can be easily moved thanks to its lockable castors**
- ✓ **Easy to clean**
- ✓ **A hopper can be integrated for viscous products.**
- ✓ **Example products to be filled: All the non-splashing liquid and semi-liquid products from chemicals, food, paint and dairy and similar industries....**





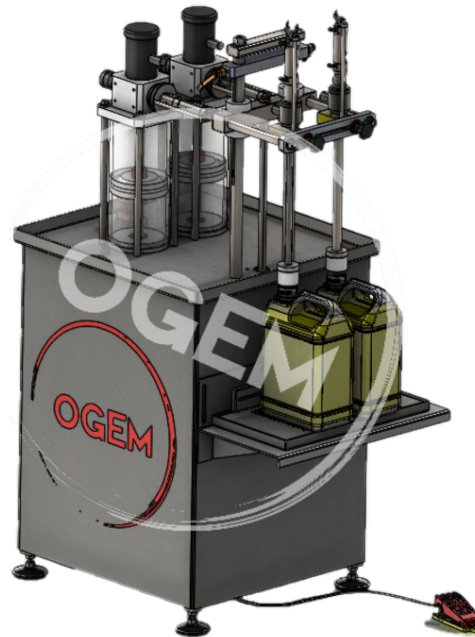
OGEM PVC 《H System》 SEMI AUTOMATIC FILLER



- ✓ **OGEM 《H System》** Stainless Steel Construction with PVC contact parts
 - ✓ Number of nozzles: 1 or 2
 - ✓ Dosing type: Volumetric
 - ✓ Fill Range: 100 ml. – 1000 ml. or 1000 ml. – 5000 ml.
 - ✓ Suitable products: Liquid and semi-liquid products.
 - ✓ Pneumatically powered
 - ✓ Accuracy: $\pm 1\%$
 - ✓ Hygienic
 - ✓ Adjustable fill and recharge speeds.
 - ✓ Possible to run continuously
 - ✓ Can be easily moved thanks its lockable castors
 - ✓ Easy to clean
- ✓ Example products to be filled: All the non-splashing liquid and dense corrosive products like ultra bleach, toilet cleaner, etc...from chemicals industry.



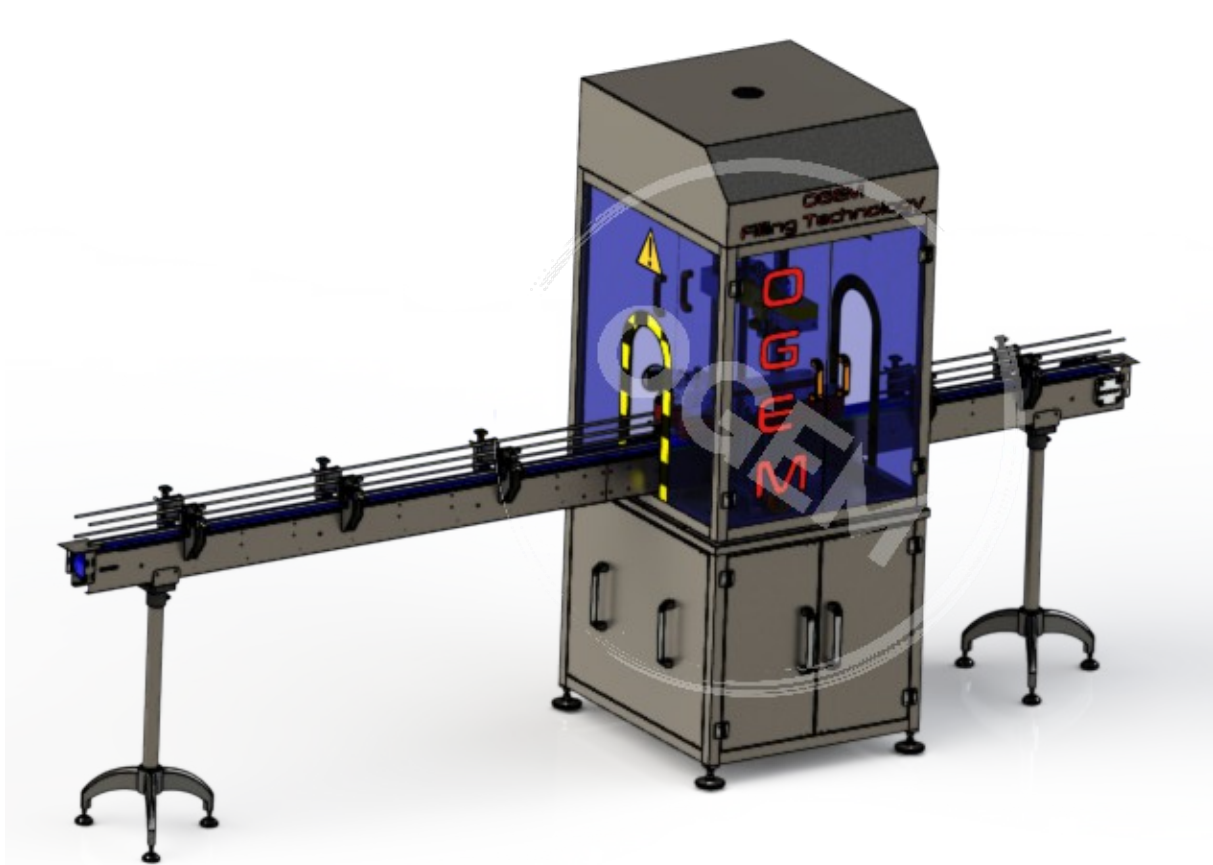
OGEM Vertical «V-H System» SEMI-AUTOMATIC FILLER



- ✓ **OGEM Vertical «V-H System» & OGEM PVC Vertical «V-H System»**
- ✓ **Stainless steel** or **PVC** depending on product to be filled
- ✓ **Number of nozzles: 2**
- ✓ **Dosing type: Volumetric**
- ✓ **Fill Range: 100 ml. – 1000 ml. or 1000 ml. – 5000 ml.**
- ✓ **Suitable products: Liquid and semi-liquid products.**
- ✓ **Pneumatically powered**
- ✓ **Accuracy: $\pm 1\%$**
- ✓ **Hygienic**
- ✓ **Adjustable fill and recharge speeds.**
- ✓ **Possible to run continuously**
- ✓ **Can be easily moved thanks to its lockable castors**
- ✓ **Easy to clean**
- ✓ **Optional diving nozzles system for foaming and splashing liquids.**
- ✓ **Example products to be filled: All the non-splashing liquid and semi-liquid products from chemicals, food, paint and dairy and similar industries....**



OGEM Linear 《C System》 AUTOMATIC CAPPING MACHINE



- ✓ **OGEM Linear 《C System》** Linear Automatic Capping Machine
- ✓ Single head with capper head motioned by air motor
- ✓ System: Mechanical and electro-pneumatical.
- ✓ Suitable Caps: Plastic screw and press on caps
- ✓ PLC program
- ✓ Capacity: 2.500 – 3.000 bph depending on bottle and cap details
- ✓ Conveyor belt with variable speed
- ✓ Stainless steel construction
- ✓ Machine guard with door interlocks



OGEM PVC Rotary 《C System》 AUTOMATIC CAPPING MACHINE



✓ OGEM PVC Rotary 《C System》 Rotary Automatic Capping Machine

- ✓ Single head with capper head motioned by air motor
- ✓ System: Mechanical and electro-pneumatical.
- ✓ Suitable Caps: Plastic screw and press on caps
- ✓ PLC program
- ✓ Capacity: 2.500 – 3.000 bph depending on bottle and cap details
- ✓ Conveyor belt with variable speed
- ✓ Stainless steel construction
- ✓ Machine guard with door interlocks
- ✓ Starwheels and back guides tailored to bottle design



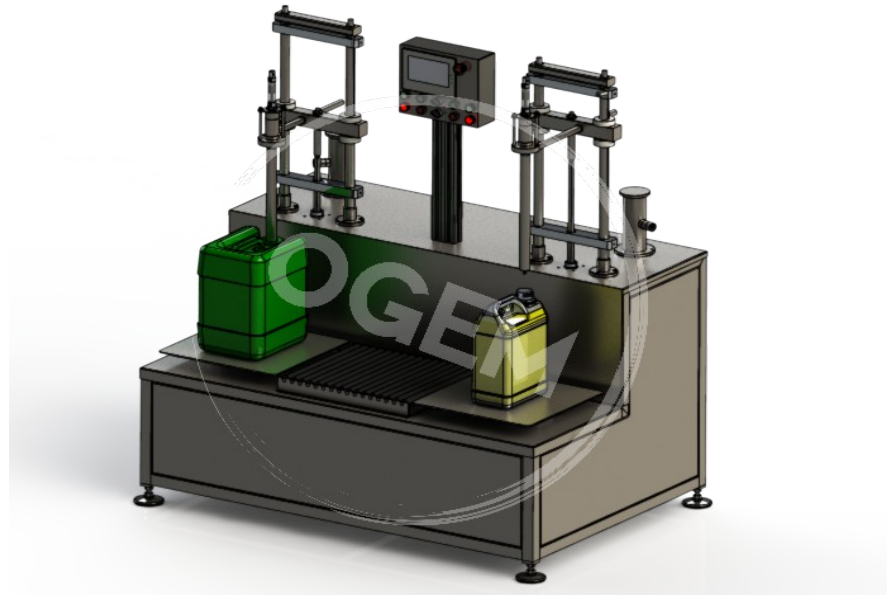
OGEM Compact 《L System》 SEMI AUTOMATIC WEIGHT FILLER



- ✓ **OGEM Compact PVC 《L System》** is a semi-automatic weight filler
- ✓ Number of nozzles: 1
- ✓ Construction: PVC for corrosive products or stainless steel for regular products
- ✓ Principle: Mechanic and electro-pneumatic
- ✓ Fill range: 5 – 30 kg.
- ✓ Intakes the product with its integrated pump directly from the storage tank
- ✓ Can be cleaned easily
- ✓ A manual capper can be integrated to the filler.
- ✓ PVC or stainless steel contact parts depending on the product to be filled.
- ✓ Fill weight can be easily adjusted on the touch screen
- ✓ Adjustable nozzle height
- ✓ Nozzle with antidripping mechanism.
- ✓ Optional diving nozzle system for foaming products
- ✓ Accurate filling with gradual filling system



OGEM Compact 《L System》 2 SEMI AUTOMATIC FILLER



- ✓ **OGEM Compact 《L System》** is a semi-automatic weight filler
- ✓ Number of nozzles: 2
- ✓ Construction: PVC for corrosive products or stainless steel for regular products
- ✓ Principle: Mechanic and electro-pneumatic
- ✓ Fill range: 5 – 30 kg.
- ✓ Intakes the product with its integrated pump directly from the storage tank
- ✓ Can be cleaned easily
- ✓ A manual capper can be integrated to the filler.
- ✓ PVC or stainless steel contact parts depending on the product to be filled.
- ✓ Fill weight can be easily adjusted on the touch screen
- ✓ Adjustable nozzle height
- ✓ Nozzle with antidripping mechanism.
- ✓ Optional diving nozzle system for foaming products
- ✓ Accurate filling with gradual filling system



OGEM IBC 《L System》 SEMI-AUTOMATIC BULK FILLER

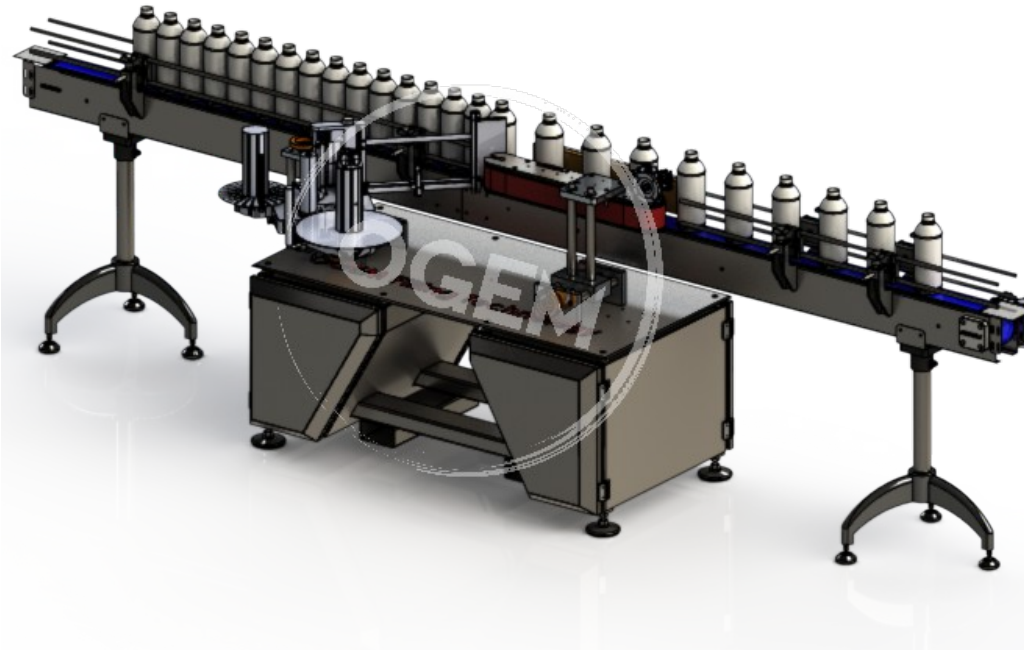


TEKNİK ÖZELİKLER :

- ✓ **OGEM IBS 《L System》 is a semi-automatic bulk filler**
- ✓ **Number of nozzles: 1**
- ✓ **Construction: PVC for corrosive products or stainless steel for regular products**
- ✓ **Principle: Mechanic and electro-pneumatic**
- ✓ **Fill range: For barrels and IBC tanks**
- ✓ **Intakes the product with its integrated pump directly from the storage tank**
- ✓ **Can be cleaned easily**
- ✓ **PVC or stainless steel contact parts depending on the product to be filled.**
- ✓ **Fill weight can be easily adjusted on the touch screen**
- ✓ **Adjustable nozzle height**
- ✓ **Nozzle with antidripping mechanism.**



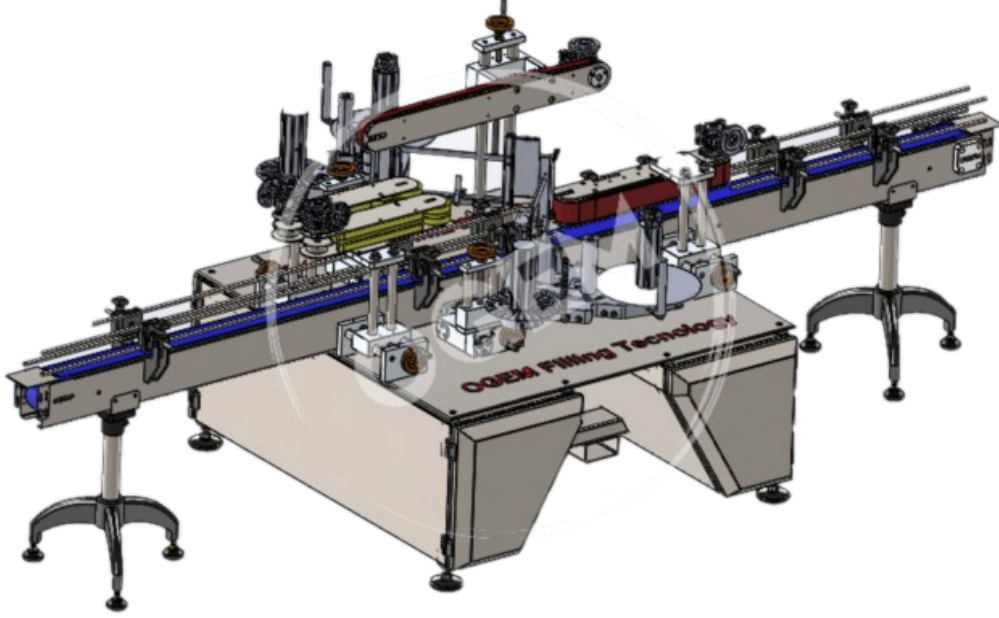
OGEM Single 《E System》 SINGLE FACE LABELLING MACHINE



- ✓ **OGEM Single 《E System》 Single Face Automatic Labeller**
- ✓ **Construction: Stainless steel or PVC against corrosion**
- ✓ **Conveyor belt with variable speed**
- ✓ **Bottle material: Glass, Plastic, PET, PE, Metal**
- ✓ **Suitable for self adhesive labels in rolls**
- ✓ **Made in Europe Applicator**
- ✓ **Servo or step motor applicator**
- ✓ **Label height: 20mm-150mm / 20mm-230mm**
- ✓ **Optional pressure belt with variable speed, needed for flat bottles**
- ✓ **3D adjustable applicator**
- ✓ **End of roll alarm**



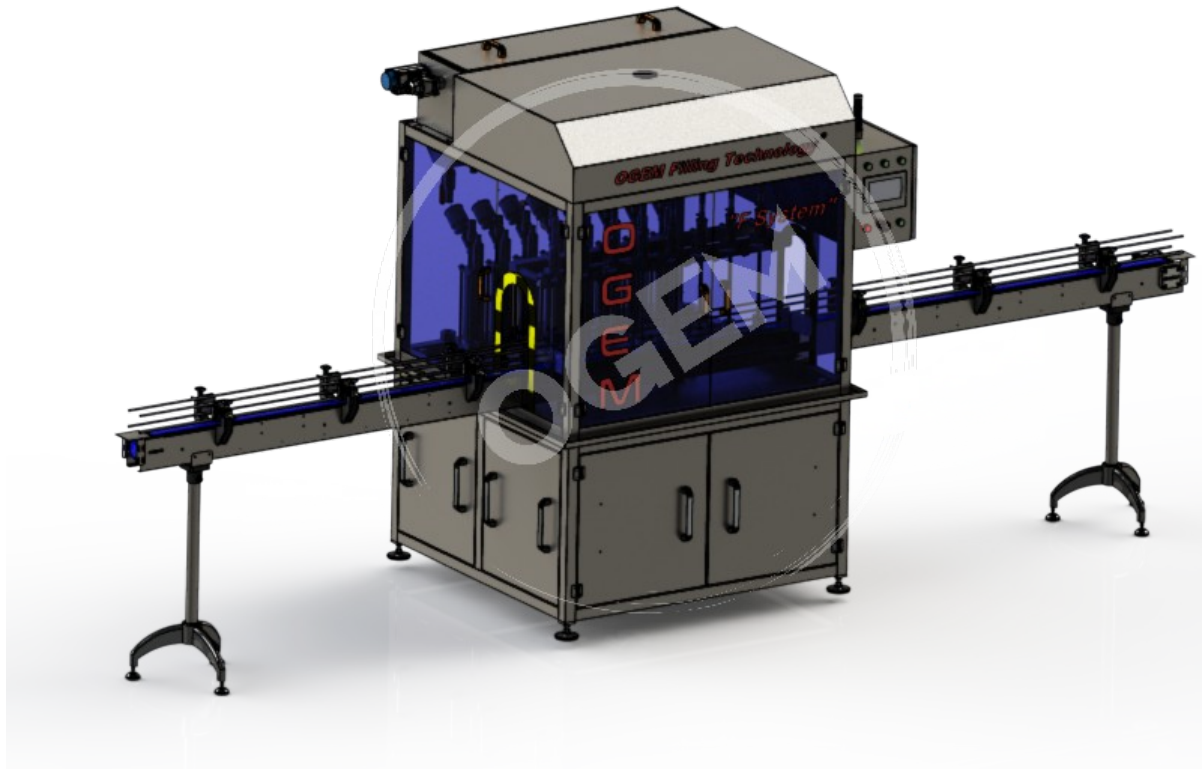
OGEM Double 《E System》 OTOMATİK ÇİFT TARAF ETİKETLEME MAKİNESİ



- ✓ **OGEM Single 《E System》 Single Face Automatic Labeller**
- ✓ **Construction: Stainless steel or PVC against corrosion**
- ✓ **Conveyor belt with variable speed**
- ✓ **Bottle material: Glass, Plastic, PET, PE, Metal**
- ✓ **Suitable for self adhesive labels in rolls**
- ✓ **Made in Europe Applicator**
- ✓ **Servo or step motor applicator**
- ✓ **Label height: 20mm-150mm / 20mm-230mm**
- ✓ **Optional pressure belt with variable speed, needed for flat bottles**
- ✓ **3D adjustable applicator**
- ✓ **End of roll alarm**
- ✓ **Optional wrap around unit for cylindrical bottles**



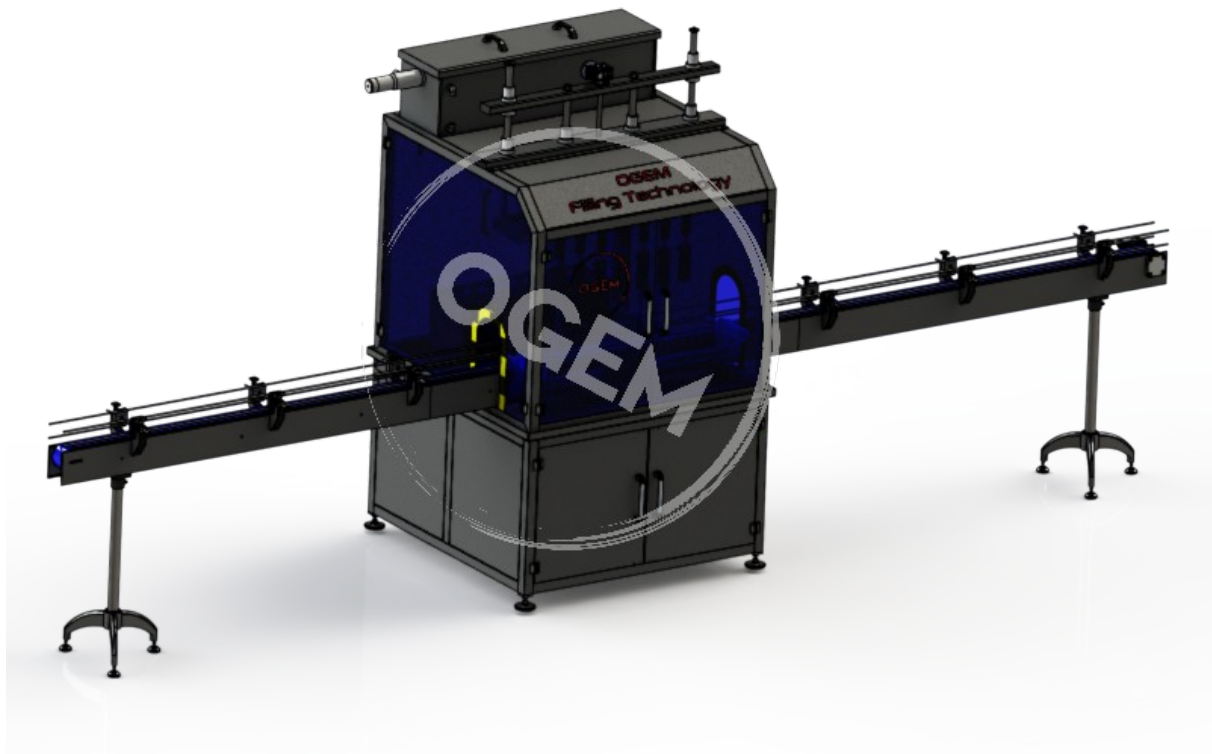
OGEM (4 / 6 / 8 / 10) «F System» AUTOMATIC PISTON FILLER



- ✓ **OGEM (4 / 6 / 8 / 10) «F System»** is a stainless steel linear automatic filling machine.
- ✓ Volumetrically doses. On Request, made with **4 / 6 / 8 / 10** pieces of bottom / neck entry filling nozzles.
- ✓ Fill range: On request, **100 ml. – 1 000 ml. or 1000 ml. – 5 000 ml.**
- ✓ Accuracy : +/-1
- ✓ Hopper: **150 – 200 liters** with float
- ✓ Conveyor belt with variable speed
- ✓ Machine guard with door interlocks
- ✓ PLC program
- ✓ PLC touch screen
- ✓ Products to be filled: Liquid and semi-liquid products from food, chemicals, paint, dairy and pharmaceuticals industries...



OGEM PVC (4 / 6 / 8 / 10) «F System» AUTOMATIC GRAVITY FILLER



- ✓ **OGEM (4 / 6 / 8 / 10) «F System»** is a corrosion resistant linear automatic filling machine.
- ✓ Gravity Filling
- ✓ Stainless steel body with coating and PVC cover against corrosion
- ✓ PVC contact parts
- ✓ On Request, made with **4 / 6 / 8 / 10** pieces of bottom / neck entry filling nozzles.
- ✓ Fill range: On request, **100 ml. – 1 000 ml. or 1000 ml. – 5 000 ml.**
- ✓ Accuracy : +/-1
- ✓ Hopper: **150 – 200 liters** with float
- ✓ Conveyor belt with variable speed
- ✓ Machine guard with door interlocks
- ✓ PLC program
- ✓ PLC touch screen
- ✓ Products to be filled: Liquid bleach, flush, HCL, and similar corrosive liquids...