

SPT299

-New Type
with hydraulic fly jib

**New Height:
14.5 meters**



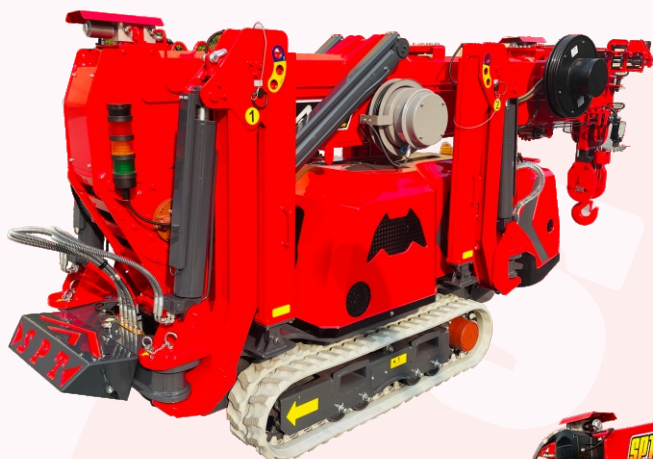
**HENAN SPT MACHINERY
EQUIPMENT CO., LTD.**

Mini Crawler Crane (Spider Crane)

International Brand, EU standard

Intelligent, safe and more durable

SPT299 – New Type with hydraulic fly jib



**New Height:
14.5 meters**

Working radius 11.5m



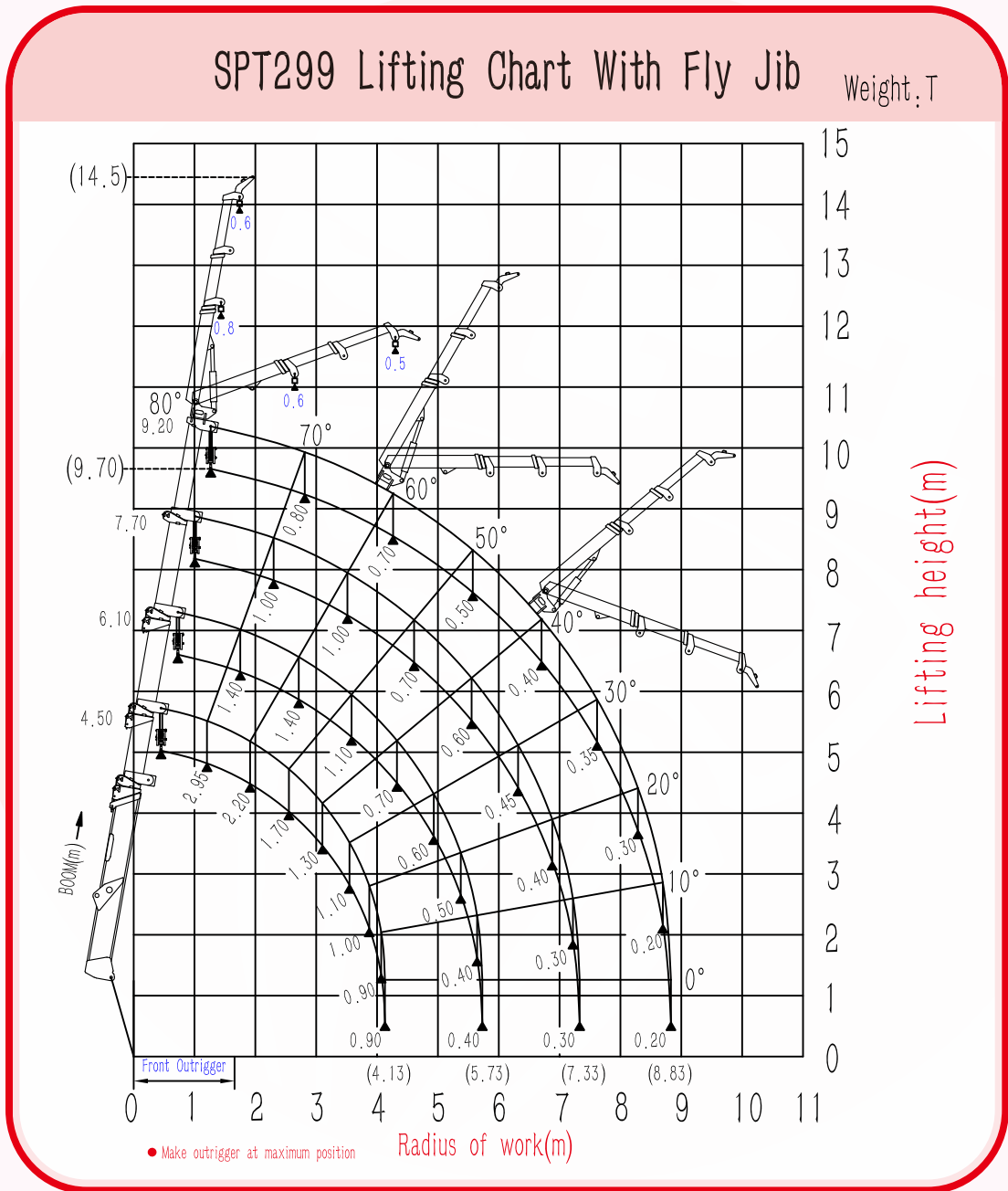
Capacity 2.95t×1.4m

Weight 2980kg

SPT299 – New Type with hydraulic fly jib



Working Range Diagram with Fly Jib

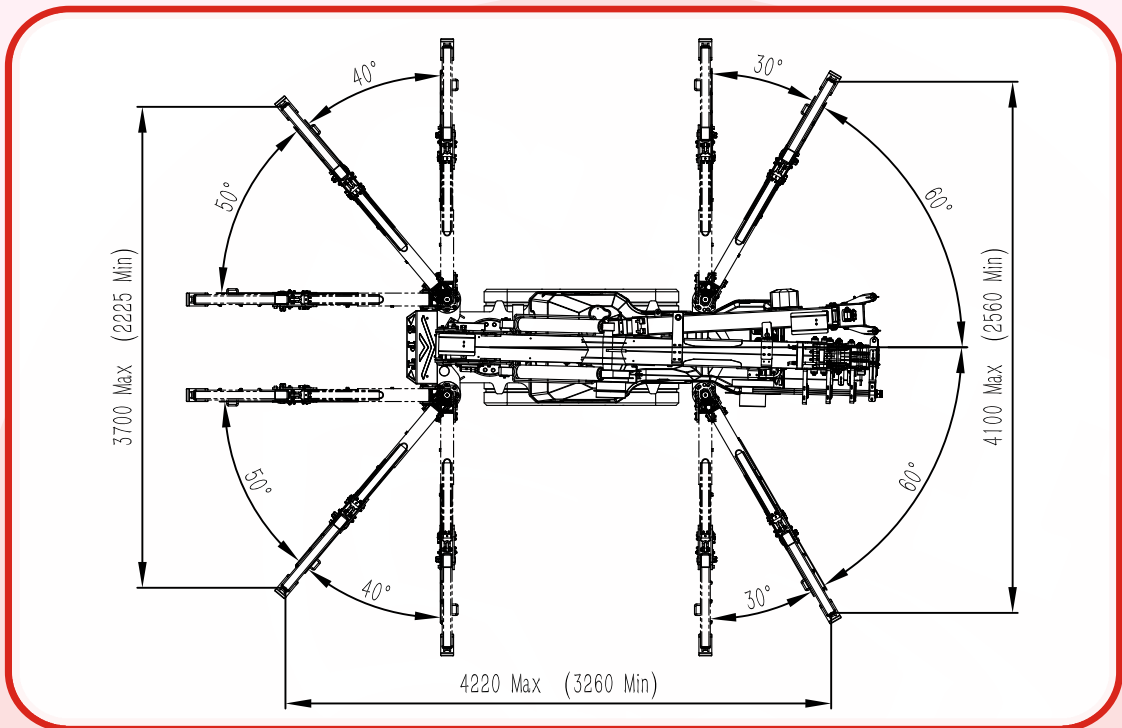


SPT299

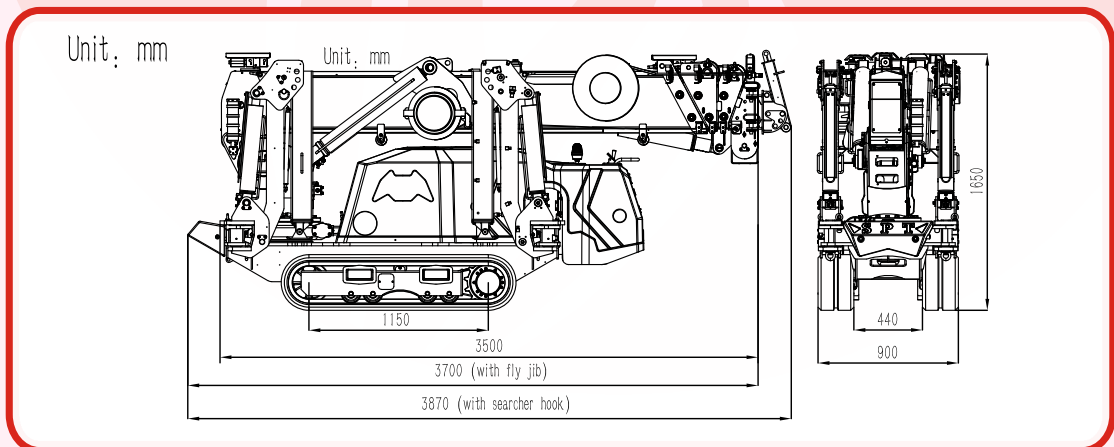
-New Type
with hydraulic fly jib



Outrigger Footprints



Dimensions



SPT299 – New Type with hydraulic fly jib



Specifications

Model	SPT299	
Capacity	2.95t × 1.4m	
Working radius	11.5m	
Ground lifting height	14.5m	
Underground lifting height	10m–4 fall 20m–2 fall 40m–1 fall	
Winch device	Hook speed	0–8m/min (4 fall)
	Rope type	Φ8mm × 45m
Telescopic system	Boom form	4 section boom, hexagonal box construction
	Boom length/Time	3.3m–9.21m/18sec
Up and downs	Boom angle/Time	0–80° /13sec
Slew system	Slew angle/Speed	0–360° (continuous) /60sec
Outrigger	Outrigger active form	Manual + Hydraulic
	Maximum extended dimensions (mm)	4220 (Length) X3700 (Front) X4100 (Back)
Traction system	Walking way	Hydraulic motor drive、2 speed
	Walking speed	0–2.0km/h
	Grade ability	20° (36%)
	Ground length × width	1150mm × 230 mm
	Ground pressure	53kpa (0.54kgf/cm ²)
Electric motor	Voltage	AC380V (Optional)
	Power/Speed	4kw/1440 min–1
	Sound level	Rated speed ≤75dB (A) (1m)
Diesel engine	Model	3TNV70(YANMAR)/3TNM68(YANMAR)
	Type/Displacement	3 Cylinder water cooled/0.993L
	Rated output	10.3kw/2200 min–1
	Starting method	Electric
	Operating temperature	–5° C~40° C
	Fuel/Volume	Diesel/18L
	Battery capacity	12v 45AH
	Specific fuel consumption	274g/kW–h
	Sound Level	Rated speed ≤82.5dB (A) (1m)
Operate system	Applied regulation/Altitude	EPA–Tier4, EC stage V/1200m
	Type of operation	Wireless remote control and manual operation
Dimension	Operating characteristic	Full proportional control
	Length × Width × Height	3700mm × 900mm × 1650mm
Weight	(Include fly jib)	2980kg
Standard configuration	Diesel engine, Electric motor, Radio remote control, Searcher hook, Black rubber track, Intelligent display screen, Moment limiter, Over hoist alarm and automatic stop device, Three–winding alarm and automatic stop device, Automatic hook stow, Outrigger position detector device, Outrigger off the ground alarm and automatic stop device, Slings rope detachment protector, EMO switch, Three color lamp, Remote control lamp, Voice prompt, Walking/Outrigger/Boom three–mode interlock system, Data records	
Optional configuration	Glass suction, White rubber track, Manual fly jib, Hydraulic fly jib, Single–man basket, Outrigger pads	

SPT299 – New Type with hydraulic fly jib



■ Total rated load Outriggers at Maximum position(4fall)

3.10/4.40boom		6.00boom		7.60boom		9.20boom	
Working radius (m)	Total ratedload (t)	Working radius (m)	Total ratedload (t)	Working radius (m)	Total ratedload (t)	Working radius (m)	Total ratedload (t)
< 1.40	2.95	< 2.80	1.40	< 3.50	0.95	< 4.00	0.70
1.50	2.80	3.00	1.30	4.00	0.80	4.50	0.60
2.00	2.10	3.50	1.10	4.50	0.70	5.00	0.50
2.50	1.70	4.00	0.85	5.00	0.55	5.50	0.40
3.00	1.30	4.50	0.70	5.50	0.50	6.00	0.35
3.50	1.10	5.00	0.55	6.00	0.40	6.50	0.30
4.03	0.90	5.63	0.40	6.50	0.35	7.00	0.25
				7.23	0.25	7.50	0.20
						8.00	0.20
						8.83	0.15