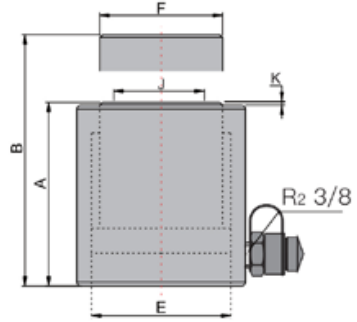
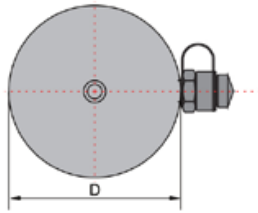


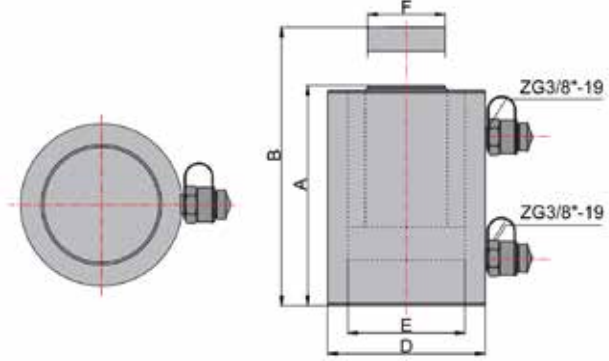
► HİDROLİK SİLİNDİRLER (TEK TESİRLİ YAY GERİ DÖNÜŞÜMLÜ)
HYDRAULIC CYLINDERS SINGLE ACTING



KOD STOCK CODE	ÇALIŞMA TONAJI CAPACITY (TON)	ÇALIŞMA STROKU STROKE (mm)	KAPALI BOY CLOSED HEIGHT (mm) (A)	AÇIK BOY OPEN HEIGHT (mm) (B)	SİLİNDİR DIŞ ÇAP CYLINDER DIAMETER (mm) (D)	SİLİNDİR PISTON ÇAP STROKE DIAMETER (mm) (F)	KULLANILAN POMPA MODELİ RECOMMENDED PUMP	YAĞ KAPASİTESİ OIL CAPACITY (cm3)	AĞIRLIK WEIGHT (Kg)
RSC - 1010	10	10	48	58	83	38	CP-700B	16	1.6
RSC - 1050		50	122	172	68	36	CP-700B	85	3.1
RSC - 10100		100	172	272	68	36	CP-700B	169	4.4
RSC - 10150		150	222	372	68	36	CP-700B	254	5.7
RSC - 2011	20	11	56	67	99	50	CP-700B	34	2.7
RSC - 2050		50	126	176	83	45	CP-700B	157	4.0
RSC - 20100		100	176	276	83	45	CP-700B	311	5.3
RSC - 20150		150	226	376	83	45	CP-700B	465	6.6
RSC - 3013	30	13	62	75	123	64	CP-700B	55	4.6
RSC - 3050		50	137	187	103	65	CP-700B	237	7.9
RSC - 30100		100	187	287	103	65	CP-700B	471	10.7
RSC - 30150		150	237	387	103	65	CP-700A	705	13.5
RSC - 5016	50	16	72	88	148	70	CP-700B	101	7.8
RSC - 5050		50	147	197	123	70	CP-700B	389	11.6
RSC - 50100		100	197	297	123	70	CP-700A	768	14.9
RSC - 50150		150	247	397	123	70	CP-700A	1147	18.0
RSC - 10016	100	16	91	107	188	100	CP-700B	200	16.8
RSC - 10050		50	182	232	168	90	CP-700A	833	25.7
RSC - 100100		100	232	332	168	90	CP-700A	1584	30.6
RSC - 100150		150	282	432	168	90	CP-700A	2335	35.5
RSC - 20050	200	50	202	252	228	135	CP-700A	1500	60.0
RSC - 200100		100	252	352	228	135	ZCB65	2953	71.0
RSC - 200150		150	302	452	228	135	ZCB65	4406	83.0

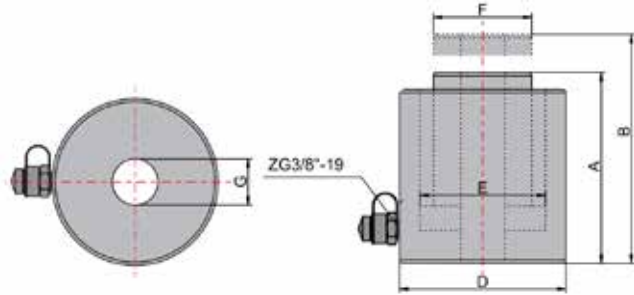


► **HİDROLİK ÇİFT TESİRLİ YÜKSEK TONAJLI SİLİNDİRLER**
HYDRAULIC HIGH TONNAGE CYLINDERS DOUBLE ACTING



KOD STOCK CODE	ÇALIŞMA TONAJI CAPACITY (TON)	ÇALIŞMA STROKU STROKE (mm)	KAPALI BOY CLOSED HEIGHT (mm) (A)	AÇIK BOY OPEN HEIGHT (mm) (B)	SİLİNDİR DIŞ ÇAP CYLINDER DIAMETER (mm) (D)	SİLİNDİR PİSTON ÇAP STROKE DIAMETER (mm) (F)	KULLANILAN POMPA MODELİ RECOMMENDED PUMP	YAĞ KAPASİTESİ İTME OIL CAPACITY PUSH (cm ³)	YAĞ KAPASİTESİ ÇEKME OIL CAPACITY PULL (cm ³)	AĞIRLIK WEIGHT (Kg)
RSC - 100200S	100	200	389	589	175	90	ZCB65B	2863	1590	60.0
RSC - 100300S		300	489	789	175	90	ZCB65B	4294	2384	73.0
RSC - 200150S	200	150	317	467	228	135	ZCB65B	4253	2105	84.0
RSC - 200300S		300	467	767	228	135	ZCB65B	8506	4210	146.0
RSC - 250150S	250	150	361	511	270	180	ZCB65B	5446	1628	135.0
RSC - 250300S		300	511	811	270	180	ZCB65B	10892	3256	184.0

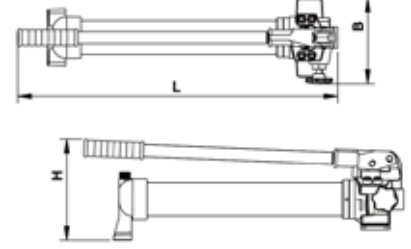
► **HİDROLİK DELİKLİ SİLİNDİRLER (TEK TESİRLİ YAY GERİ DÖNÜŞÜMLÜ)**
HYDRAULIC CYLINDERS SINGLE ACTING WITH HOLE



KOD STOCK CODE	ÇALIŞMA TONAJI CAPACITY (TON)	ÇALIŞMA STROKU STROKE (mm)	KAPALI BOY CLOSED HEIGHT (mm) (A)	AÇIK BOY OPEN HEIGHT (mm) (B)	SİLİNDİR DIŞ ÇAP CYLINDER DIAMETER (mm) (D)	SİLİNDİR PİSTON ÇAP STROKE DIAMETER (mm) (F)	SİLİNDİR PİSTON DELİK ÇAPI CENTER HOLE DIAMETER (mm) (G)	KULLANILAN POMPA MODELİ RECOMMENDED PUMP	YAĞ KAPASİTESİ OIL CAPACITY (cm ³)	AĞIRLIK WEIGHT (Kg)
RCH - 2050	20	50	161	211	98	54	27	CP-700B	146	7.5
RCH - 20100		100	223	323	98	54	27	CP-700B	292	10.0
RCH - 3050	30	50	180	230	114	63	33	CP-700B	239	9.0
RCH - 30100		100	246	346	114	63	33	CP-700B	477	14.5
RCH - 6050	60	50	247	297	158	91	54	CP-700A	402	30.2
RCH - 60100		100	304	404	158	91	54	CP-700A	803	36.2
RCH - 10075	100	75	276	351	212	127	80	CP-700A	1015	57.0

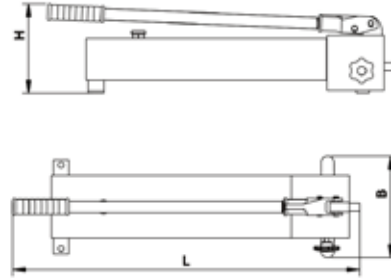
HİDROLİK YÜK KALDIRMA VE ÇEKTİRME EKİPMANLARI

► TEK TESİRLİ HİDROLİK POMPA SINGLE ACTING HYDRAULIC PUM



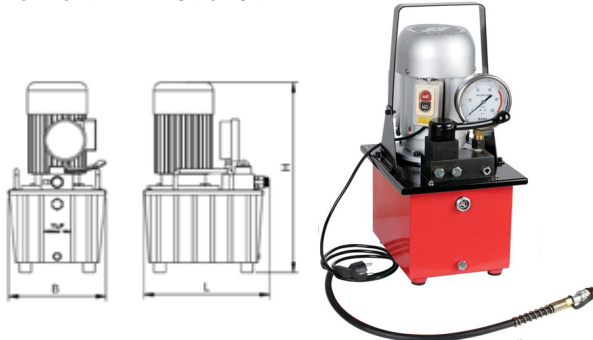
KOD STOCK CODE	ÇALIŞMA BASINCI WORKING PRESSURE (BAR)		BİRİM YAĞ GEÇİŞ MİKTARI OIL DISPLACEMENT PER STROKE (cm ³)		YAĞ KAPASİTESİ RESERVIOR (cm ³)		ÖLÇÜLER DIMENSIONS (mm)			AĞIRLIK WEIGHT (Kg)
	DÜŞÜK BASINÇ LOW PRESSURE	YÜKSEK BASINÇ HIGH PRESSURE	DÜŞÜK BASINÇ LOW PRESSURE	YÜKSEK BASINÇ HIGH PRESSURE	YAĞ KAPASİTESİ OIL CAPACITY	KULLANILABİLİR YAĞ KAPASİTESİ USABLE CAPACITY	L	B	H	
CP700B	20	700	13	2.3	1000	700	600	120	200	10.6
CP700A	20	700	13	2.3	3200	2700	715	120	200	16.8
CP1500B	20	1500	13	1.2	2500	2000	580	120	160	7.0

► ÇİFT TESİRLİ HİDROLİK POMPA DOUBLE ACTING HYDRAULIC PUM

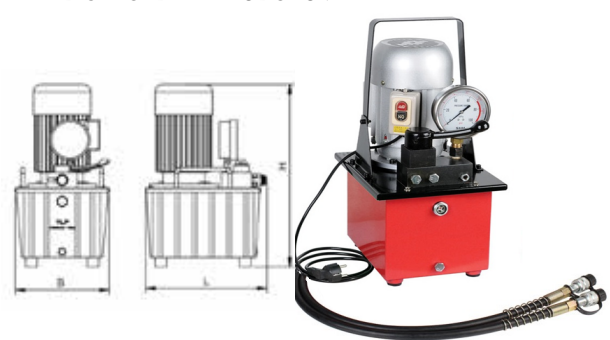


KOD STOCK CODE	ÇALIŞMA BASINCI WORKING PRESSURE (BAR)		BİRİM YAĞ GEÇİŞ MİKTARI OIL DISPLACEMENT PER STROKE (cm ³)		YAĞ KAPASİTESİ RESERVIOR (cm ³)		ÖLÇÜLER DIMENSIONS (mm)			AĞIRLIK WEIGHT (Kg)
	DÜŞÜK BASINÇ LOW PRESSURE	YÜKSEK BASINÇ HIGH PRESSURE	DÜŞÜK BASINÇ LOW PRESSURE	YÜKSEK BASINÇ HIGH PRESSURE	YAĞ KAPASİTESİ OIL CAPACITY	KULLANILABİLİR YAĞ KAPASİTESİ USABLE CAPACITY	L	B	H	
CP700	20	700	13	2.3	3500	3000	710	150	275	18.6

► ELEKTRİKLİ TEK TESİRLİ HİDROLİK POMPA ELECTRICAL HYDRAULIC PUMP

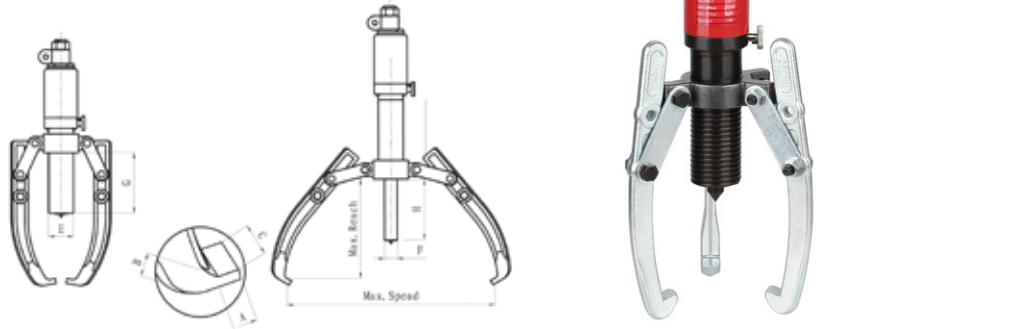


► ELEKTRİKLİ ÇİFT TESİRLİ HİDROLİK POMPA ELECTRICAL HYDRAULIC PUMP



KOD STOCK CODE	GÜÇ POWER (kw)	ÇALIŞMA BASINCI WORKING PRESSURE (BAR)		BİRİM YAĞ GEÇİŞ MİKTARI OIL DISPLACEMENT PER STROKE (lt/min)		YAĞ KAPASİTESİ RESERVIOR (lt)	ÖLÇÜLER DIMENSIONS (mm)			AĞIRLIK WEIGHT (Kg)
		DÜŞÜK BASINÇ LOW PRESSURE	YÜKSEK BASINÇ HIGH PRESSURE	DÜŞÜK BASINÇ LOW PRESSURE	YÜKSEK BASINÇ HIGH PRESSURE		L	B	H	
ZCB65	0.75	20	700	5	0,7	8	305	245	510	22.0
ZCB65B	0.75	20	700	5	0,7	8	305	245	510	26.0

► **HİDROLİK RULMAN ÇEKTİRME**
HYDRAULIC GEAR PULLER



KOD STOCK CODE	KAPASİTE CAPACITY (Ton)	AYAK AÇIKLIĞI SPREAD (mm)	AYAK DERİNLİĞİ MAX REACH (min)	ÇALIŞMA STROKU STROKE (mm)	ÖLÇÜLER DIMENSIONS (mm)						AĞIRLIK WEIGHT (Kg)
					E	F	G	A	B	C	
HRC5	5	50-200	140	50	45	12	140	12	22	26	7.6
HRC10	10	50-250	170	60	56	12	137	14	30	30	10.1
HRC20	20	100-350	205	70	78	12	150	21	33	33	18.6
HRC30	30	150-400	220	70	90	12	158	26	36	35	24.2

► **HİDROLİK BORU BÜKME (TEK TESİRLİ YAY GERİ DÖNÜŞLÜ)**
HYDRAULIC PIPE BENDER (SPRING RETURN)



KOD STOCK CODE	KAPASİTE CAPACITY (TON)	ÇALIŞMA STROCK WORKING STROKE (mm)	BORU BÜKME ÇAPI PIPE BENDER DIAMETER (mm)	KULLANILAN BÜKME KALIPLARI USED BENDER MOULD	AĞIRLIK WEIGHT (Kg)
SWG-2A	13	250	21.3 - 60	1/2", 3/4", 1", 1 1/4", 1 1/2", 2"	48.2
SWG-3B	20	290	21.3 - 88.5	1/2", 3/4", 1", 1 1/4", 1 1/2", 2", 2 1/2", 3"	100.5