

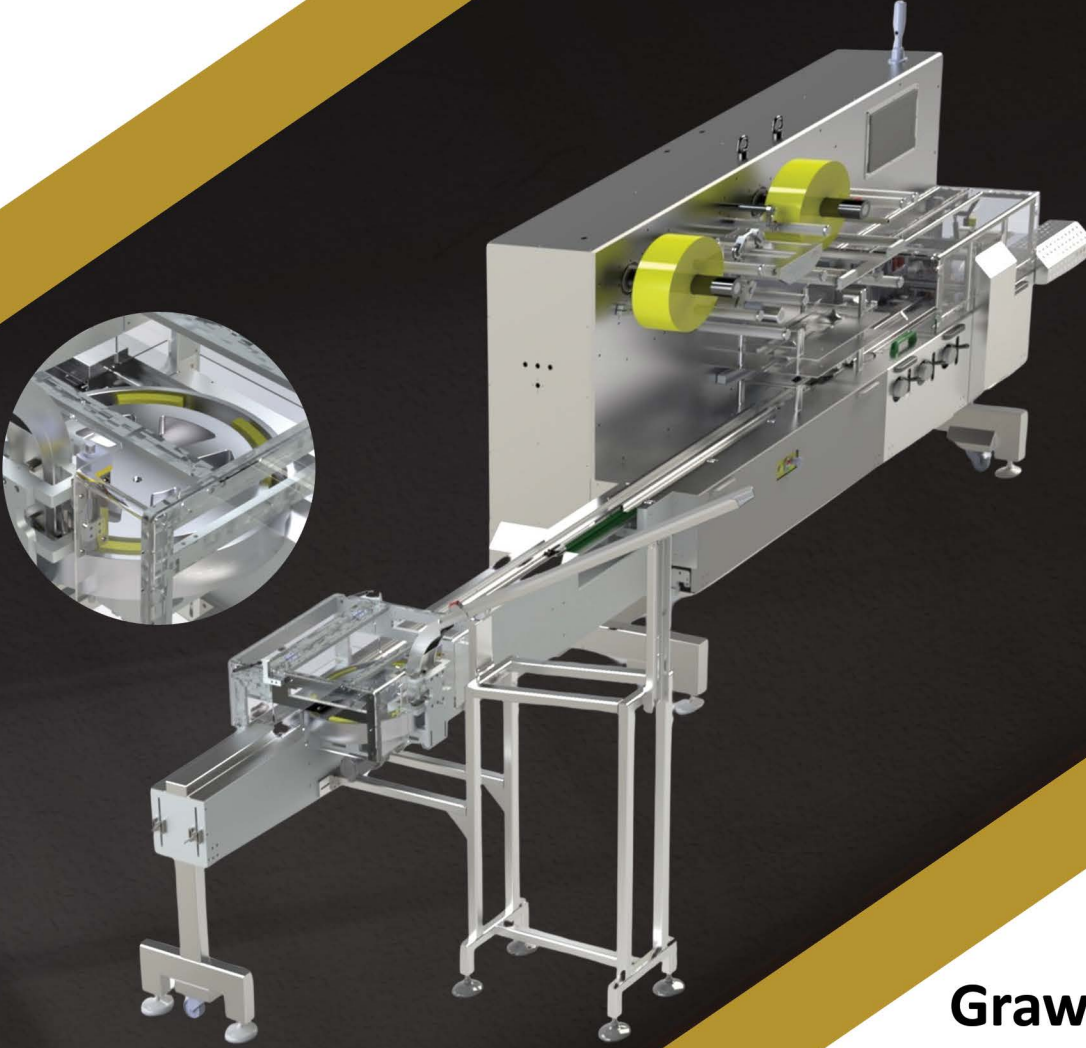


NOKTAMAKINA
machinery and automation solutions

APPTEC

Grawheel

**WE STAND BY
OUR WORK**



Grawwheel Gravity Semi Feeding

The Gravity Semi Feeding Grawwheel is an advanced machine featuring a rotary feeding system that utilizes cutting-edge technology and gravitational force to feed products onto the conveyor system of a packaging machine. The Grawwheel system efficiently handles both single and paired products, such as biscuits, transferring them seamlessly onto the packaging line.

This innovative machine offers significant time savings and enhances feeding speed, making it an invaluable tool for optimizing production efficiency. With its precise and reliable operation, the Gravity Semi Feeding Grawwheel delivers consistent performance, improving overall productivity in packaging processes.

Contact us for all your sales needs - our team is here to help

- www.noktamakina.com
- İstanbul - Türkiye

 **(+90) 549 760 60 76**

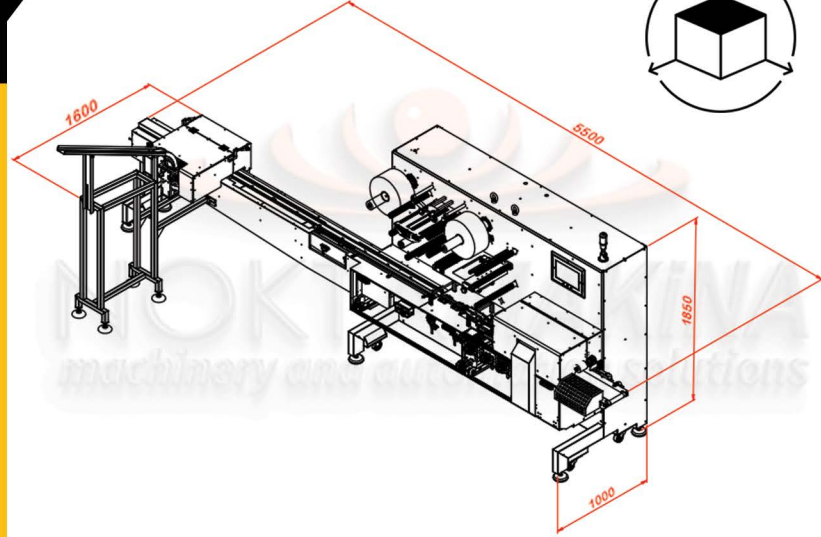
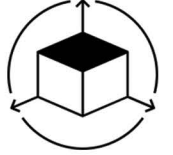
Dimension Range

PRODUCT SIZE RANGE

Length (Uzunluk)		Height (Yükseklik)		Width (Genişlik)	
Min.mm	Max.mm	Min.mm	Max.mm	Min.mm	Max.mm
25	300	5	60	18	120

FILM REEL DIMENSION

Max. Inner diameter	Max. Outer diameter	Max. width
76mm	350mm	350mm



Dimensions

Technical Features

Weight (Ağırlık) : 1800 kg

Power (Güç) : 30 kw - 45 A

Voltage (Voltaj) : 380 V (3Ph+N)

Disc Group (Disk Grubu) : 4 Pairs of discs (4 Çift disk)

Sealing Type (Yapıştırma Türü) : Cold / Hot (Soğuk / Sıcak)

Packaging Capacity (Paketleme Kapasitesi) : Up to 200 PPM



En

One of the key features of the Gravity Auto Feeding Grawheel is its ability to manage a variety of product types and sizes, whether they are fed individually or in pairs.

This versatility makes the machine an ideal solution for packaging lines that require flexibility without compromising on speed or quality. By utilizing gravity to assist in the feeding process, the machine reduces mechanical complexity and enhances reliability, ensuring minimal downtime and maintenance.

The benefits of integrating the Gravity Auto Feeding Grawheel into your packaging line are substantial. Its efficient feeding mechanism not only speeds up the packaging process but also contributes to significant time and labor savings.



Tr

Gravity Auto Feeding Grawheel'in en önemli özelliklerinden biri, ürünlerin tek tek veya çift olarak beslenmesine bakılmaksızın, farklı tür ve boyutlardaki ürünleri yönetme yeteneğidir.

Bu çok yönlülük, hızı veya kaliteden ödün vermeden esneklik gerektiren paketleme hatları için makineyi ideal bir çözüm haline getirir. Yerçekiminden yararlanarak besleme sürecine yardımcı olan bu makine, mekanik karmaşıklığı azaltır ve güvenilirliği artırır, böylece minimum arıza süresi ve bakım gereksinimi sağlar.

Gravity Auto Feeding Grawheel'in paketleme hattınıza entegre edilmesinin faydaları oldukça büyüktür. Verimli besleme mekanizması, paketleme sürecini hızlandırmakla kalmaz, aynı zamanda önemli ölçüde zaman ve iş gücü tasarrufu sağlar.



info@noktamakina.com

NOKTA OTOMASYON MAKİNA VE İNŞ. SAN. TİC. A.Ş.

@Noktamakina