

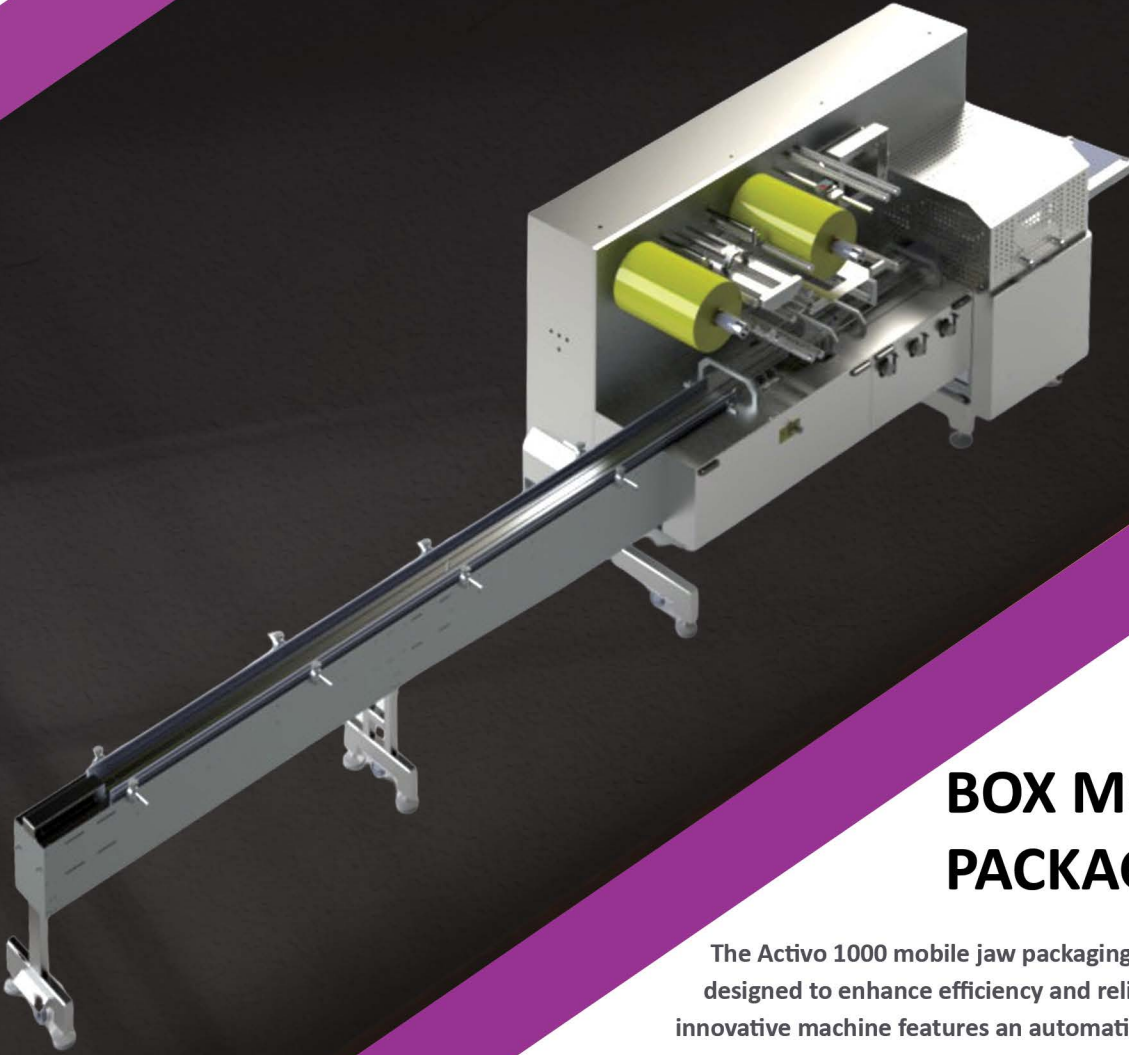


NOKTAMAKINA
machinery and automation solutions

APPTEC

**WE STAND BY
OUR WORK**

ACTIVO 1000



BOX MOTION PACKAGING MACHINE

The Activo 1000 mobile jaw packaging machine is a state-of-the-art model designed to enhance efficiency and reliability in packaging operations. This innovative machine features an automatic reel transfer system, which utilizes the movement from the Four servo motor, ensuring smooth and consistent operation. Constructed with a robust frame and conveyor structure made of stainless steel, the Activo 1000 is built to withstand the rigors of high-speed packaging. The heavy body design of the machine significantly reduces vibrations, even at high operational speeds, allowing for precise and stable performance. This stability ensures that the movable jaw can work at high capacity without encountering any operational issues. One of the key advantages of the Activo 1000 is its user-friendly maintenance.

Contact us for all your sales needs - our team is here to help

- www.noktamakina.com
- İstanbul - Türkiye

 **(+90) 549 760 60 76**

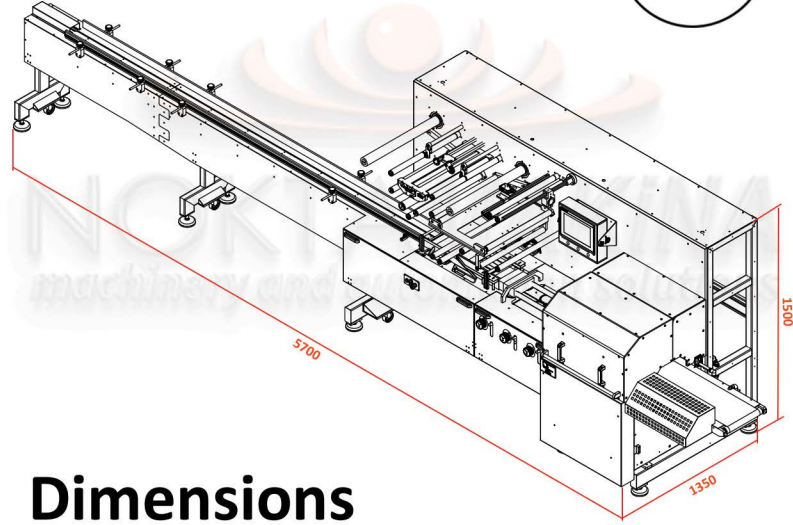
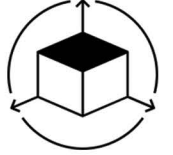
Dimension Range

PRODUCT SIZE RANGE

Length (Uzunluk)		Height (Yükseklik)		Width (Genişlik)	
Min.mm	Max.mm	Min.mm	Max.mm	Min.mm	Max.mm
50	700	10	85	50	250

FILM REEL DIMENSION

Max. Inner diameter	Max. Outer diameter	Max. width
76mm	350mm	700mm



Dimensions

Technical Features

Weight (Ağırlık) : **1350 kg**

Power (Güç) : **14 kw**

Voltage (Voltaj) : **380 (3Ph+N)**

Disc Group (Disk Grubu) : **4 Pairs of discs (4 Çift disk)**

Sealing Type (Yapıştırma Türü) : **Cold / Hot (Soğuk / Sıcak)**

Packaging Capacity (Paketleme Kapasitesi) : **Up to 90 PPM**



One of the standout features of the Active 1000 is its servo-driven rotary jaw mechanism. This system synchronizes the jaw speed with the spool speed during the sealing process, allowing the machine to handle both short and long products efficiently. The ability to adjust speeds ensures optimal performance across a wide range of product sizes, facilitating high-capacity operations without sacrificing quality. The Active 1000 represents a significant advancement in packaging technology, providing a reliable and versatile solution for various packaging needs. Trust in the Active 1000 to deliver exceptional performance, quality, and efficiency, revolutionizing the way you package your products.



Activo 1000'in öne çıkan özelliklerinden biri, servo tahrikli döner çene mekanizmasıdır. Bu sistem, sızdırmazlık işlemi sırasında çene hızını makara hızıyla senkronize eder ve makinenin hem kısa hem de uzun ürünleri verimli bir şekilde işlemesini sağlar. Hızların ayarlanabilmesi, çeşitli ürün boyutları için en uygun performansı garanti ederek yüksek kapasiteli operasyonları kaliteden ödün vermeden kolaylaştırır. Activo 1000, paketleme teknolojisinde önemli bir ilerlemeyi temsil eder ve çeşitli paketleme ihtiyaçları için güvenilir ve çok yönlü bir çözüm sunar. Activo 1000'e güvenerek olağanüstü performans, kalite ve verimlilik elde edin ve ürünlerinizi paketleme şeklinizde devrim yaratın.



info@noktamakina.com

NOKTA OTOMASYON MAKINA VE İNŞ. SAN. TIC. A.Ş.

@Noktamakina