

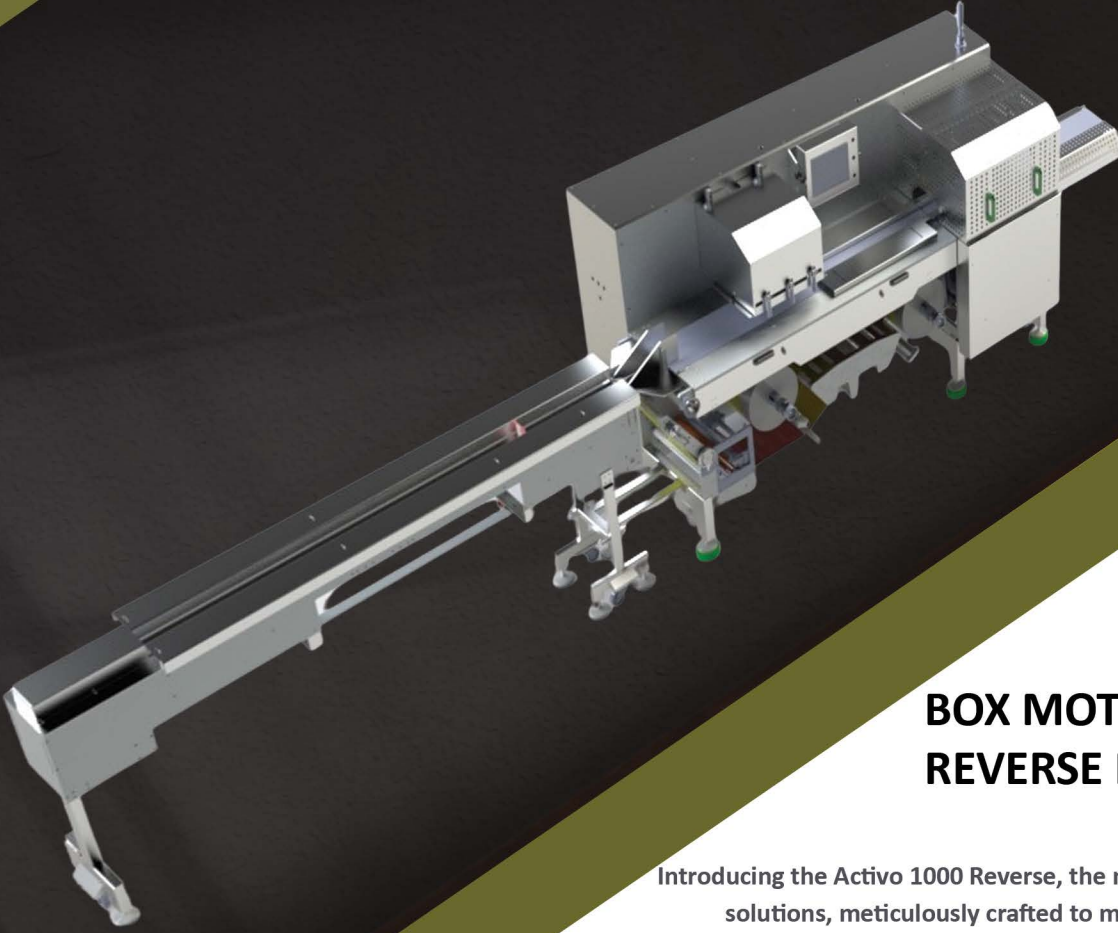


**NOKTAMAKINA**  
machinery and automation solutions

**APPTEC**

**WE STAND BY  
OUR WORK**

# ACTIVO 1000 R



## **BOX MOTION REVERSE PACKAGING MACHINE**

Introducing the Activo 1000 Reverse, the next generation of mobile jaw packaging solutions, meticulously crafted to meet and exceed the demands of modern packaging. Designed with state-of-the-art technology and innovative engineering, this machine is poised to handle higher, wider and longer products with unmatched speed and precision, setting new standards in packaging excellence.

The AC 1000 Reverse is built to cater to a diverse range of packaging needs, offering unparalleled efficiency and versatility. Whether your products are larger or require more complex handling, this machine is designed to adapt unified, ensuring your packaging process remains smooth and uninterrupted.

Contact us for all your sales needs - our team is here to help

- [www.noktamakina.com](http://www.noktamakina.com)
- İstanbul - Türkiye

 **(+90) 549 760 60 76**

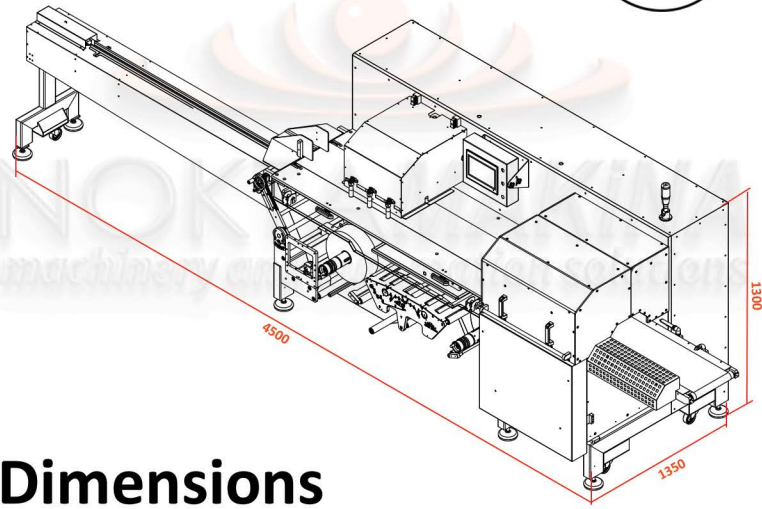
## Dimension Range

### PRODUCT SIZE RANGE

Length (Uzunluk)		Height (Yükseklik)		Width (Genişlik)	
Min.mm	Max.mm	Min.mm	Max.mm	Min.mm	Max.mm
50	700	10	85	50	250

### FILM REEL DIMENSION

Max. Inner diameter	Max. Outer diameter	Max. width
76mm	350mm	700mm



## Dimensions

## Technical Features

Weight (Ağırlık) : **1300 kg**

Power (Güç) : **14 kw**

Voltage (Voltaj) : **380 (3Ph+N)**

Disc Group (Disk Grubu) : **4 Pairs of discs (4 Çift disk)**

Sealing Type (Yapıştırma Türü) : **Cold / Hot (Soğuk / Sıcak)**

Packaging Capacity (Paketleme Kapasitesi) : **Up to 90 PPM**



En

With its state-of-the-art technology and innovative design, the Activo 1000 Reverse sets new standards in packaging excellence. It is engineered to provide a unified packaging experience, ensuring that even the most demanding products are handled with ease. This machine's advanced capabilities allow it to adapt to various packaging scenarios, making it an indispensable tool for businesses aiming to streamline their packaging processes.

The Activo 1000 Reverse is built with a focus on durability and reliability, ensuring that it delivers consistent performance over time. Its robust construction and high-quality components guarantee that it can withstand the rigors of daily use, making it a long-term investment for any packaging operation.



Tr

En son teknolojiye sahip olmasıyla ve yenilikçi tasarımı ile Activo 1000 Reverse, paketleme mükemmeliğinde yeni standartlar belirler. En zorlu ürünlerin bile kolayca işlenmesini sağlayarak birleşik bir paketleme deneyimi sunmak için tasarlanmıştır. Bu makinenin gelişmiş yetenekleri, çeşitli paketleme senaryolarına uyum sağlamasına olanak tanır ve paketleme süreçlerini kolaylaştırmayı amaçlayan işletmeler için vazgeçilmez bir araç haline getirir.

Activo 1000 Reverse, dayanıklılık ve güvenilirlik odaklı üretilmiştir ve zamanla tutarlı performans sunar. Sağlam yapısı ve yüksek kaliteli bileşenleri, günlük kullanıma dayanacak şekilde garanti eder ve her türlü paketleme operasyonu için uzun vadeli bir yatırım yapmanızı sağlar.



info@noktamakina.com

NOKTA OTOMASYON MAKINA VE İNŞ. SAN. TIC. A.Ş.

@Noktamakina