

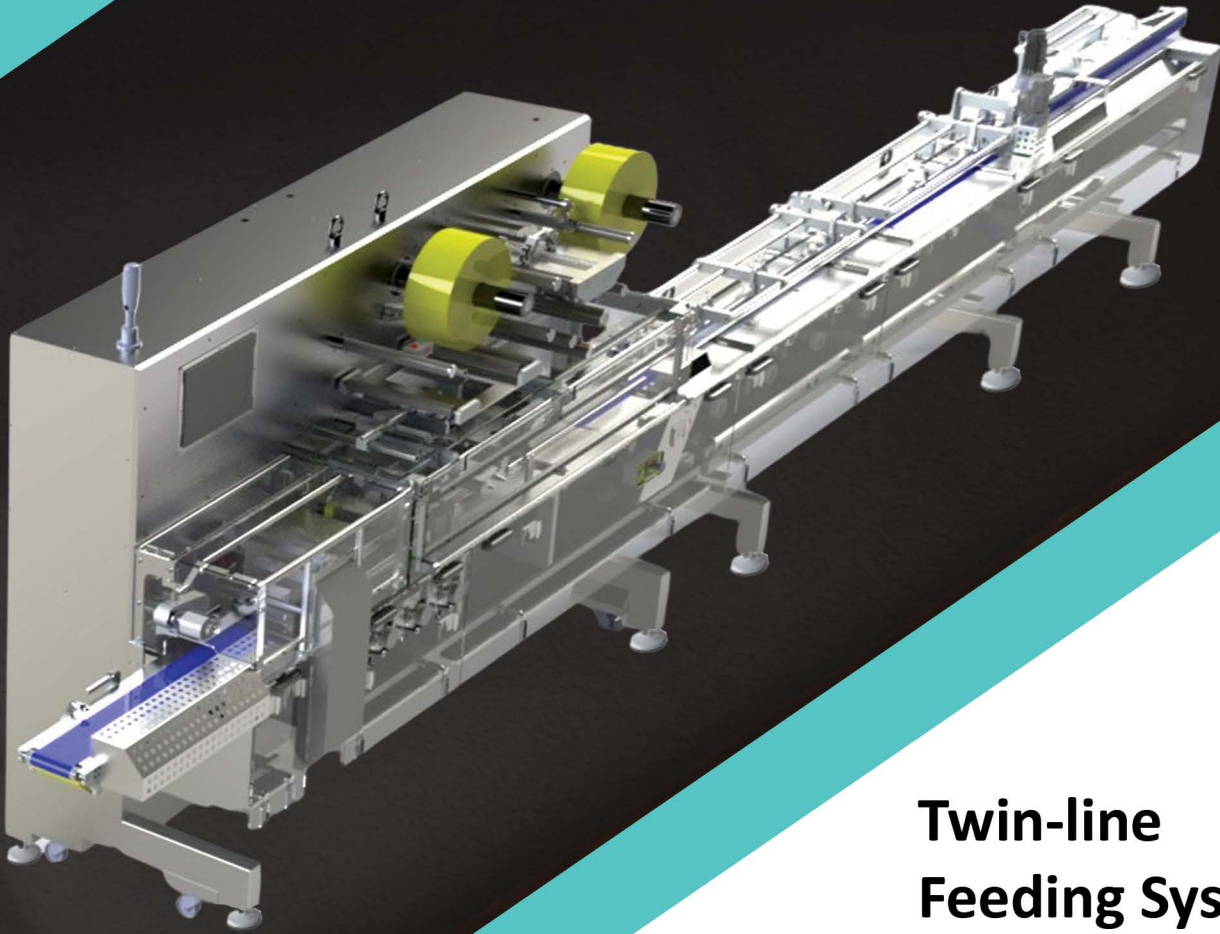


**NOKTAMAKINA**  
machinery and automation solutions

**APPTEC**

**WE STAND BY  
OUR WORK**

# Twin-line



## Twin-line Feeding System

The Twin-line System is an advanced packaging solution designed for efficiency and precision. Featuring an intuitive touch screen interface and high-speed Ethernet connectivity, it ensures seamless control and communication. The system's robust construction includes a hybrid cable connection motor for fast processing and real-time diagnostics, with remote access capabilities to reduce maintenance time and costs. Key features include precise tension control, rapid system check cycles for high accuracy, and storage for up to 1000 product settings. Fast-response PID controlled heaters, servo-motorized components and a durable stainless-steel body compliant with international food standards ensure reliable performance. The Twin-line System is ideal for modern packaging needs, offering versatility and consistent quality.

Contact us for all your sales needs - our team is here to help

- [www.noktamakina.com](http://www.noktamakina.com)
- İstanbul - Türkiye



**(+90) 549 760 60 76**

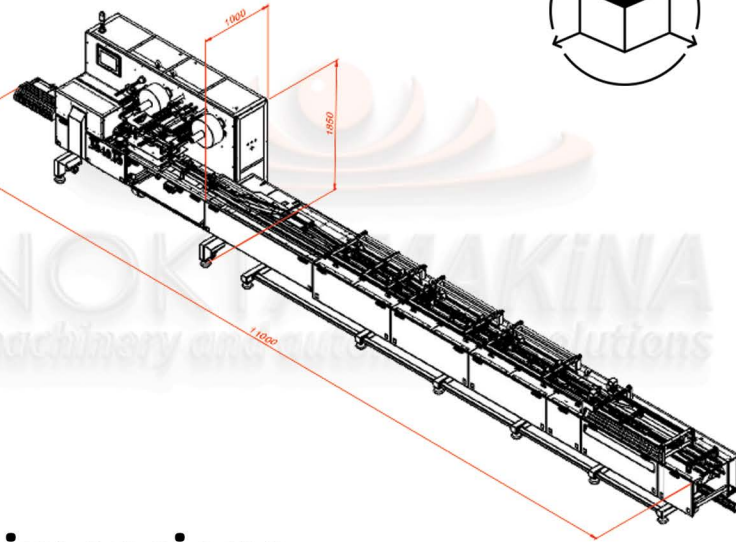
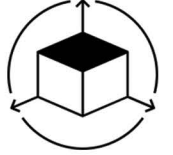
## Dimension Range

### PRODUCT SIZE RANGE

Length (Uzunluk)		Height (Yükseklik)		Width (Genişlik)	
Min.mm	Max.mm	Min.mm	Max.mm	Min.mm	Max.mm
25	300	5	60	18	120

### FILM REEL DIMENSION

Max. Inner diameter	Max. Outer diameter	Max. width
76mm	350mm	350mm



## Dimensions

## Technical Features

Weight (Ağırlık) : 1600 kg

Power (Güç) : 30 kw - 45 A

Voltage (Voltaj) : 380 V (3Ph+N)

Disc Group (Disk Grubu) : 4 Pairs of discs (4 Çift disk)

Sealing Type (Yapıştırma Türü) : Cold / Hot (Soğuk / Sıcak)

Packaging Capacity (Paketleme Kapasitesi) : 600 PPM



En

The Twinline System Machine is an innovative packaging solution designed to enhance productivity and efficiency. Featuring an intuitive touch screen interface, it allows for seamless control and easy adjustments. The system leverages high-speed Ethernet connectivity to ensure fast and reliable communication between components. The machine offers precise tension control with an independent coil servo motor and electronic tension sensor and its rapid system check cycle ensures exceptional production accuracy. Users can store up to 1000 product settings, streamlining the transition between different production runs.



Tr

Twinline Sistem Makinesi, üretkenliği ve verimliliği artırmak için tasarlanmış yenilikçi bir paketleme çözümdür. Sezgisel bir dokunmatik ekran arayüzüne sahip olup, kesintisiz kontrol ve kolay ayarlama olanağı sağlar. Sistem, bileşenler arasında hızlı ve güvenilir iletişim sağlamak için yüksek hızlı Ethernet bağlantısından yararlanır. Makine, bağımsız bobin servo motoru ve elektronik gerilim sensörüyle hassas gerilim kontrolü sunar ve hızlı sistem kontrol döngüsü, olağanüstü üretim doğruluğu sağlar. Kullanıcılar 1000'e kadar ürün ayarını saklayarak farklı üretim çalışmaları arasındaki geçişi kolaylaştırabilir.



info@noktamakina.com

NOKTA OTOMASYON MAKİNA VE İNŞ. SAN. TİC. A.Ş.

@Noktamakina