

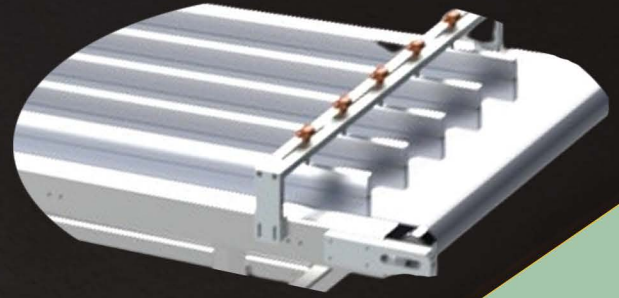
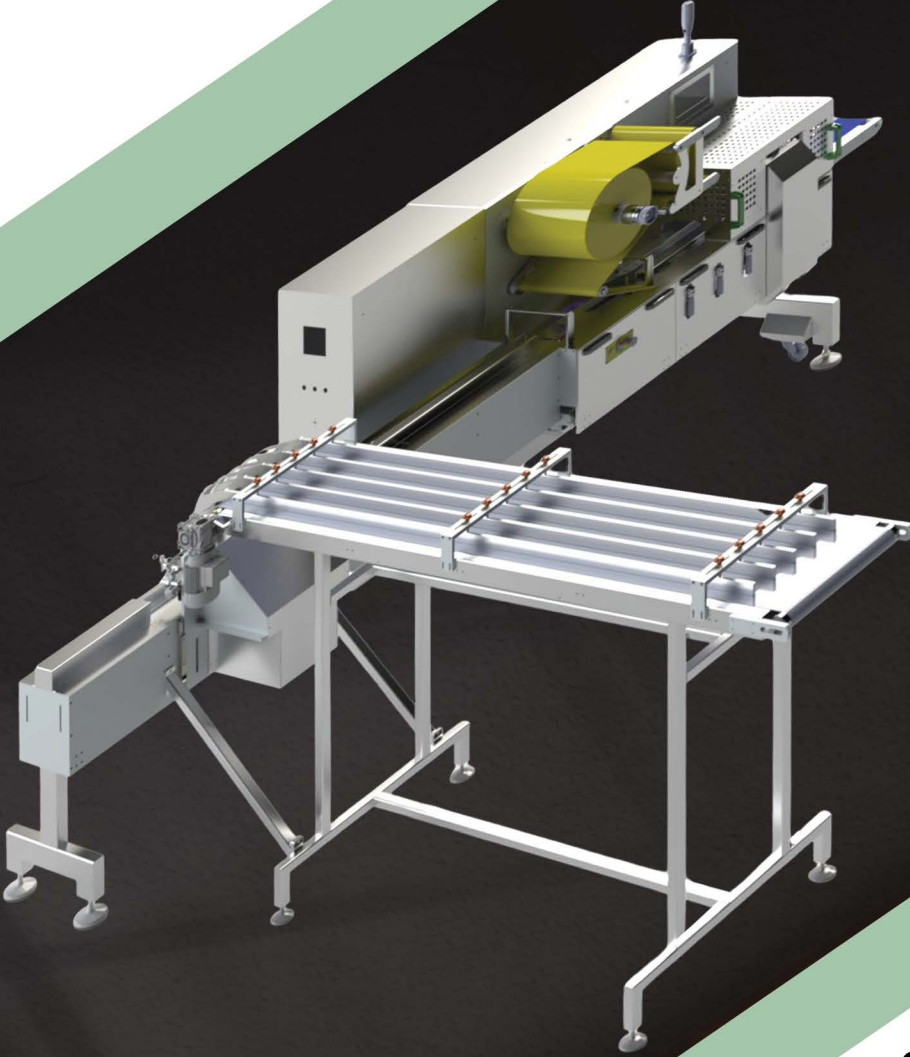


NOKTAMAKINA
machinery and automation solutions

APPTEC

**WE STAND BY
OUR WORK**

Magazine



Semi Magazine Feeding

The Semi Magazine Feeding system is a highly efficient solution designed to streamline the transition of products from the production line to the packaging process. This system is formed by manually feeding products from the line into the magazine feeding unit, where they are systematically organized and prepared for subsequent packaging operations. Its versatility is one of its standout features, as it can accommodate a diverse range of product shapes, including round, square, and rectangular items. This makes it an ideal choice for businesses dealing with a variety of product types, ensuring that the packaging process remains smooth and efficient regardless of the item's shape.

Contact us for all your sales needs - our team is here to help

- www.noktamakina.com
- İstanbul - Türkiye



(+90) 549 760 60 76

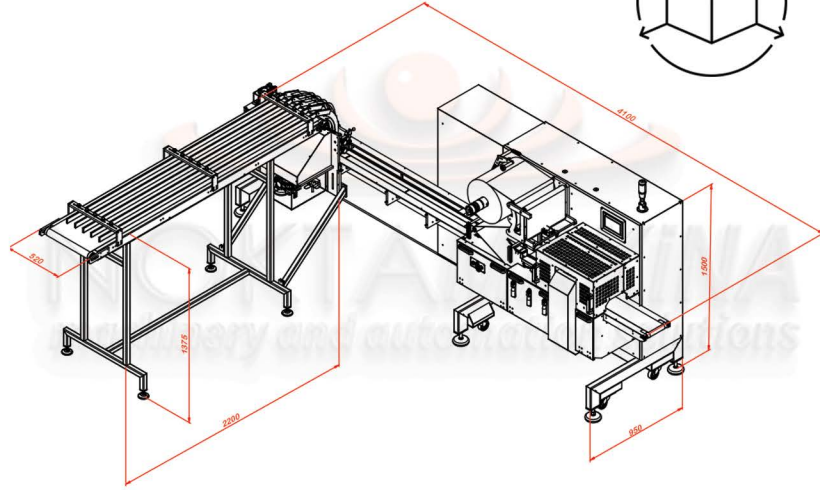
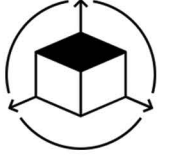
Dimension Range

PRODUCT SIZE RANGE

Length (Uzunluk)		Height (Yükseklik)		Width (Genişlik)	
Min.mm	Max.mm	Min.mm	Max.mm	Min.mm	Max.mm
50	700	10	85	50	250

FILM REEL DIMENSION

Max. Inner diameter	Max. Outer diameter	Max. width
76mm	350mm	700mm



Dimensions

Technical Features

Weight (Ağırlık) : 1300 kg

Power (Güç) : 8 kw - 12 A

Voltage (Voltaj) : 380 (3Ph+N)

Disc Group (Disk Grubu) : 4 Pairs of discs (4 Çift disk)

Sealing Type (Yapıştırma Türü) : Cold / Hot (Soğuk / Sıcak)

Packaging Capacity (Paketleme Kapasitesi) : Up to 120 PPM



 En

This system not only optimizes the packaging process but also significantly reduces manual handling, thereby minimizing the risk of errors and ensuring consistent product quality. By automating the magazine feeding process, businesses can achieve higher throughput, better resource utilization and enhanced overall efficiency. The Auto Magazine Feeding system is a valuable addition to any packaging line, offering a reliable and scalable solution that adapts to the evolving needs of your business. Investing in the Auto Magazine Feeding system means investing in a smarter, more efficient packaging process. With its adaptability, reliability and ease of integration, this system is designed to grow with your business, helping you maintain a competitive edge in the market.

 Tr

Bu sistem, paketleme sürecini optimize etmekle kalmaz, aynı zamanda manuel işlemleri önemli ölçüde azaltarak hata riskini en aza indirir ve tutarlı ürün kalitesini sağlar. Magazine besleme sürecini otomatikleştirerek, işletmeler daha yüksek verim, daha iyi kaynak kullanımı ve genel verimlilik artışı elde edebilir. Auto Magazine Feeding sistemi, her paketleme hattı için değerli bir eklenti olup, işletmenizin gelişen ihtiyaçlarına uyum sağlayabilen güvenilir ve ölçeklenebilir bir çözümdür.

Auto Magazine Feeding sistemine yatırım yapmak, daha akıllı ve daha verimli bir paketleme sürecine yatırım yapmak anlamına gelir. Bu sistemin uyarlabilirliği, güvenilirliği ve entegrasyon kolaylığı sayesinde, işletmenizin büyümesine paralel olarak gelişecek şekilde tasarlanmıştır ve pazarda rekabet avantajınızı korumanıza yardımcı olur.



 info@noktamakina.com

 NOKTA OTOMASYON MAKINA VE İNŞ. SAN. TIC. A.Ş.

 @Noktamakina