

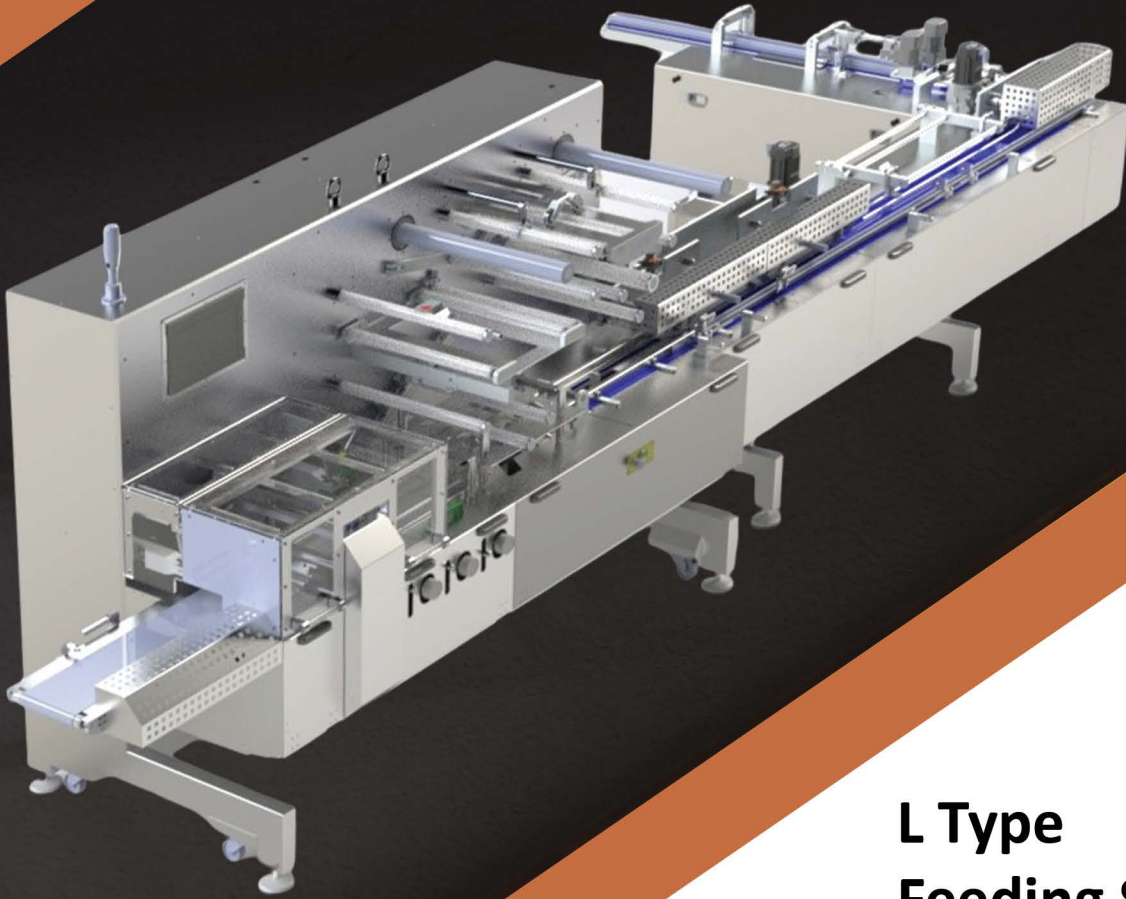


NOKTAMAKINA
machinery and automation solutions

APPTEC

**WE STAND BY
OUR WORK**

L Type



L Type Feeding System

The L-Type Feeding System is an efficient and versatile solution for manual product feeding in packaging operations. Designed to facilitate the seamless transfer of products from the production line onto conveyor belts, this system enhances the overall efficiency of packaging processes. With a working capacity of up to 300-350 packs per minute, it ensures a steady and rapid flow of Products, significantly boosting productivity. This feeding system can be easily integrated with various packaging machines, offering flexibility to meet different capacity and line requirements. Its adaptable design makes it suitable for a wide range of packaging environments, providing reliable performance regardless of the specific application.

Contact us for all your sales needs - our team is here to help

- www.noktamakina.com
- İstanbul - Türkiye

 **(+90) 549 760 60 76**

Dimension Range

PRODUCT SIZE RANGE

Length (Uzunluk)		Height (Yükseklik)		Width (Genişlik)	
Min.mm	Max.mm	Min.mm	Max.mm	Min.mm	Max.mm
25	300	5	60	18	120

FILM REEL DIMENSION

Max. Inner diameter	Max. Outer diameter	Max. width
76mm	350mm	350mm



Technical Features

Weight (Ağırlık) : 1600 kg

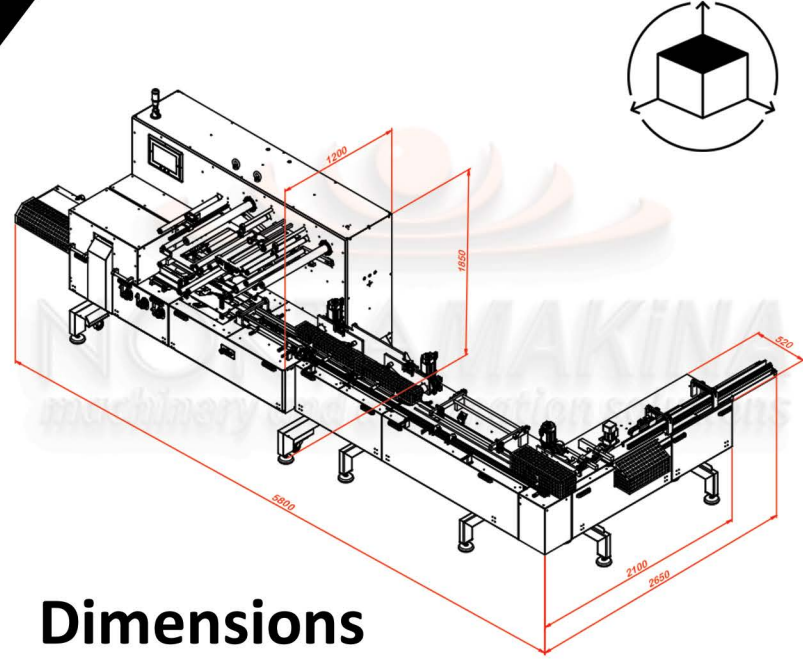
Power (Güç) : 20 kw - 30 A

Voltage (Voltaj) : 380 V (3Ph+N)

Disc Group (Disk Grubu) : 4 Pairs of discs (4 Çift disk)

Sealing Type (Yapıştırma Türü) : Cold / Hot (Soğuk / Sıcak)

Packaging Capacity (Paketleme Kapasitesi) : Up to 60 PPM



Dimensions



This system is versatile and can be integrated with various packaging machines, making it suitable for different capacities and line requirements. Its flexibility allows it to adapt to diverse packaging environments, ensuring reliable performance across various applications. Ideal for businesses seeking to improve their packaging operations, the L-Type Feeding System reduces manual feeding bottlenecks and enhances the overall workflow. Its efficient design and high capacity make it a valuable addition to any packaging line, providing a reliable and effective solution for manual feeding needs.



Bu sistem çok yönlüdür ve çeşitli paketleme makinelerine entegre edilebilir; bu da onu farklı kapasitelere ve hat gereksinimlerine uygun hale getirir. Esnekliği, çeşitli paketleme ortamlarına uyum sağlamasına olanak tanıyarak çeşitli uygulamalarda güvenilir performans sağlar. Paketleme operasyonlarını geliştirmek isteyen işletmeler için ideal olan L Tipi Besleme Sistemi, manuel besleme darboğazlarını azaltır ve genel iş akışını iyileştirir. Verimli tasarımı ve yüksek kapasitesi, onu her türlü paketleme hattına değerli bir katkı haline getirerek manuel besleme ihtiyaçları için güvenilir ve etkili bir çözüm sunar.



info@noktamakina.com

NOKTA OTOMASYON MAKINA VE İNŞ. SAN. TIC. A.Ş.

@Noktamakina