

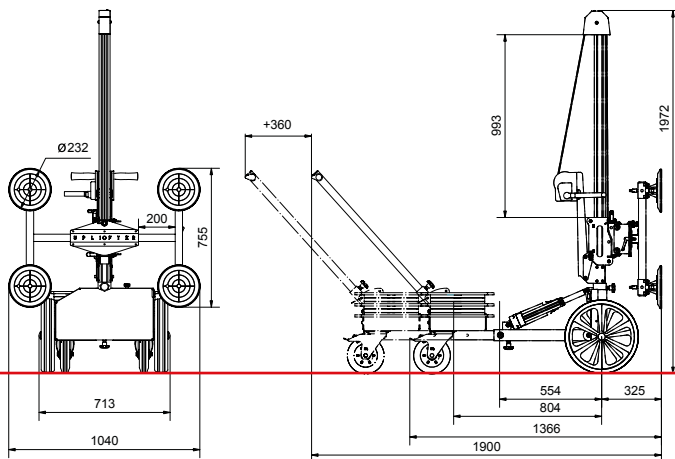
UPT250

Transport | Uplifter



Load capacity	250 kg
Working height max.	ca. 1,7 m <i>Center vacuum cross</i>
Indoor	
Outdoor suitable	
Dead weight*	240 - 245 kg
Length*	1,900 m
Wide*	0,713 m
Height*	1,972 m
Accessories	electric winch, downward inclined extension, forward extension, adapter for tipping up, side shift, bracket incl. electric suction cups

*depending on equipment



Quickly dismantled into individual parts, the UPT250 even fits into a car and can be transported to hard-to-reach areas.



TIP

Optionally, the UPT250 is also with electric hand vacuums available. This enables the suction of glass, metal, plastic, wood, tile, concrete, sheetrock, and other rough surfaces.



See the detailed application on our **YouTube** channel.

A **tilting unit** is available as an accessory and enables the transport of **doors, tiles** and **sheet goods** as well as assembly in one step.