

NEW



UPT400

Transport | Uplifter

- Load capacity max. **400 kg**
- Silicone-free suction plates (electric hand vacuum)
- Electric winch for lifting and lowering
- Uncomplicated and quick assembly/disassembly
- Total width: 685 mm without vacuum system
- Total height 1,898 mm
- Mast can be swivelled by 90°
- Mast tilts and tilts +8° to -18°
- Solid rubber tyres
- Non-slip handle
- Own weight approx. 425 kg
- Manual side shift (+/- 55 mm)



Uplifter GmbH & Co.KG

Oberaich 5 | 92543 Guteneck
T +49 9433 204990
www.uplifter.de



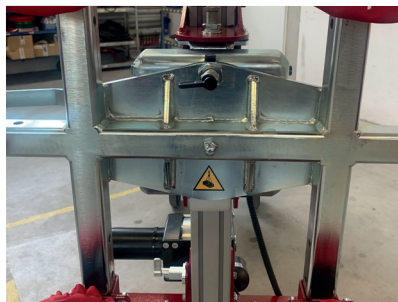
TIP

Use the Grabo technology with AA batteries or Grabo Plus with rechargeable battery to also be able to suction surfaces such as stone, tiles or wood.



TIP

Manual side shift for maximum flexibility during assembly without unnecessary manoeuvring.



With winch electrically adjustable in height.






Arrangement of the vacuum plates adjustable.
The vacuum cross can be rotated and swivelled.

Removable counterweights for easier transport.

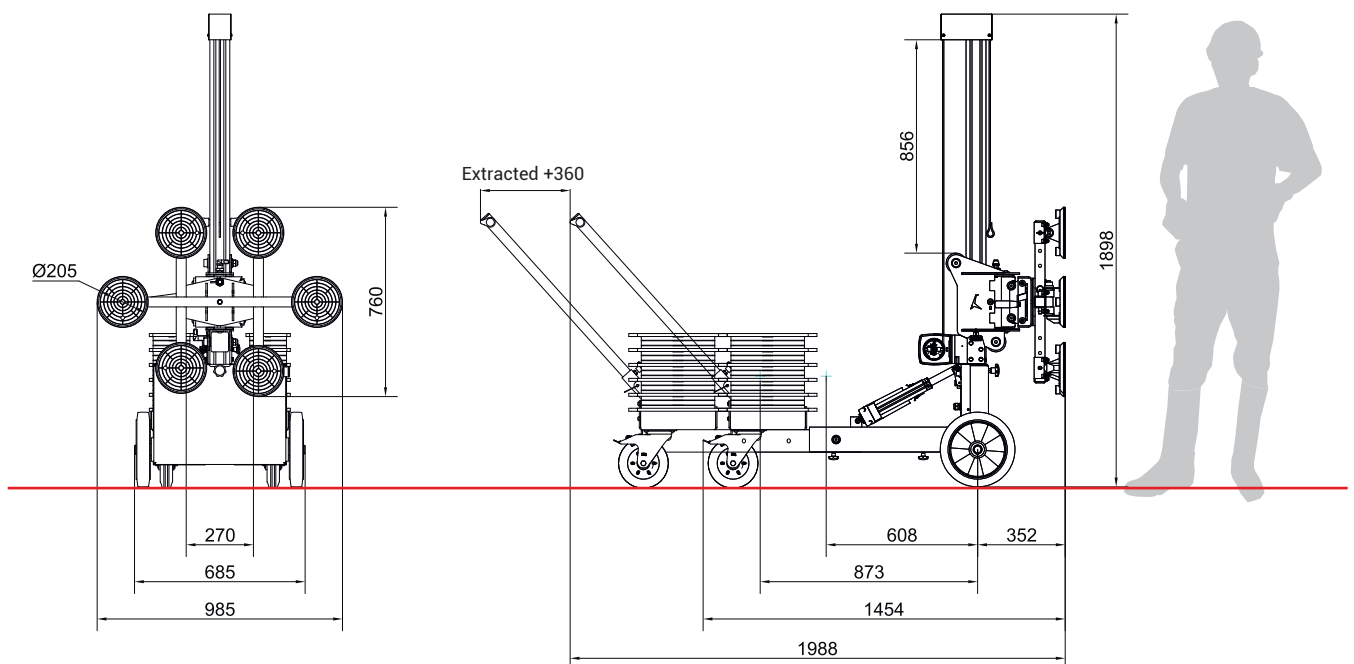
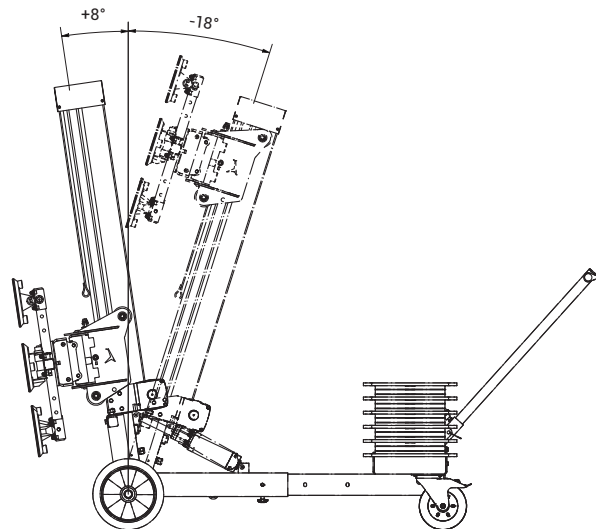
NEW

UPT400

Transport | Uplifter

Load capacity	 400 kg
Suction disc quantity*	 6 pieces
Curved panes	
Side shift	
Tilt and incline	
Dead weight max.	425,0 kg
Height	1,898 m
Width	0,685 m
Tilt angle	+8° to -18° electrical
Swivel	90°

* with AA batteries



Uplifter

GW 1125

You can find interesting videos with areas of application on **YouTube**.

Subscribe to our channel to learn more about the possibilities of our machines. From **instruction videos** to construction site applications, it's all there.