

BEFARD XPR 500

MULTIFUNCIONAL VACUUM GRIPPER



The BEFARD XPR 500 vacuum gripper is a suction cup both for mounting plates sandwich panels, wall and roof panels, as well as assembly and moving of windows, windows, large-size tiles and other flat surfaces.

DEVICE'S FEATURES XPR 500

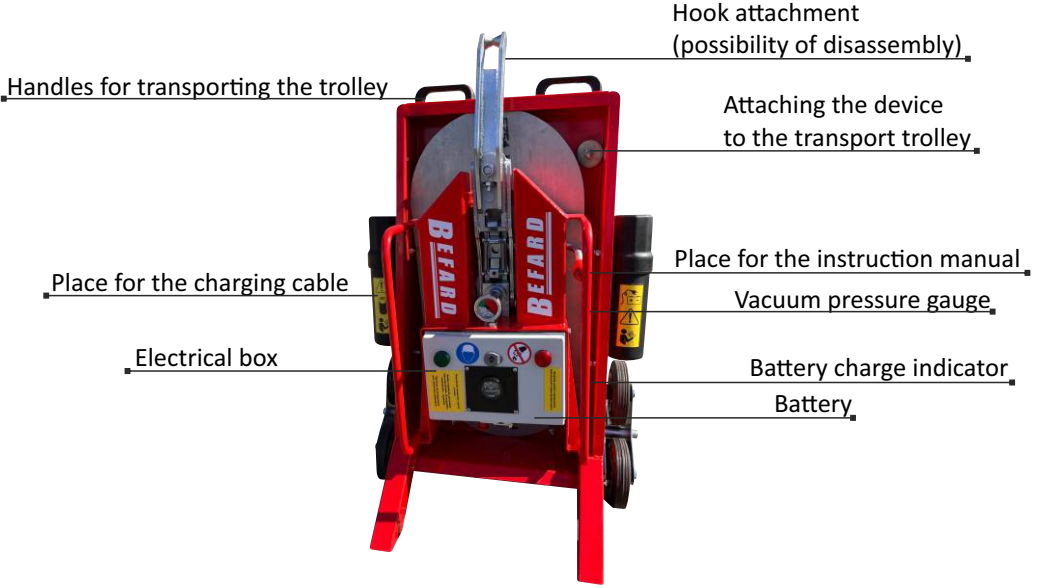
- maximum load capacity of the standard suction plate - 500kg
- dimensions of the standard suction plate 800x400
- 12V battery power supply
- charger included
- weight 44 kg, weight of the transport trolley 24 kg
- noise <78 dB
- single-circuit vacuum system
- temperature range +3°C to +40°C
- min/max working vacuum -0,6/-0,8 bar
- integrated digital vacuum measuring and monitoring device
- compact design with a trolley for transport

OPTIONAL EQUIPMENT

- suction plate 1000x500 (capacity 1000kg)
- remote control (for vacuum)
- two-circuit vacuum system



GRIPPER WITH TRANSPORT TROLLEY

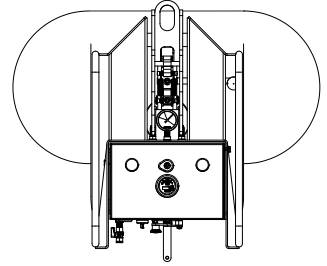
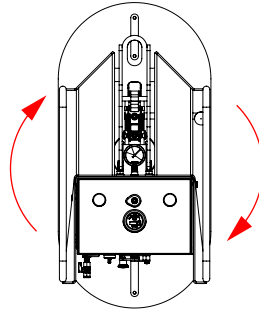
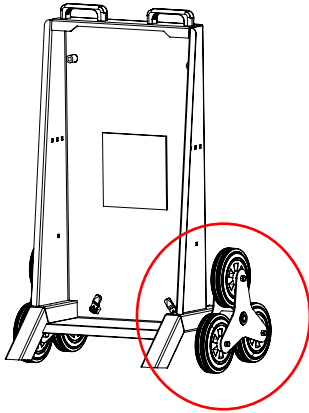


Radio remote control (optional)



Trolley adapted to stairs

Possibility of rotation of the body relative to suction cups 360° with lock every 90°



DIMENSIONS OF THE BEFARD XPR 500 GRIPPER

