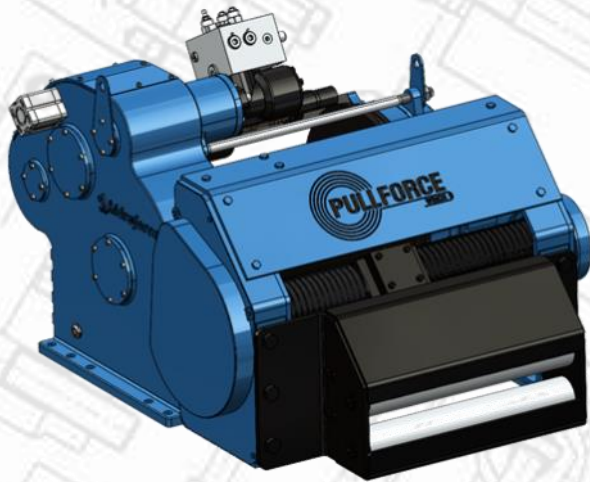


# PF-SS 30-00



Double speed towing and recovery winch for commercial and service vehicles. This model has a rigid planetary gear, disc brake system, automatic roller fairlead and steel cast body ready for challenging tasks. Different configurations are available upon request. Fully compliant with EN 14492 and SAE J706. Additional equipment and accessories are available as well.

### ADDITIONAL EQUIPMENT

**Standard package:**

- Rope
- Pressure roller
- Pneumatic freespool
- Hydraulic inlet G 1/2"
- Automatic roller fairlead
- Double speed working mode

**Optional:**

- Radio control system
- ECU & IQAN equipment
- 18 pcs M20 mounting bolts
- Hydraulic control valve with manual lever

### SPECIFICATIONS

Maximum pulling capacity	30000 kg 66138 lbs
Maximum rope length	67 m 220 ft
Recommended wire rope	24 mm 15/16" in
High torque hydraulic motor	130 cc 7,93 in <sup>3</sup>
Maximum pump flow rate	75 l/min 19,81 gal/min
Max working pressure	200 bar 2900 psi
Winch	500 kg 1100 lbs

### LINE PULL AND LINE SPEED PERFORMANCE

Winding layer	Pulling capacity (kg/lbs)	Rope speed / High speed mode (m/min - ft/min)	Rope speed / Low speed mode (m/min - ft/min)	Rope length (m/ft)
1	30000 / 66138	6 / 19,6	3 / 9,8	13,25 / 43,4
2	25384 / 55963	7,1 / 23,3	3,5 / 11,4	28,9 / 94,8
3	22000 / 48501	8,4 / 27,5	4,2 / 13,7	46,9 / 153
4	19411 / 42795	9,5 / 31	4,8 / 15,7	67 / 220

### APPLICATION AREAS



Heavy-duty tow trucks



Lowbed semi-trailers



Towing and recovery vehicles

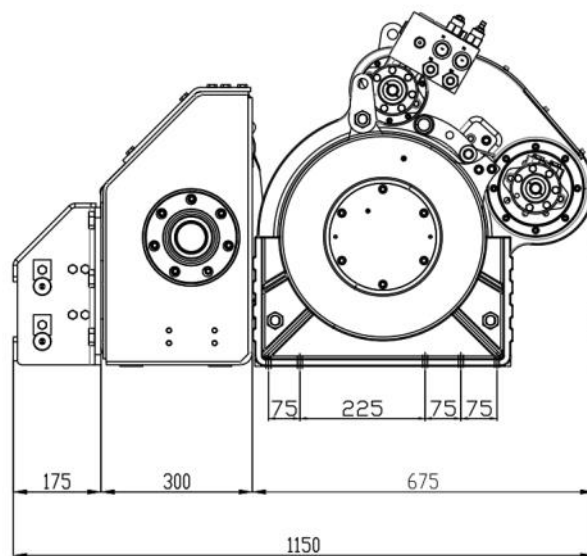
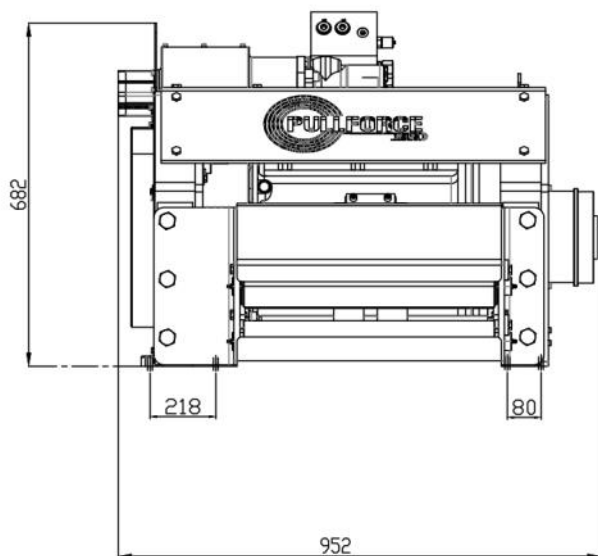


Trailers



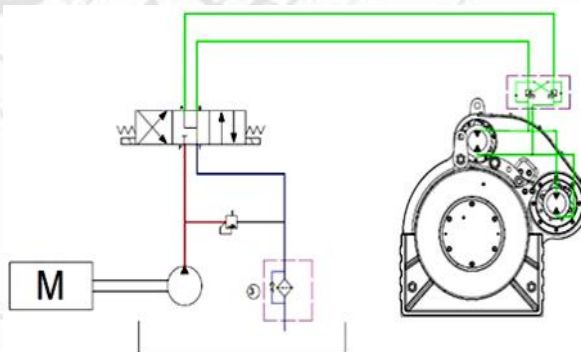
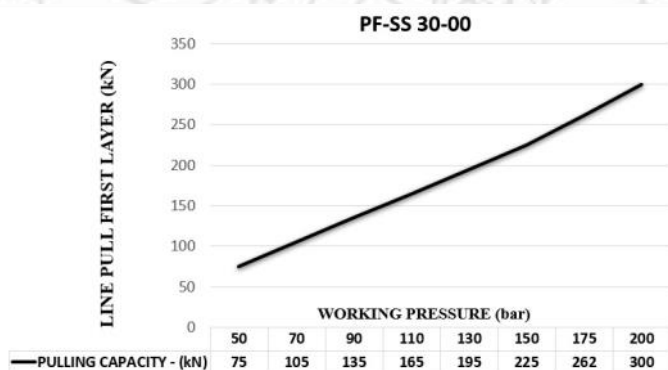
Offroad trucks

**DIMENSIONS**



**HYDRAULIC PERFORMANCE**

**HYDRAULIC CURCUIT**



**FEATURES**

- Gear Reduction:** 71.88 : 1
- Gear Type:** Single stage planetary with specially designed gear system
- Winch Construction:** Steel cast body reinforced with heat-treatment
- Braking:** Negative hydraulic disc brake system
- Drum Rotation:** Clockwise, or counter clockwise rotation as required
- Roller Guides:** Automatic with commercial type with large diameter rollers and grease ways
- Free spooling:** Standard pneumatic freespool

**ATTENTION**

**WARRANTY**



These winches should not be used for lifting and there should be at least 5 wraps of wire rope on the drum. The data shown are for maximum pressure and maximum flow and should be used as a reference only.

Each new winch is guaranteed against defects in workmanship and material defects for a period of 24 months from date of purchase. Wire ropes are not included under warranty.

Special series