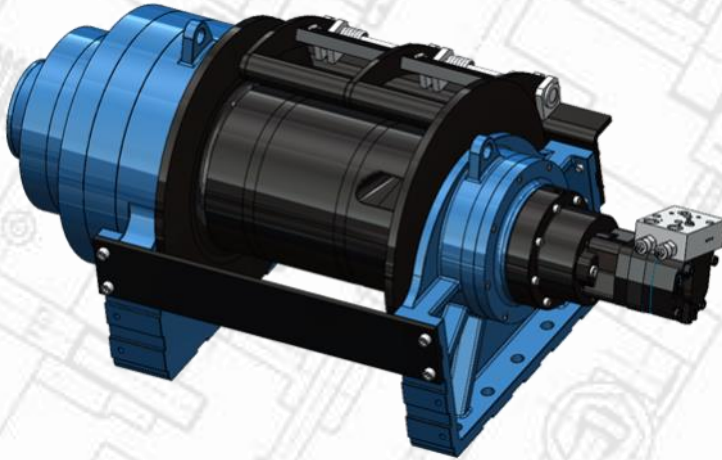


PF-HS 35-00



Towing and recovery winch for commercial and service vehicles. This model has a rigid planetary gear, disc brake system and steel cast body ready for challenging tasks. Different configurations are available upon request. Fully compliant with EN 14492 and SAE J706. Additional equipment and accessories are available as well.

ADDITIONAL EQUIPMENT

Standard package:

- Rope
- Roller fairlead
- Pressure roller
- Pneumatic freespool
- Hydraulic inlet G 1/2"

Optional:

- Radio control system
- ECU & IQAN equipment
- 10 pcs M22 mounting bolts
- Hydraulic control valve with manual lever

SPECIFICATIONS

Maximum pulling capacity	35000 kg 77161 lbs
Maximum rope length	69 m 226,4 ft
Recommended wire rope	26 mm 1 1/32" in
High torque hydraulic motor	200 cc 12,2 in ³
Maximum pump flow rate	75 l/min 19,81 gal/min
Max working pressure	175 bar 2538 psi
Winch	540 kg 1190 lbs

LINE PULL AND LINE SPEED PERFORMANCE

Winding layer	Pulling capacity (kg/lbs)	Rope speed (m/min - ft/min)	Rope length (m/ft)
1	35000 / 77161	3 / 9,8	13,7 / 44,9
2	29693 / 65463	3,6 / 11,8	29,85 / 97,9
3	25784 / 56845	4,2 / 13,7	48,46 / 159
4	22785 / 50232	4,7 / 15,4	69 / 226,4

APPLICATION AREAS



Heavy-duty tow trucks



Lowbed semi-trailers



Towing and recovery vehicles

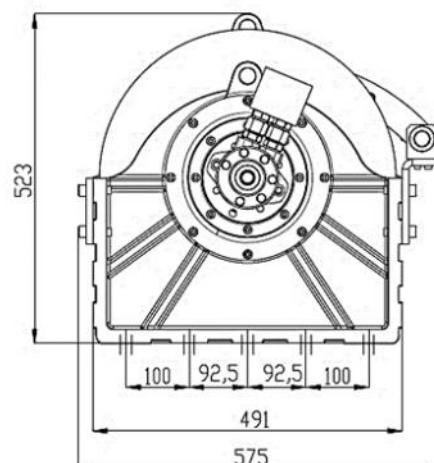
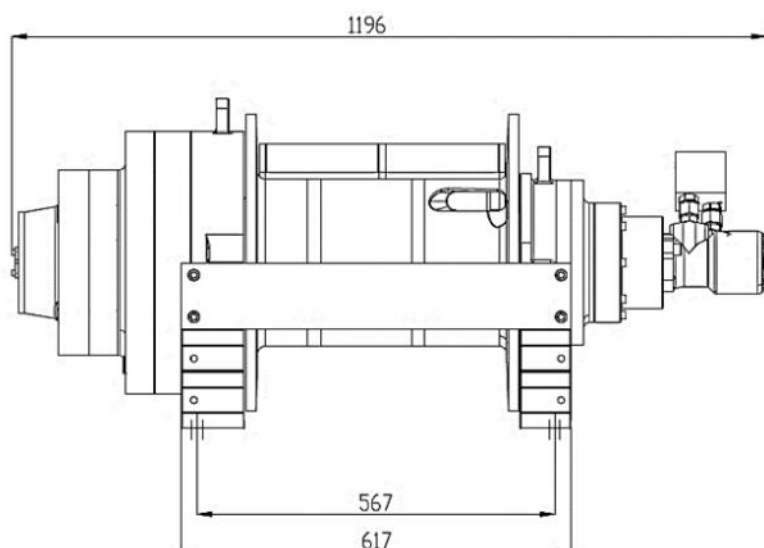


Trailers

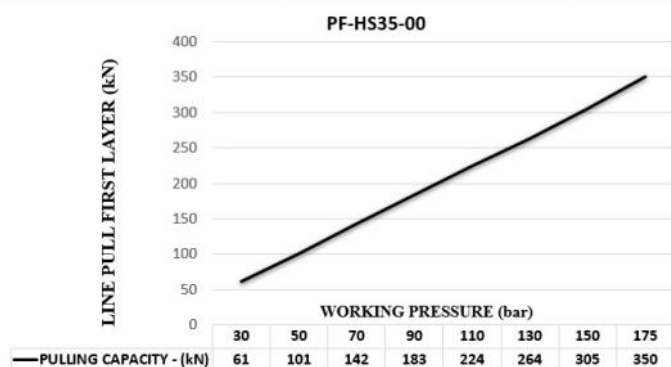


Offroad trucks

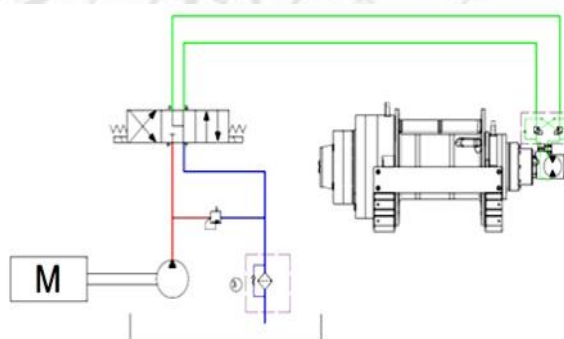
DIMENSIONS



HYDRAULIC PERFORMANCE



HYDRAULIC CURCUIT



Heavy series

FEATURES

- Gear Reduction:** 104.33 : 1
- Gear Type:** Three stage planetary
- Winch Construction:** Steel cast body reinforced with heat-treatment
- Braking:** Negative hydraulic disc brake system
- Drum Rotation:** Clockwise, or counter clockwise rotation as required
- Roller Guides:** Commercial type with large diameter rollers and grease ways
- Free spooling:** Standard pneumatic freespool

ATTENTION



These winches should not be used for lifting and there should be at least 5 wraps of wire rope on the drum. The data shown are for maximum pressure and maximum flow and should be used as a reference only.

WARRANTY

Each new winch is guaranteed against defects in workmanship and material defects for a period of 24 months from date of purchase. Wire ropes are not included under warranty.