

PF-MS 15-00-S



Towing and recovery winch for commercial and service vehicles with a vertically positioned motor. This model has a rigid planetary gear, disc brake system and steel cast body ready for challenging tasks. Different configurations are available upon request. Fully compliant with EN 14492 and SAE J706. Additional equipment and accessories are available as well.

ADDITIONAL EQUIPMENT

Standard package:

- Rope
- Roller fairlead
- Pressure roller
- Pneumatic freespool
- Hydraulic inlet G 1/2"

Optional:

- Radio control system
- ECU & IQAN equipment
- M16 mounting bolts
- Hydraulic control valve with manual lever

SPECIFICATIONS

Maximum pulling capacity	15000 kg 33069 lbs
Maximum rope length	37 m 121 ft
Recommended wire rope	18 mm 7/10" in
Hydraulic motor	250 cc 15,2 in ³
Maximum pump flow rate	60 l/min 15,85 gal/min
Max working pressure	175 bar 2538 psi
Winch	210 kg 462 lbs

LINE PULL AND LINE SPEED PERFORMANCE

Winding layer	Pulling capacity (kg/lbs)	Rope speed (m/min - ft/min)	Rope length (m/ft)
1	15000 / 33069	4,6 / 15,2	7,5 / 24,7
2	13064 / 28802	5,3 / 17,5	8,7 / 28,7
3	11571 / 25510	6 / 19,7	10 / 32,8
4	10384 / 22894	6,7 / 22	11,2 / 36,9

APPLICATION AREAS



Towing and recovery vehicles



Heavy tow trucks

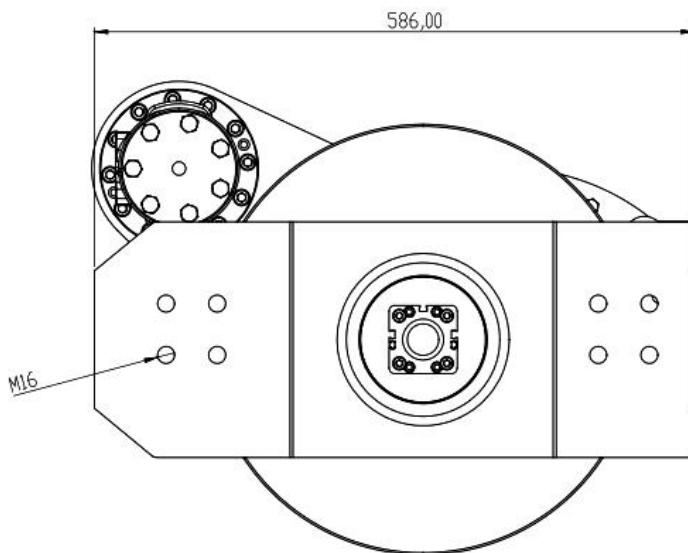
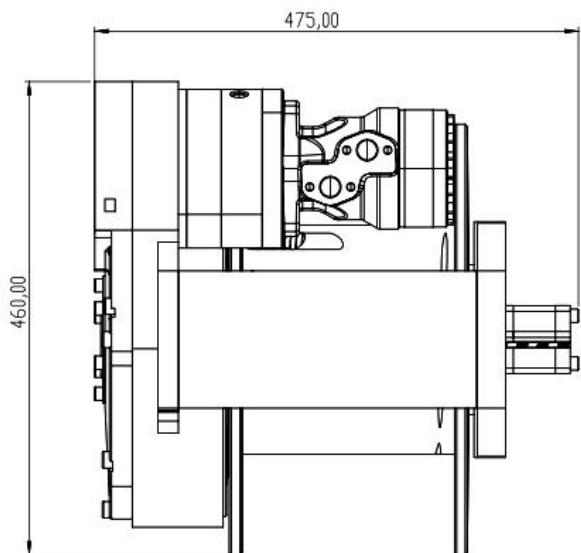


Agricultural and forestry vehicles



Military vehicles

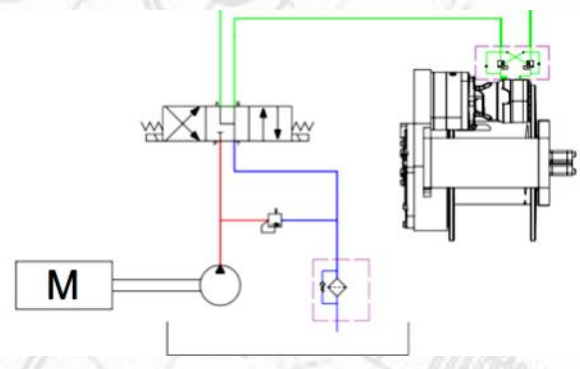
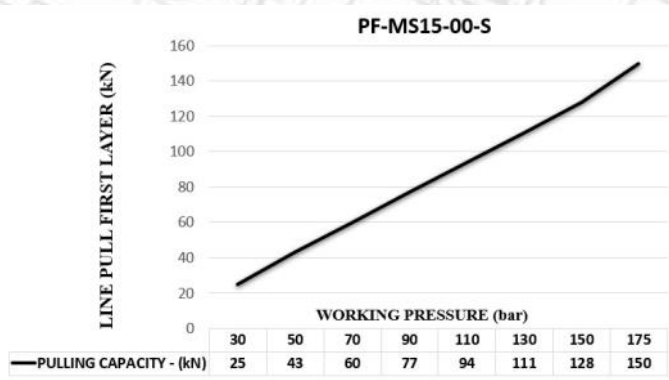
DIMENSIONS



Medium series

HYDRAULIC PERFORMANCE

HYDRAULIC CURCUIT



FEATURES

- Gear Reduction:** 41.25 : 1
- Gear Type:** Two stage planetary
- Winch Construction:** Steel cast body reinforced with heat-treatment
- Braking:** Negative hydraulic disc brake system
- Drum Rotation:** Clockwise, or counter clockwise rotation as required
- Roller Guides:** Commercial type with large diameter rollers and grease ways
- Free spooling:** Standard pneumatic freespool

ATTENTION

WARRANTY



These winches should not be used for lifting and there should be at least 5 wraps of wire rope on the drum. The data shown are for maximum pressure and maximum flow and should be used as a reference only.

Each new winch is guaranteed against defects in workmanship and material defects for a period of 24 months from date of purchase. Wire ropes are not included under warranty.