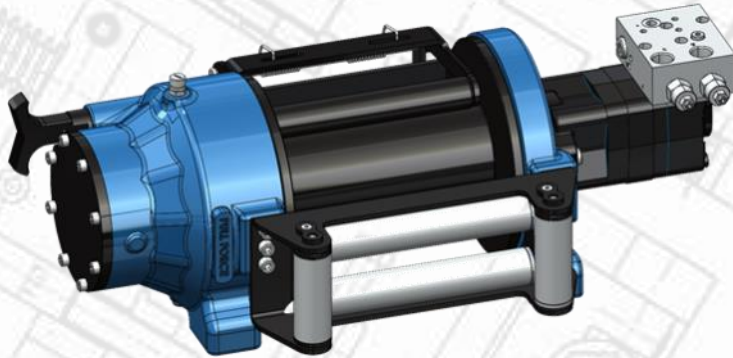


PF-LS 9.8-00



Towing and recovery winch for cars and commercial vehicles. This effective and durable model has a planetary gear design, disc brake system and reinforced aluminum cast body ready for challenging tasks. Different configurations are available upon request. Fully compliant with EN 14492 and SAE J706. Additional equipment and accessories are available as well.

ADDITIONAL EQUIPMENT

Standard package:

- Rope
- Roller fairlead
- Pressure roller
- Manual freespool
- Hydraulic inlet G 1/2"

Optional:

- Pneumatic freespool
- Radio control system
- ECU & IQAN equipment
- 16 pcs M12 mounting bolts
- Hydraulic control valve with manual lever

SPECIFICATIONS

Maximum pulling capacity	9800 kg 21605 lbs
Maximum rope length	33 m 108,3 ft
Recommended wire rope	14 mm 9/16"
High torque hydraulic motor	400 cc 24,4 in ³
Maximum pump flow rate	75 l/min 19,81 gal/min
Max working pressure	200 bar 2900 psi
Winch	85 kg 188 lbs

LINE PULL AND LINE SPEED PERFORMANCE

Winding layer	Pulling capacity (kg/lbs)	Rope speed (m/min - ft/min)	Rope length (m/ft)
1	9800 / 21605	12,5 / 41	6 / 19,7
2	7867 / 17343	16 / 52,5	13,5 / 44,3
3	6571 / 14486	18,3 / 60	22,5 / 73,8
4	5642 / 12438	21,4 / 70,2	33 / 108,2

APPLICATION AREAS



Agricultural and forestry vehicles



Disaster relief vehicles



Tow trucks

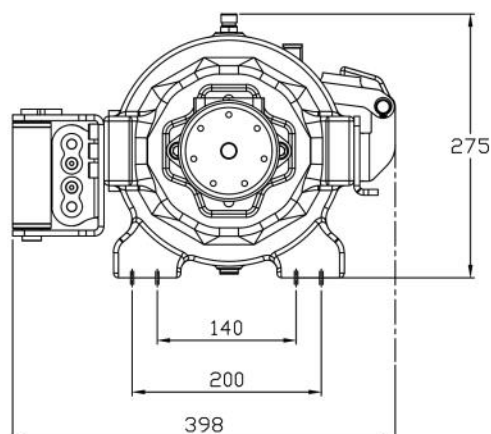
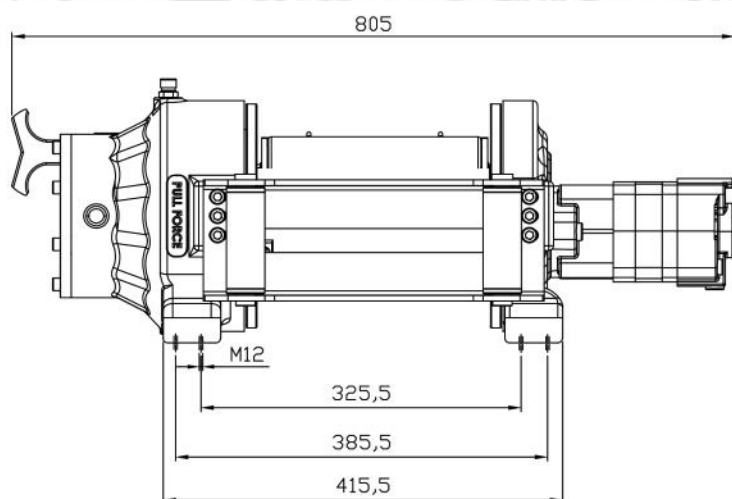


Military vehicles

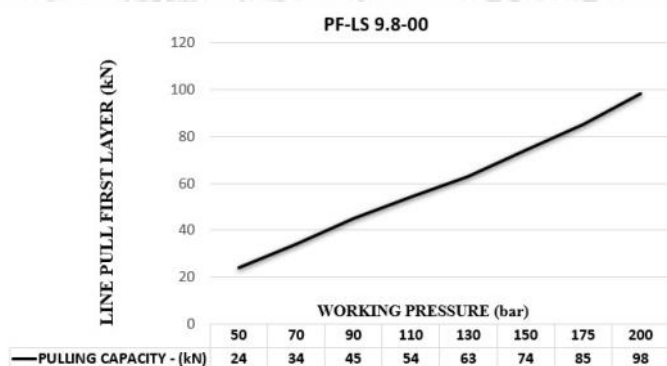


Offroad vehicles

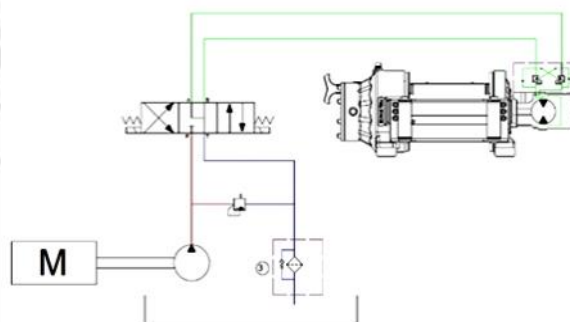
DIMENSIONS



HYDRAULIC PERFORMANCE



HYDRAULIC CURCUIT



FEATURES

- Gear Reduction:** 5.2 : 1
- Gear Type:** Single stage planetary
- Winch Construction:** Aluminum cast body reinforced with heat-treatment
- Braking:** Negative hydraulic disc brake system
- Drum Rotation:** Clockwise, or counter clockwise rotation as required
- Roller Guides:** Commercial type with large diameter rollers and grease ways
- Free spooling:** Standard manual lever freespool. Optional pneumatic freespool

ATTENTION



These winches should not be used for lifting and there should be at least 5 wraps of wire rope on the drum. The data shown are for maximum pressure and maximum flow and should be used as a reference only.

WARRANTY

Each new winch is guaranteed against defects in workmanship and material defects for a period of 24 months from date of purchase. Wire ropes are not included under warranty.