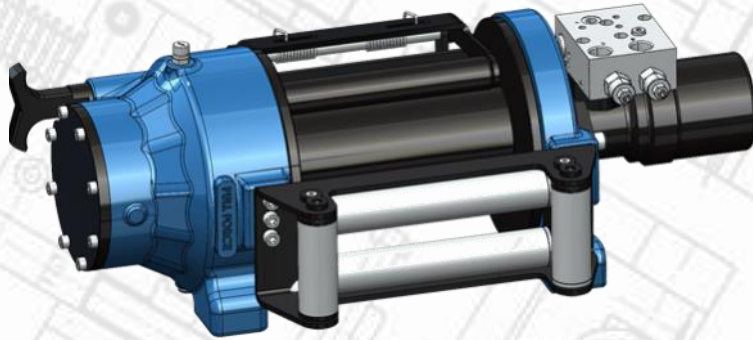


PF-LS 5.8-00



Towing and recovery winch for cars and commercial vehicles. This effective and durable model has a planetary gear design, disc brake system and reinforced aluminum cast body ready for challenging tasks. Different configurations are available upon request. Fully compliant with EN 14492 and SAE J706. Additional equipment and accessories are available as well.

ADDITIONAL EQUIPMENT

Standard package:

- Rope
- Roller fairlead
- Pressure roller
- Manual freespool
- Hydraulic inlet G 1/2"

Optional:

- Pneumatic freespool
- Radio control system
- ECU & IQAN equipment
- 16 pcs M12 mounting bolts
- Hydraulic control valve with manual lever

SPECIFICATIONS

Maximum pulling capacity	5800 kg 12786 lbs
Maximum rope length	50 m 164 ft
Recommended wire rope	12 mm 1/2" in
Hydraulic motor	315 cc 19,2 in ³
Maximum pump flow rate	60 l/min 15,85 gal/min
Max working pressure	175 bar 2538 psi
Winch	80 kg 176 lbs

LINE PULL AND LINE SPEED PERFORMANCE

Winding layer	Pulling capacity (kg/lbs)	Rope speed (m/min - ft/min)	Rope length (m/ft)
1	5800 / 12786	12,40 / 40,6	7 / 22
2	4775 / 10527	15 / 49,2	15,5 / 50
3	4060 / 8950	17,7 / 58	25,5 / 83,7
4	3530 / 7782	20,30 / 66,6	37 / 121,4
5	3125 / 6890	23 / 75,4	50 / 164

APPLICATION AREAS



Agricultural and forestry vehicles



Disaster relief vehicles



Tow trucks

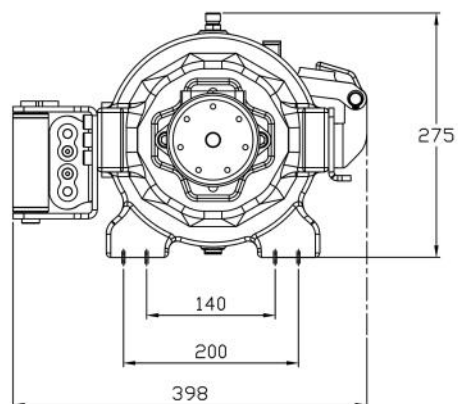
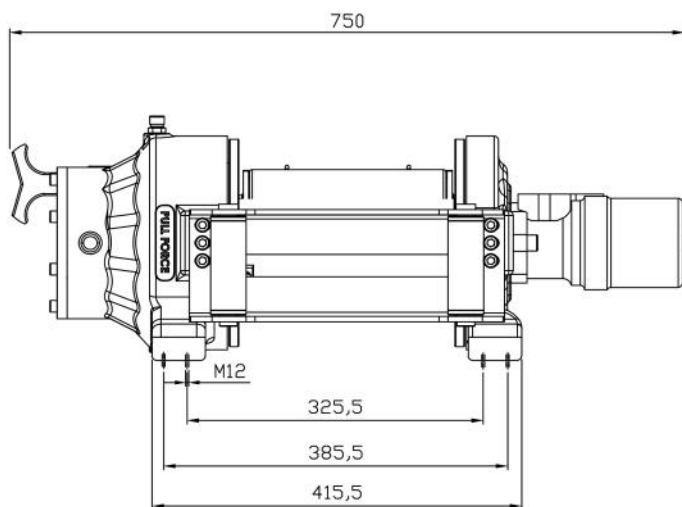


Military vehicles

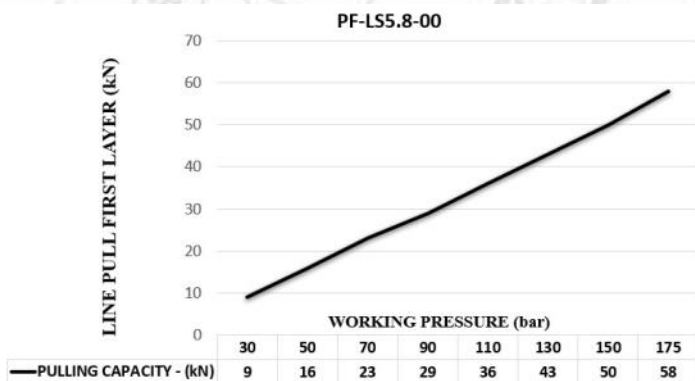


Offroad vehicles

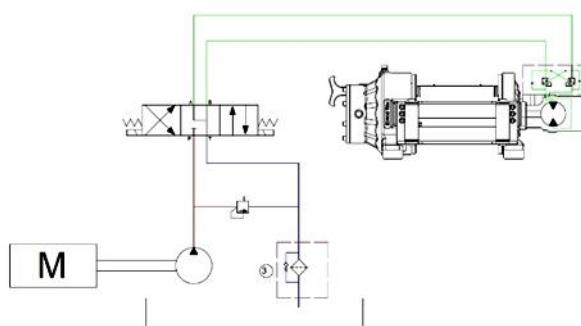
DIMENSIONS



HYDRAULIC PERFORMANCE



HYDRAULIC CURCUIT



FEATURES

- Gear Reduction:** 5.2 : 1
- Gear Type:** Single stage planetary
- Winch Construction:** Aluminum cast body reinforced with heat-treatment
- Braking:** Negative hydraulic disc brake system
- Drum Rotation:** Clockwise, or counter clockwise rotation as required
- Roller Guides:** Commercial type with large diameter rollers and grease ways
- Free spooling:** Standard manual lever freespool. Optional pneumatic freespool

ATTENTION



These winches should not be used for lifting and there should be at least 5 wraps of wire rope on the drum. The data shown are for maximum pressure and maximum flow and should be used as a reference only.

WARRANTY

Each new winch is guaranteed against defects in workmanship and material defects for a period of 24 months from date of purchase. Wire ropes are not included under warranty.