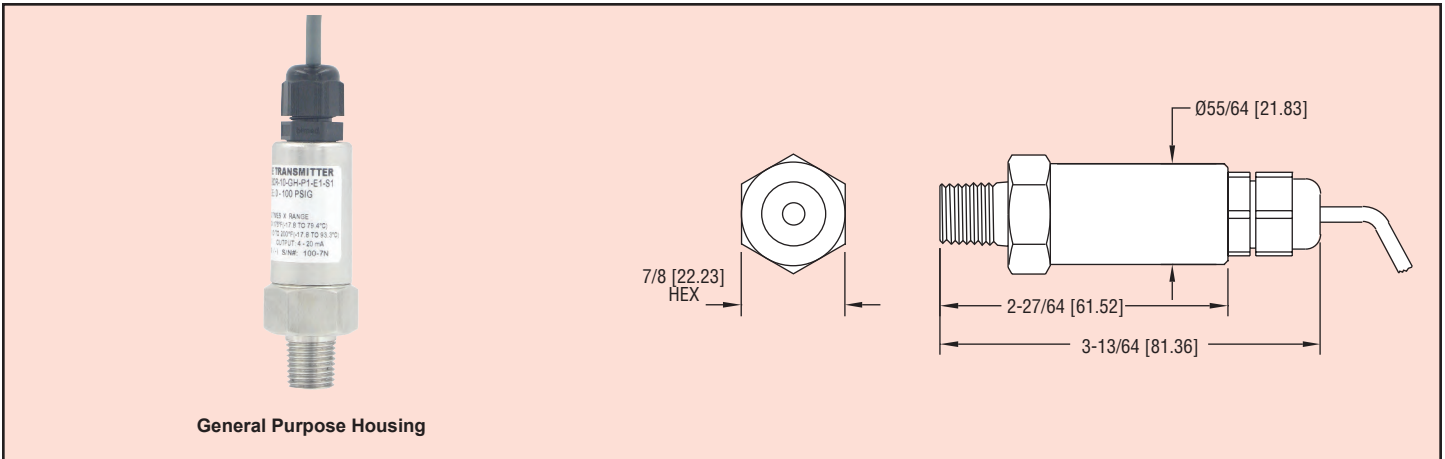




Series  
628CR

# Pressure Transmitter

OEM Pressure Transmitter, NEMA 4X (IP66)



General Purpose Housing

The Series 628CR Pressure Transmitter, contains a low cost ceramic sensor enclosed in a compact, rugged, NEMA 4X (IP65) stainless steel body. Ideal for the budget conscious OEMs that require high levels of performance, reliability and stability at an unbeatable price. The 628CR enclosure is small and lightweight for optimum compatibility with OEM systems. The design allows for a variety of pressure ranges from 30 to 500 psi and optional electrical connections allowing you to select the right transmitter for your application.

**APPLICATIONS**

- Pump monitoring
- Compressors
- Irrigation equipment
- HVAC
- Pneumatic systems

**SPECIFICATIONS**

**Service:** Compatible gases and liquids.  
**Wetted Materials:** Ceramic, fluoroelastomer, 316L SS.  
**Accuracy:** ±1.0% FS (includes linearity, hysteresis and repeatability).  
**Stability:** ±0.25% FS/year.  
**Temperature Limits:** 0 to 185°F (-18 to 85°C).  
**Compensated Temperature Range:** 0 to 175°F (-18 to 79°C).  
**Pressure Limit:**  
 Max pressure: 2x range;  
 Burst pressure: 3x range.

**Thermal Effect:** ±0.04% FS/°F.  
**Power Requirements:** 9 to 30 VDC.  
**Output Signal:** 4 to 20 mA.  
**Response Time:** 3 ms typ.  
**Loop Resistance:** 0-1200 Ω max.  
**Current Consumption:** 40 mA max.  
**Electrical Connections:** Cable or DIN connector.  
**Process Connection:** 1/4" male NPT or 1/4" male BSPT.  
**Enclosure Rating:** NEMA 4X (IP66).  
**Mounting Orientation:** Mount in any position.  
**Weight:** 4.0 oz.  
**Agency Approvals:** CE.

**Ordering Chart**

<b>Accuracy</b>	628CR								1.0% Full Scale Accuracy
<b>Range</b>		-08							0-30 psi
		-09							0-50 psi
		-10							0-100 psi
		-12							0-200 psi
		-13							0-300 psi
		-14							0-500 psi
		-71							0-2.5 Bar
		-90							0-4 Bar
		-91							0-6 Bar
		-75							0-10 Bar
		-92							0-16 Bar
		-93							0-25 Bar
		-81							0-40 Bar
<b>Housing</b>			-GH						General Purpose Housing
<b>Process Connection</b>				-P1					1/4" male NPT
				-P3					1/4" male BSPT
<b>Electrical Connection</b>					-E1				Cable Gland with 3' of Prewired Cable
					-E3				Cable Gland with 9' of Prewired Cable
					-E4				DIN EN 175801-803-C
<b>Signal Output</b>							-S1		4-20 mA
<b>Options</b>								-AT	Aluminum Tag
								-NIST	NIST Traceable Certificate