

# Specifications

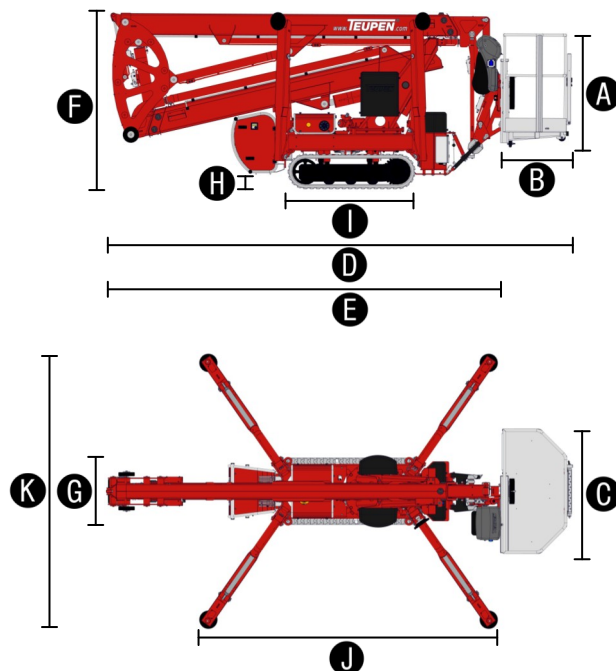
# LEO 18GTplus

MEASUREMENTS	Metric	US
Working height, max.	18,30 m	60 ft
Horizontal outreach, max.	8,50 m	27 ft 11 in
Up-and-over clearance, max.	8,30 m	27 ft 3 in
Platform height (A)	1,10 m	3 ft 7 in
Platform length (B)	0,70 m	2 ft 4 in
Platform width (C)	1,42 m	4 ft 8 in
Length, overall (D)	5,20 m	17 ft 1 in
Length without basket (E)	4,50 m	14 ft 9 in
Height, travelling position (F)	1,99 m	6 ft 6 in
Width, min. (G)	0,78 m	2 ft 7 in
Ground clearance, max. (H)	0,25 m	10 in
Track (L x W) (I)	145 x 20 cm	4 ft 9 in x 8 in
Length outrigger footprint, max. (J)	3,31 m	10 ft 10 in
Width outrigger footprint, max. (K)	3,03 m	9 ft 11 in
Outrigger plate Ø	0,18 m	7 in

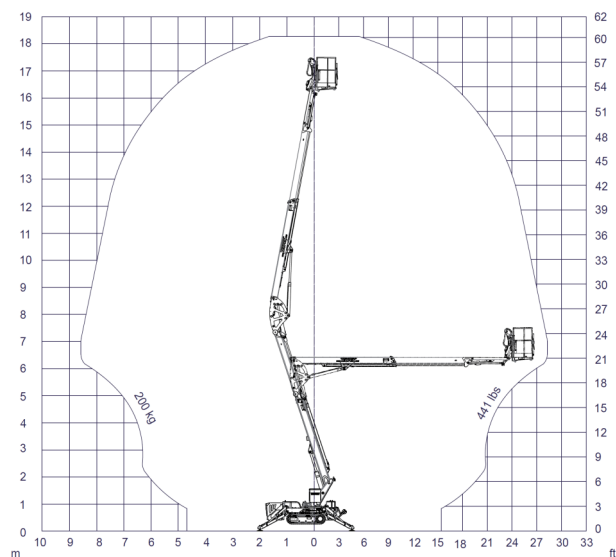
PRODUCTIVITY	Metric	US
Basket capacity	200 kg	441 lbs
Movable jib	90°	90°
Turret rotation	355°	355°
To be jacked up on ground slope of	12°/21,0 %	12°/21.0 %
Height and width track adjustment	8/16 cm	3/6 in
Gradeability, max.	19,7°/35,5 %	19.7°/35.5 %
Slope angle	16,7°/30,0 %	16.7°/30.0 %
Travel speed	1,8 km/h	1.1 mph

WEIGHT	Metric	US
Total weight	2450 kg	5401 lbs
Live load in travelling position	4,90 kN/m <sup>2</sup>	102.3 psf
Live load in working position	2,59 kN/m <sup>2</sup>	54.1 psf
Point load per outrigger plate, max.	17,3 kN	3890 lbf

POWER		
Standard power sources (Electric and combustion engine)	1) Electric: EU: 230 V, 12,9 A, 2,2 kW US: 115 V, 19,3 A, 1,6 kW 2) Petrol/Gas: Vanguard OHV 16 HP (11,93 kW/16 hp)	
Optional power source	1) Diesel: Kubota Z 602 (10,8 kW/14,5 hp) 2) Li-Ion Battery: 48 V	
Fuel tank capacity petrol/gas engines	12,0 l	3.17 gal
Fuel tank capacity Diesel engines	12,0 l	3.17 gal



## WORKING ENVELOPE



## STANDARDS COMPLIANCE



Product specifications are subject to change without notice or obligation. Photographs and drawings in this document are for illustrative purposes only. Refer to the appropriate Operator's Manual for instructions on the proper use of this equipment. Failure to follow the appropriate Operator's Manual when using our equipment or to otherwise act irresponsibly may result in serious injury or death. The only warranty applicable to our equipment is the standard written warranty applicable to the particular product and sale and we make no other warranty, expressed or implied. Products and services listed may be trademarks, service marks or trade-names of Teupen Maschinenbau GmbH and/or its subsidiaries in the U.S.A. and many other countries. "Teupen", "Access redefined" and "LEO Series" are registered Trademarks of Teupen GmbH in the United States of America and many other countries. Version 2015-A © 2015 Teupen Maschinenbau GmbH.

# Features

## TRACK CHASSIS

- Powerful track drive for precise maneuvering and terrainability
- Rubber tracks with specially arranged profile providing optimum grip
- White, non-marking rubber tracks
- Height- and width adjustable track chassis

## STABILISATION

- Fully-hydraulic, automatic levelling system
- Constant outrigger/stabiliser setup monitoring with ground pressure sensing
- Wear resistant, anti-friction PVC outrigger/stabiliser feet

## BOOM SYSTEM

- Removable cable remote control
- All functions are available from one control panel
- Electric-proportional controls with intuitive operator guidance
- Robust, lockable control panel cover
- Self-levelling platform with fully-hydraulic levelling system
- Boom rotation via high-performance slew ring, worm gear and hydraulic motor
- Detachable two-person basket with eyelets for safety harnesses
- Emergency controls and emergency lowering system via hand pump
- 355° turntable rotation
- Movable jib

## POWER SOURCES

- 230 V Electric Motor (EU), 115 V Electric Motor (US)
- Vanguard OHP 16 HP petrol/gas engine (11,93 kW/16 hp)
- Start-Stop switch of combustion engine in the basket

## PRODUCTIVITY, SAFETY, QUALITY

- Sturdy base frame with full length forklift pockets
- 230 V (EU), 115 V (US) power outlet in the basket
- Peinture haute qualité en RAL 3020 (rouge)
- Drive operation without basket available
- Cables and hoses are safely routed through the boom structure
- Biodegradable hydraulic oil
- Lock valves - hydraulic return valves directly on all hydraulic cylinders
- Relief valves protecting the hydraulic system from too high pressures
- Protective covers for oil-tank, emergency controls and connecting cables and hoses
- Protective covers for electric housing and ground control panel
- Hour meter
- Fuzzy IV control technology



## OPTIONS

- Kubota Diesel engine Z602 (10,8 kW/14,5 hp) instead of petrol/gas engine
- Li-Ion Battery drive 48 V instead of gas/petrol engine
- Custom paintwork, one colour, according to RAL scheme (except metallic coatings, signal- or special colors)
- Custom paintwork, two colours, according to RAL scheme (except metallic coatings, signal- or special colors)

## ACCESSORIES

- Safety harness
- Outrigger/Stabiliser pad (450 x 400 x 40 mm/1 ft 5 in x 1 ft 4 in x 1 in)
- Lockable storage frame for outrigger/stabiliser pads
- 4 outrigger/sliding pads (700 x 220 x 60 mm/2 ft 3 in x 9 in x 2<sup>3</sup>/<sub>8</sub> in)
- Track mat (2000 x 800 x 15 mm/6 ft 6 in x 3 ft 3 in x 1/2 in)
- 2 protective track covers, made of high-quality polypropylene fabric
- Lifting device (200 kg/441 lbs load capacity)  
This option can only be ordered in combination with the mounting for the lifting device
- Mounting for lifting device
- 4 covers on piston rod (outrigger/stabiliser) cylinders
- 2 headlights on engine unit

## TRAILERS

- Tandem Low Platform trailer (aluminium) including 4 tension belts (length 3,50 m/11 ft 6 in)  
Permissible total weight: 3000 kg/6,614 lbs  
Tandem rubber-sprung axle: 3000 kg/6,614 lbs  
Net weight: approx. 440 kg/882 lbs  
Wheels 155/70/R12 ET20  
Lighting fitting according to EU directives
- Tandem Low Platform trailer (steel) including 4 tension belts (length 5,30 m/17 ft 5 in)  
Permissible total weight: 3000 kg/6,614 lbs  
Tandem rubber-sprung axle: 3000 kg/6,614 lbs  
Net weight: approx. 476 kg/1,049 lbs  
Wheels 185 R14 C8  
Lighting fitting according to EU directives

Enquiries from Europe, Asia, Middle East & Africa:

Corporate Headquarters  
Teupen Maschinenbau GmbH  
Marie-Curie-Str. 13  
48599 Gronau, Germany

phone +49 2562 8161-0  
fax +49 2562 8161-888

mail@teupen.com  
www.teupen.com

Enquiries from North & South America:

US Office  
Teupen USA, Inc.  
10701 Southern Loop Blvd.  
Pineville, NC 28134, USA

phone (704) 248-9871  
fax (704) 248-9889

infousa@teupen.com  
www.teupen.com/us