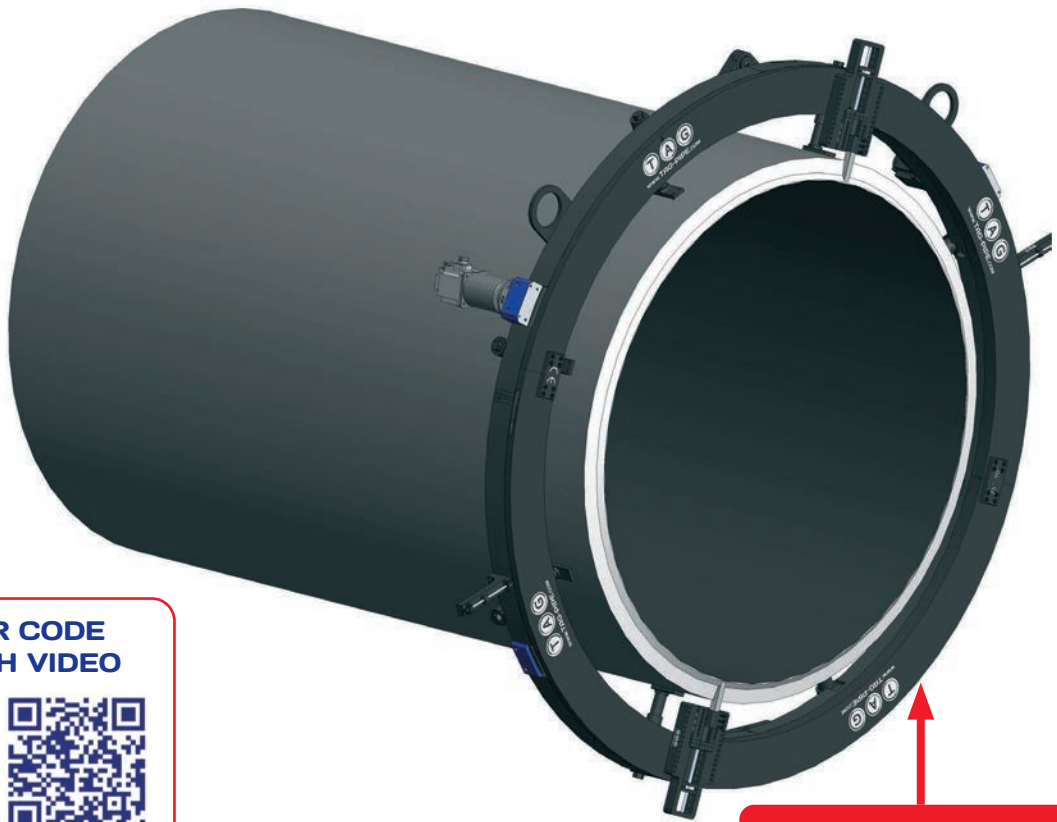




PIPE EQUIPMENT SPECIALISTS

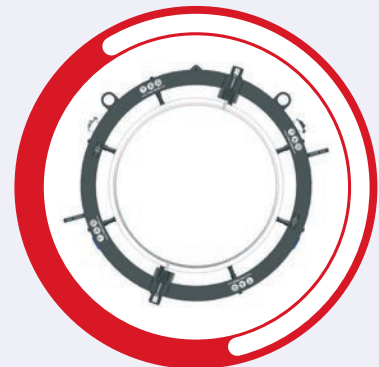
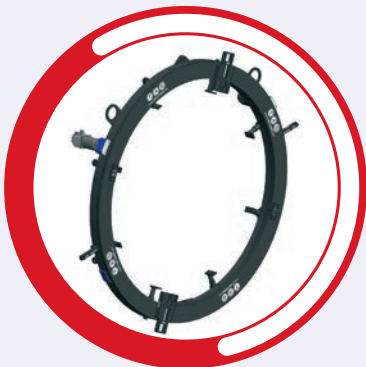
SPLIT FRAME CLAMSHELL COLD CUTTING AND BEVELLING MACHINES 48" to 120"



SCAN QR CODE
TO WATCH VIDEO



Heavy Duty Steel Body



The Basics

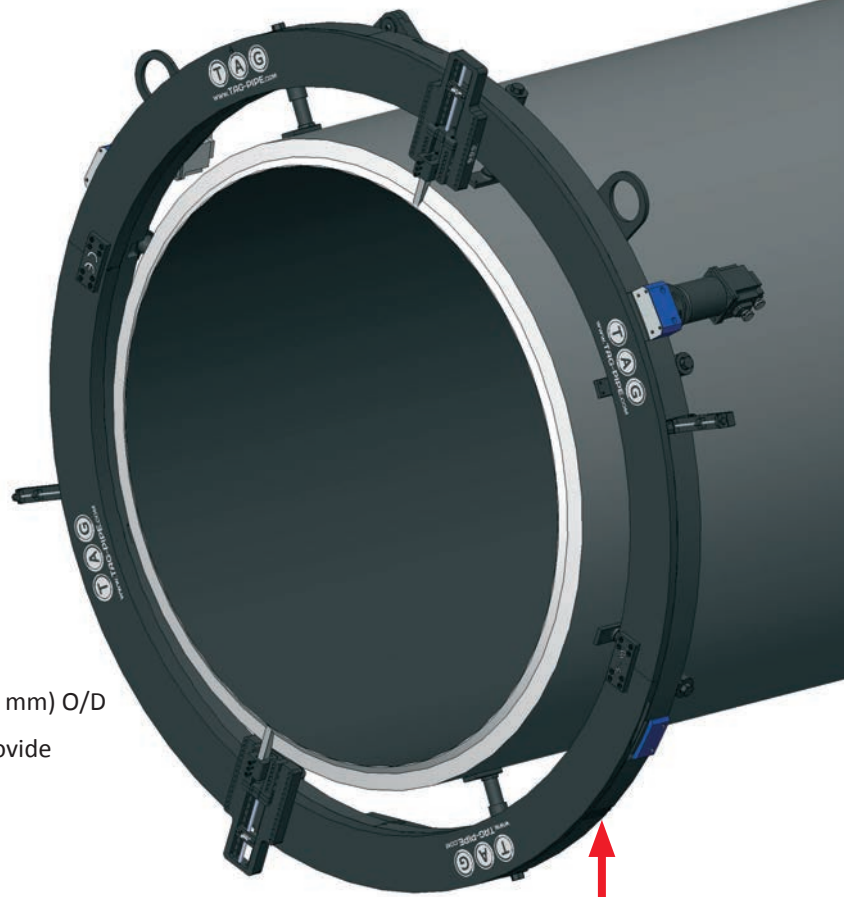
TAG's new range of split frame clamshells are essentially portable lathes.

Offering the versatility to cut and bevel (simultaneously if required), face, counterbore and O/D machine pipes (and vessels) of almost any diameter.

A steel body encases a steel inner ring gear, running on solid bearings.

Coupled with wide, hardened clamping feet, with easy read rule marks, enable rapid, repeatable concentric setup, even on out of round pipes and joints.

A range of tooling, power units and accessories allow you to tailor your machine to your particular job.



Heavy Duty Steel Body

Features and Advantages

- 5 models cover a range from 48" (1,220 mm) to 120" (3,050 mm) O/D
- Pneumatic, hydraulic and NC servo electric drive options provide increased versatility
- Adjustable heavy duty bearings, combined with easy access maintenance points allow inspection and adjustment
- Clamping feet are quickly and easily adjusted via a flush Hex head through the outer ring. Feet feature easy read measure marks for rapid setup and adjustment
- TAG split frame clamshells accept a wide range of accessories to increase performance and expand machine capabilities
- Unique 'TAG transmission' tool slides with changeable gears for adjustable Radial tool feed

MODEL	RANGE O/D (INCH)	RANGE O/D (MM)	CLAMPING JAWS
TSFC60	48 - 60"	1,220 - 1,524mm	8
TSFC75	60 - 75"	1,524 - 1,910mm	8
TSFC90	75 - 90"	1,910 - 2,290mm	12
TSFC105	90 - 105"	2,290 - 2,680mm	12
TSFC120	105 - 120"	2,680 - 3,050mm	12

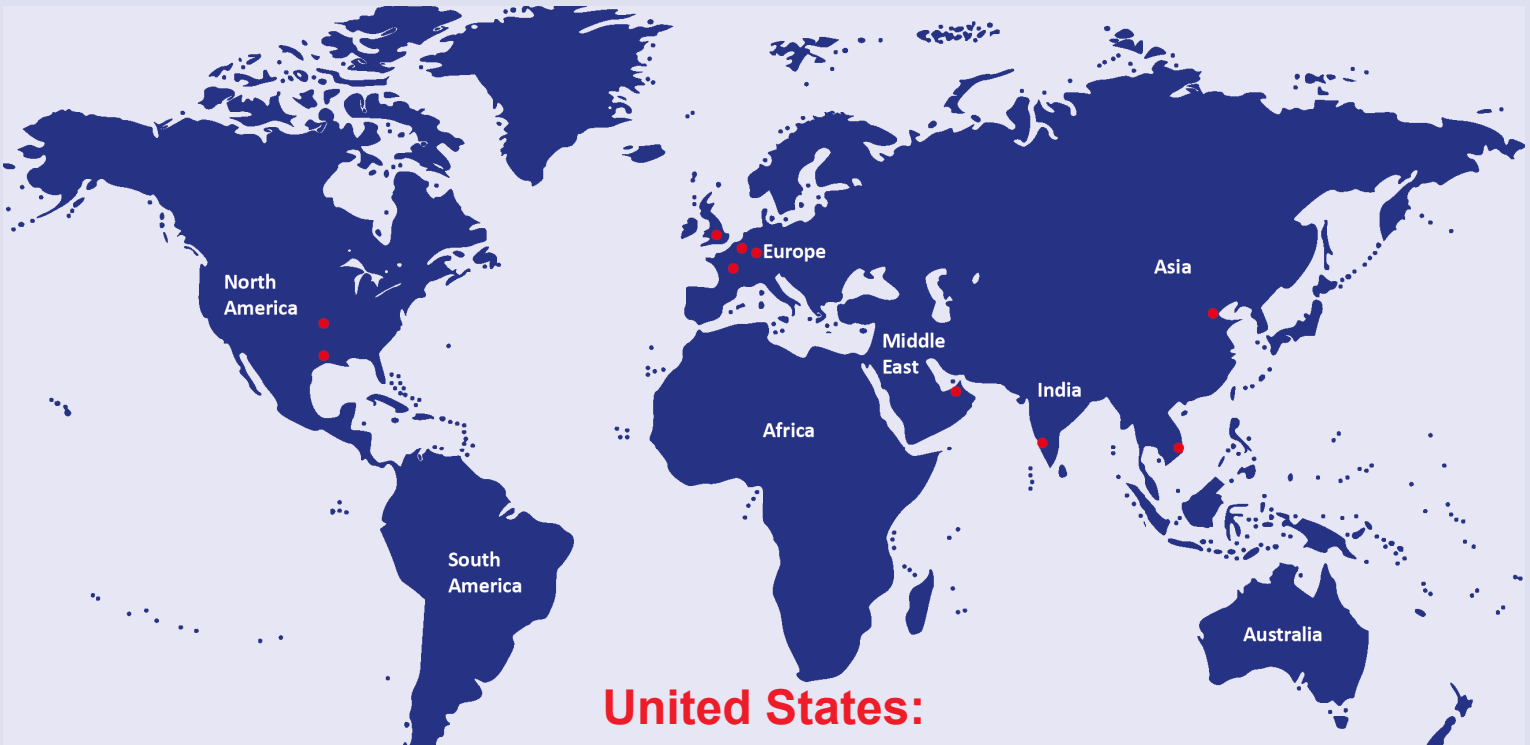
Larger sizes available upon request





SPECIALIZED FABRICATION EQUIPMENT GROUP

Global Locations:



United States:

SFE HOUSTON

SPECIALIZED FABRICATION EQUIPMENT GROUP

4433 South Dr, Houston,
Texas 77053, USA

Tel: +1 713 747 8502

E-mail: sales@sfe-brands.com

SFE TULSA

SPECIALIZED FABRICATION EQUIPMENT GROUP

7136 South Yale Ave, Tulsa,
Oklahoma 74136, USA

Tel: +1 713 747 8502

E-mail: sales@sfe-brands.com

International:

SFE UNITED KINGDOM

SPECIALIZED FABRICATION EQUIPMENT GROUP

Unit 15 & 16 Grendon Industrial Estate,
Grendon Underwood, Aylesbury,
Buckinghamshire, HP18 0QX England

Tel: +44 (0)1869 324 144

E-mail: sales-int@sfe-brands.com

SFE BELGIUM

SPECIALIZED FABRICATION EQUIPMENT GROUP

Mosten 13, 9160 Lokeren
Belgium

Tel: +44 (0)7741 551536

E-mail: sales-belgium@sfe-brands.com

SFE FRANCE

SPECIALIZED FABRICATION EQUIPMENT GROUP

Acces bureau, 34 Rue du Docteur Abel,
26000 VALENCE, France

Tel: +44 (0)7741 872489

E-mail: sales-france@sfe-brands.com

SFE GERMANY

SPECIALIZED FABRICATION EQUIPMENT GROUP

Am Güterbahnhof 1, 77694 Kehl am Rhein,
Germany

Tel: +49 (0)7851 9553507

Mob: +44 (0)7741 872489

E-mail: sales-germany@sfe-brands.com

SFE MIDDLE EAST

SPECIALIZED FABRICATION EQUIPMENT GROUP

Al Ittihad Street, P.O. Box 3763
Dubai, United Arab Emirates

Tel: +971 (0)50 217 1376

E-mail: sales-me@sfe-brands.com

SFE INDIA

SPECIALIZED FABRICATION EQUIPMENT GROUP

Plot No. PAP 3, D 3 Block,
Chinchwad, Pune 411 019

Mob: +91 90 1102 4332

Mob: +91 95 5258 4361

E-mail: sales-india@sfe-brands.com

SFE ASIA

SPECIALIZED FABRICATION EQUIPMENT GROUP

Emerald Block A, No.2, Road N4, Son Ky Ward,
Tan Phu District, Ho Chi Minh, Vietnam.

Tel: 0919.517.01

E-mail: sales-asia@sfe-brands.com

Copyright © 2021 Specialized Fabrication Equipment Group, All rights reserved.

OUR BRANDS

