

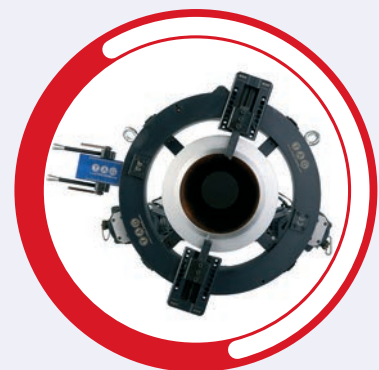
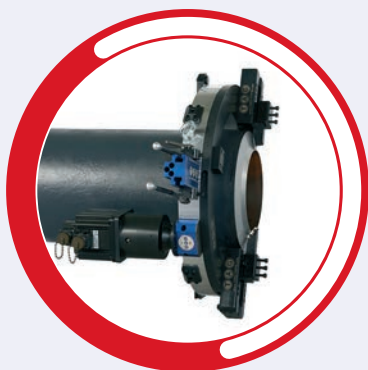


**PIPE EQUIPMENT SPECIALISTS**

# **SPLIT FRAME CLAMSHELL COLD CUTTING AND BEVELLING MACHINES 1" to 48"**



**SCAN QR CODE  
TO WATCH VIDEO**





# SPLIT FRAME CLAMSHELL COLD CUTTING AND BEVELLING MACHINES 1" to 48"

*Portable O/D Locking Cold Pipe Cutting and Beveling Machines*

**RANGE: 1" to 48" o/d (25 - 1,220mm)**  
*Larger sizes and customised machines available upon request*

- **Functions:** External beveling / internal beveling / counter-boring / compound bevels / J-prep beveling
- **Materials:** Any kind of steel and exotic alloy
- **Power:** Pneumatic, electric (110v or 220v), hydraulic or servo electric motor

## TSFC6 - TSFC24 (MODULAR BLOCK JAWS)



		TSFC6	TSCF8	TSCF12	TSCF16	TSCF18	TSCF20	TSCF24
Locking Range	inch o/d	1" - 6"	2" - 8"	6" - 12"	10" - 16"	12" - 18"	14" - 20"	18" - 24"
Locking Range	mm o/d	33.7 - 184	60.3 - 235	168.3 - 350	273 - 425	323.8 - 477	355.6 - 528	457.2 - 640

## TSFC30 - TSFC48 (TELESCOPIC JAWS)



		TSFC30	TSFC36	TSFC42	TSFC48
Locking Range	inch o/d	24" - 30"	30" - 36"	36" - 42"	42" - 48"
Locking Range	mm o/d	609.6 - 800	762 - 956	914.4 - 1108	1066.8 - 1280

## The basics

TAG's new range of split frame clamshells are essentially portable lathes.

Offering the versatility to cut and bevel (simultaneously if required), face, counterbore and o/d machine pipes (and vessels) of almost any diameter.

A light weight aluminium body, encases a steel inner ring gear running on solid bearings, ensuring manageability, yet extreme strength and durability.

Coupled with wide, hardened clamping feet, with easy read rule marks, enable rapid, repeatable concentric setup, even on out of round pipes and joints.

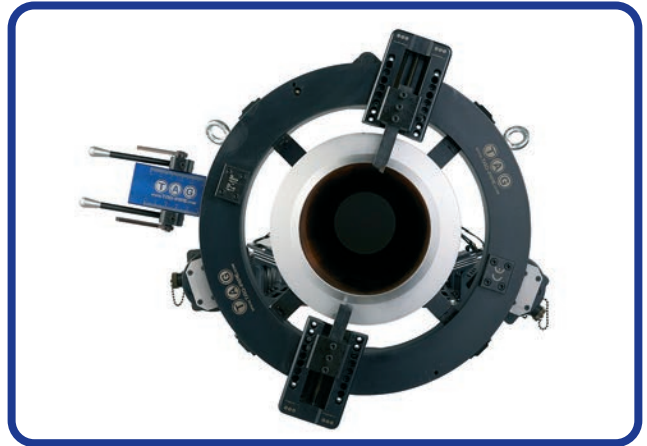
A range of tooling, power units and accessories allow you to tailor your machine to your particular job.



## Features and advantages

- 11 models cover a range from 1" (25.4 mm) to 48" (1,220 mm) o/d
- Pneumatic, hydraulic, standard electric and NC servo electric drive options provide increased versatility
- Adjustable heavy duty bearings, combined with easy access maintenance points allow inspection and adjustment
- Clamping feet are quickly and easily adjusted via a flush hex head through the outer ring. Feet feature easy read measure marks for rapid setup and adjustment
- TAG split frame clamshells accept a wide range of accessories to increase performance and expand machine capabilities
- Unique 'TAG transmission' tool slides with changeable gears for adjustable radial tool feed

## Quick split frame design



# FEATURES:



TAG advanced cam roller bearing system enables fine adjustment of bearings for optimal performance and maintenance delivering smooth precise rotation.



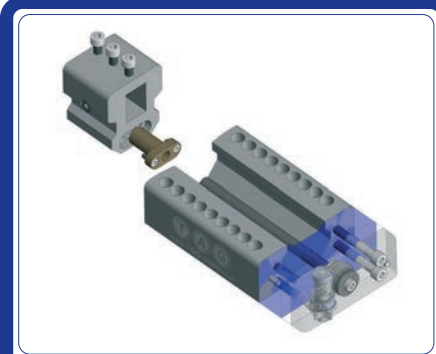
Using the latest high grade aluminium along with treated steel crown the TAG split frames are designed for heavy duty industrial on-site use.



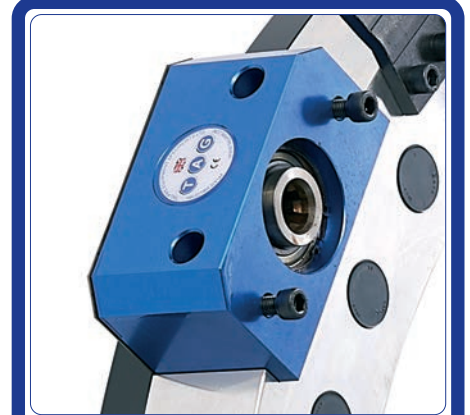
Quick lock/unlock splitting hinge to enable fast setup of machine onto pipes in situ.



Custom made metal box with foam insert to insure protection of the machine.



TAG advanced feeding system delivers feed through worm and crown to evenly distribute pressure through the feeding screw, resulting in reduced vibration and wear on cutting tools.



Two bolt motor mount enables fast mounting of motors. All power drives utilise the same drive block.



## MODULAR BLOCK JAWS

Modular locking system with TAG advanced external metal plate to take pressure away from aluminium ring, clamping foot size 40 x 60mm.



## TELESCOPIC JAWS

Telescopic locking system externally mounted to keep aluminium ring solid for extra strength, increased clamping foot size 55 x 115mm for fast accurate setup.



Double striker enables feeding of 0.2mm per revolution, also utilising TAG extended engaging handle meaning hands free operation.

## DRIVE UNITS

To meet the varying needs of job-sites worldwide, TAG's clamshell motors and drives are available in a range of configurations.

Drive motors are available in servo electric, hydraulic, pneumatic and electric configurations. Motor mounting flanges are available in straight back (in-line), right angle and front drive reversible options.

### TSFC6 - TSFC24

**RECOMMENDED**



Servo Electric Motor



Double Pneumatic available

Pneumatic Motor



Hydraulic Motor

**TSFC6 - TFSC12 ONLY**



Electric Motor

### TSFC30 - TSFC120

**RECOMMENDED**



Servo Electric Motor



Double Pneumatic available

Pneumatic Motor



Hydraulic Motor

## TAG'S ELECTRIC NC SERVO DRIVE MOTOR

TAG's single phase electric NC (Numerically Controlled) servo motor offers a new level of performance and capacity for electric drive power of TAG's split frame range.

A 1.5 kilowatt servo motor, which, like a 3 phase motor, or hydraulic drive, does not slow and strain under load.

The single servo motor is controlled by a wired remote.

The double servo motor, is controlled by a wireless remote or Delta touch screen NC control unit, enabling accurate, infinite RPM control.

If you carry out the same job regularly with the machine, once you find the optimum performance setting and values, these can be set into the NC control unit and recalled in the future.

Available in single for up to 30mm thickness or double for 30mm+.



Single Servo Control



Double Servo Control

## TOOL BOXES AND ACCESSORIES

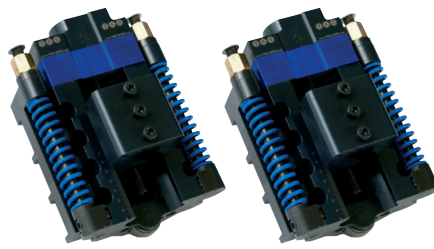
The tool slides are available in various configurations to accept the full range of TAG tooling.



### Standard Tool Box

Low profile, light weight, for tight access situations. Utilising standard TAG HSS Co blade tooling.

**For cutting and bevelling all materials up to 120mm / 4.7" wall thickness.**



### Spring Loaded o/d Tracking

A bearing wheel housed in the tool slide, is compressed to the o/d of the pipe by 2 x 150lb springs, ensuring an even, accurate weld prep and root face, by tracking the o/d contour of the pipe especially advantageous for large diameters and out of round pipe.

**For cutting and bevelling all materials of up to 20mm / 0.8" wall thickness.**



### Counter Bore Tool Slide

The counter bore slide module accessory bolts directly to the standard tool slide and can be installed immediately upon completion of the cut and external bevel, to remove any internal inconsistencies prior to welding. The counter bore tool slide can be adjusted from 0 to 45 degree and has 150mm / 6" feed.

## TOOLING

TAG's HSS Co range of tooling includes sever/cut, bevel, double-bevel, compound bevel, J-prepping and counter bore tools. TAG tooling is available in a range of different lengths and sizes, to match tooling with application precisely.

TAG holder and insert tooling enables sever/cut, bevel, compound bevel and counter bore tools many holders utilise the same interchangeable inserts reducing the quantity of consumable parts.

We also offer custom designed tooling, special tool steel for applications not covered by our standard range.

### FIXED ANGLE BEVEL



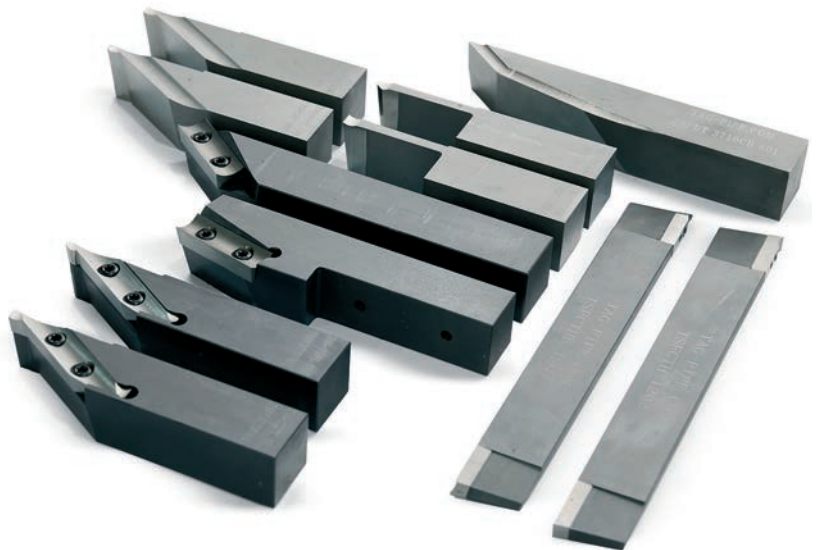
### COMPOUND BEVEL



### J PREP



*All shapes, sizes and angles available*



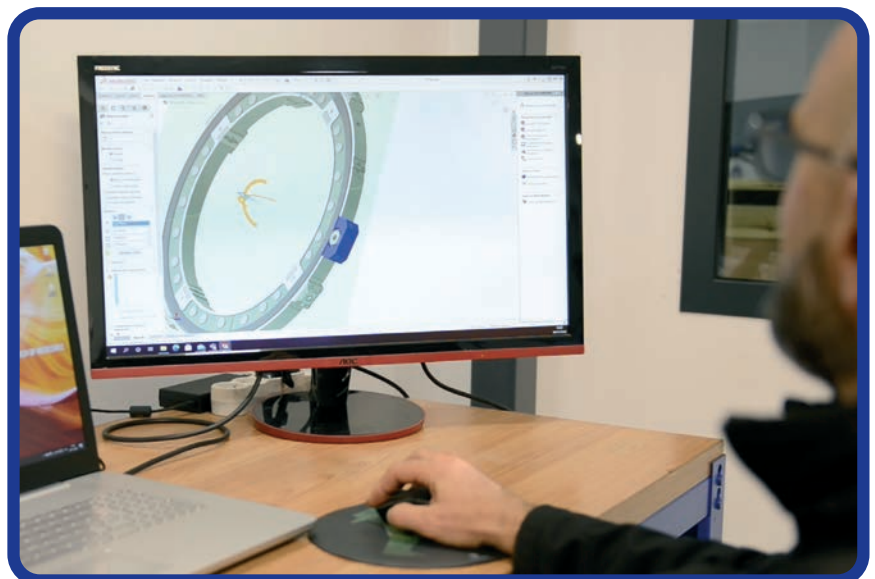
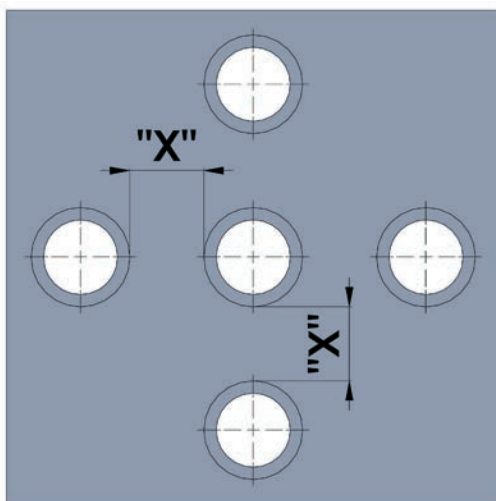
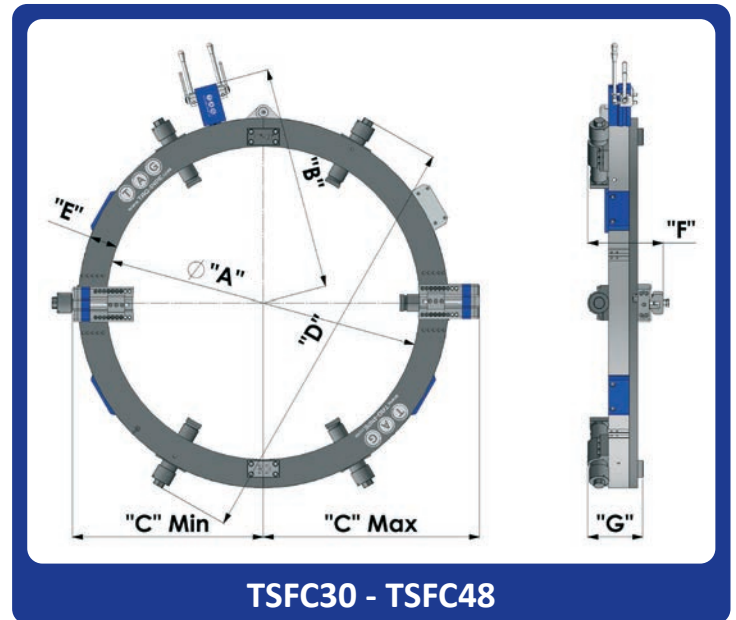
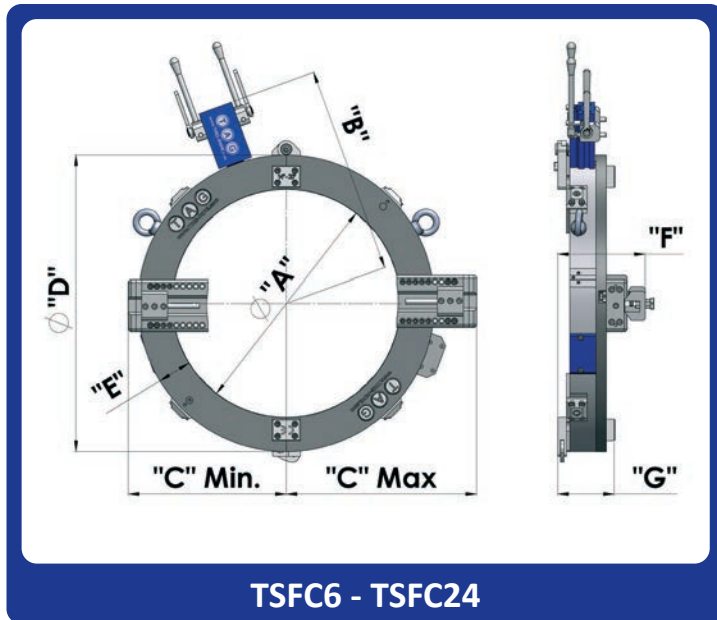
## RING DIMENSIONS

		TSFC6	TSFC8	TSCF12	TSCF16	TSCF18	TSCF20	TSCF24	TSFC30	TSFC36	TSFC42	TSFC48
O/D RANGE	inch	1 - 6"	2 - 8"	6 - 12"	10 - 16"	12 - 18"	14 - 20"	18 - 24"	24"-30"	30"-36"	36"-42"	42"-48"
A	mm	184.00	235.00	350.00	425.00	477.00	528.00	640.00	800.00	956.00	1108.00	1280.00
B	mm	283.00	308.50	396.00	433.50	459.50	485.00	541.00	635.00	713.00	789.00	895.00
C MIN	mm	187.00	212.50	270.00	307.50	333.50	359.00	415.00	523.50	601.50	677.50	783.50
C MAX	mm	197.00	222.50	356.00	393.50	419.50	445.00	501.00	615.00	693.00	769.00	875.00
D	mm	340.00	391.00	506.00	581.00	633.00	684.00	796.00	1180.00	1336.00	1488.00	1800.00
E	mm	78.00	78.00	78.00	78.00	78.00	78.00	78.00	100.00	100.00	100.00	120.00
F	mm	195.50	195.50	195.50	195.50	195.50	195.50	195.50	267.50	267.50	267.50	277.50
G	mm	124.00	124.00	124.00	124.00	124.00	124.00	124.00	196.00	196.00	196.00	206.00
X	mm	130.00	130.00	210.00	210.00	210.00	210.00	210.00	255.00	255.00	255.00	265.00

Low clearance options or custom machines available on request should you have access restrictions

F Ring only	195.50	195.50	195.50	195.50	195.50	195.50	195.50	195.50	267.50	267.50	267.50	267.50
F Pneumatic Motor	535.50	535.50	535.50	535.50	535.50	535.50	535.50	535.50	727.60	727.60	727.60	727.60
F Servo Motor	525.50	525.50	525.50	525.50	525.50	525.50	525.50	525.50	642.50	642.50	642.50	642.50
F Hydraulic Motor	425.00	425.00	425.00	425.00	425.00	425.00	425.00	425.00	425.00	425.00	425.00	425.00

Right angle drive motors are available on request (extra at cost)



## SPLIT FRAME TECHNICAL FEATURES

		TSCF6	TSCF8	TSCF12	TSCF16	TSCF18	TSCF20	TSCF24	TSFC30	TSFC36	TSFC42	TSFC48	
Locking Range	inch o/d	1" - 6"	2" - 8"	6" - 12"	10" - 16"	12" - 18"	14" - 20"	18" - 24"	24" - 30"	30" - 36"	36" - 42"	42" - 48"	
Locking Range	mm o/d	33.7 - 184	60.3 - 235	168.3 - 350	273 - 425	323.8 - 477	355.6 - 528	457.2 - 640	609.6 - 800	762 - 956	914.4 - 1108	1066.8 - 1280	
Ring Only Weight	kg	23	32	46	53	58	62	76	183	204	242	323	
Toolbox Stroke	mm	60	60	90	90	90	90	90	90	90	90	90	
Motor Mount Positions	qty	1	1	1	2	2	2	2	2	2	4	4	
Striker Mount Positions	qty	1	1	2	3	3	3	3	3	4	4	5	
Bearing size	S/L	S	S	S	S	S	S	S	L	L	L	L	
Spline Drive Size	mm	16	16	16	16	16	16	16	25	25	25	25	
Pneumatic Idle Speed	rpm	5 - 36	5 - 28	5 - 21	5 - 18	5 - 17	5 - 16	5 - 15	1 - 8	1 - 8	1 - 7	1 - 6	
Electric Idle Speed	rpm	5 - 20	5 - 16	5 - 12	n/a	n/a	n/a	n/a	n/a	n/a	n/a	n/a	
Servo Electric Idle Speed	rpm	1 - 45	1 - 36	1 - 27	1 - 23	1 - 21	1 - 19	1 - 18	1 - 9	1 - 9	1 - 8	1 - 7	
Hydraulic Idle Speed	rpm	5 - 30	5 - 28	5 - 25	5 - 20	5 - 19	5 - 17	5 - 16	1 - 8	1 - 8	1 - 8	1 - 8	
Pneumatic Motor Power	hp	1.85	1.85	1.85	1.85	1.85	1.85	1.85	3.5	3.5	3.5	3.5	
Double Pneumatic Motor(s) Power	hp	n/a	n/a	n/a	3.7	3.7	3.7	3.7	7.0	7.0	7.0	7.0	
Electric Motor Power	watt	1900	1900	1900	n/a	n/a	n/a	n/a	n/a	n/a	n/a	n/a	
Single Servo Electric Motor Power	Kw	1.5	1.5	1.5	1.5	1.5	1.5	1.5	1.5	1.5	1.5	1.5	
Double Servo Electric Motor(s) Power	Kw	n/a	n/a	n/a	3.0	3.0	3.0	3.0	3.0	3.0	3.0	3.0	
Hydraulic Motor Power	hp	5.40	5.40	5.40	5.40	5.40	5.40	5.40	5.40	5.40	5.40	5.40	
Electric / Servo Electric Voltage	volt	110 / 220	110 / 220	110 / 220	110 / 220	110 / 220	110 / 220	110 / 220	110 / 220	110 / 220	110 / 220	110 / 220	
Electric / Servo Electric Frequency	Hz	50 / 60	50 / 60	50 / 60	50 / 60	50 / 60	50 / 60	50 / 60	50 / 60	50 / 60	50 / 60	50 / 60	
Air Working Pressure	psi / bar	90 / 6.5	90 / 6.5	90 / 6.5	90 / 6.5	90 / 6.5	90 / 6.5	90 / 6.5	90 / 6.5	90 / 6.5	90 / 6.5	90 / 6.5	
Air hose Connection	inch	¾	¾	¾	¾	¾	¾	¾	¾	¾	¾	¾	
Air Consuming Flux (Double x2)	cfm/ LPM	50 / 1400						90 / 2500					
Feed Rate per Revolution	mm / inch	0.2 / 0.008						0.2 / 0.008					
Locking System		MODULAR						TELESCOPIC					

*Our group policy is one of continuous improvement. Products and data tables are subject to change or vary from those illustrated.*

- All complete machines are supplied with: Machine ring/body, motor, tool boxes, striker, locking jaws, machine box, service tools.
- A protective custom built metal box is supplied with TSCF6 - TSCF24, all larger sizes are supplied in a custom built wooden box
- Drawings, instruction manual and warranty certificate are also supplied as standard.
- Pneumatic machine must be used with filter lubricator and oil - use without will void warranty.

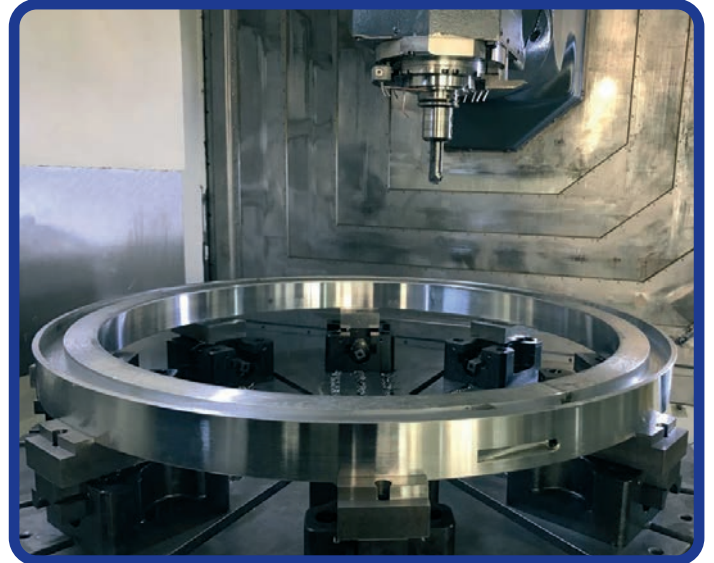
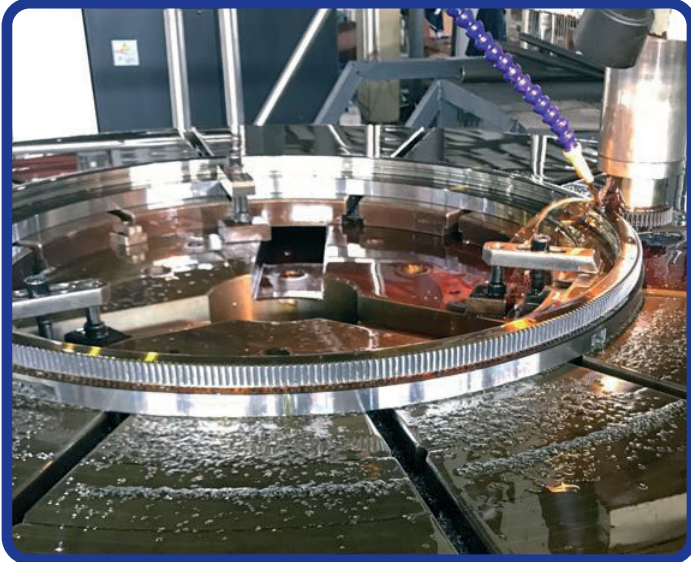
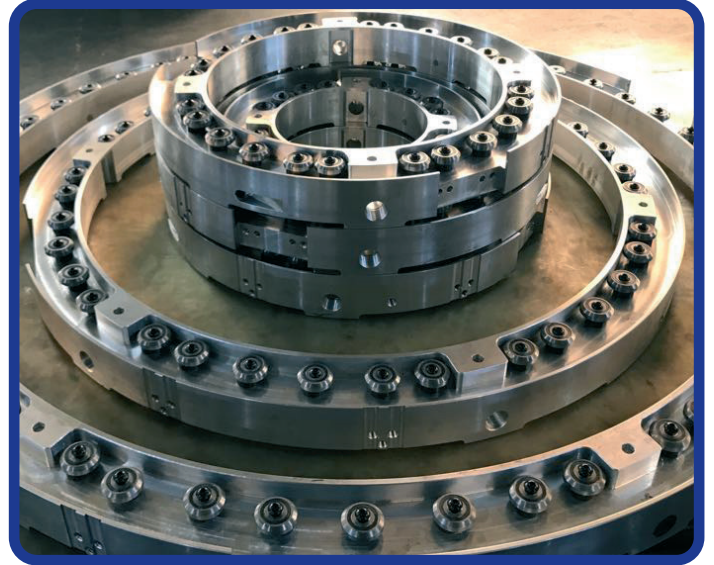


## SPLIT FRAME PACKING WEIGHTS AND DIMENSIONS

SPLIT FRAME MODEL	MEASUREMENT	TSCF6	TSCF8	TSCF12	TSCF16	TSCF18	TSCF20	TSCF24	TSFC30	TSFC36	TSFC42	TSFC48	
Pneumatic	(kg/lbs)	(167/368)	(177/390)	(197/434)	(238/525)	(241/531)	(249/549)	(262/578)	(300/661)	(335/738)	(375/826)	(445/981)	
Double Pneumatic	(kg/lbs)	n/a	n/a	n/a	(258/569)	(261/575)	(269/593)	(282/622)	(320/705)	(355/782)	(395/870)	(465/1,002)	
Single Servo Electric	(kg/lbs)	(182/401)	(182/401)	(212/467)	(253/558)	(256/564)	(264/582)	(277/611)	(315/694)	(345/760)	(385/848)	(455/1,003)	
Double Servo Electric	(kg/lbs)	n/a	n/a	n/a	(283/624)	(286/631)	(289/637)	(307/677)	(345/760)	(380/837)	(420/926)	(490/1,080)	
Hydraulic	(kg/lbs)	(162/357)	(172/379)	(192/423)	(233/514)	(236/520)	(244/538)	(257/567)	(290/639)	(320/705)	(365/805)	(435/960)	
Packing Dimensions	L x W x H mm	1,200 x 900 x 470			1,450 x 1,000 x 510				1,460 x 1,460 x 500		1,600 x 1,600 x 500		1,960 x 1,960 x 500



# TAG SPLIT FRAME UK PRODUCTION

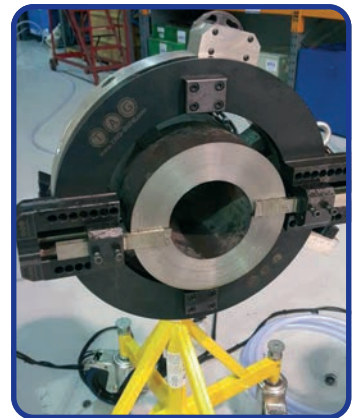
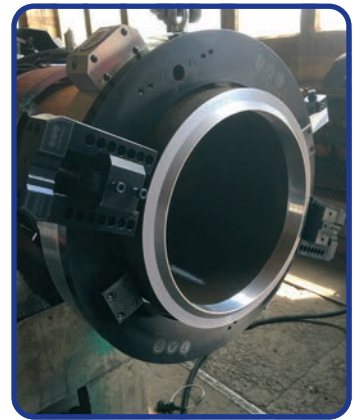
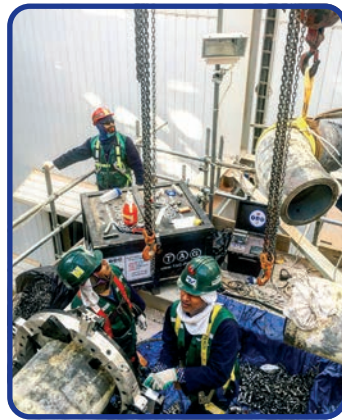
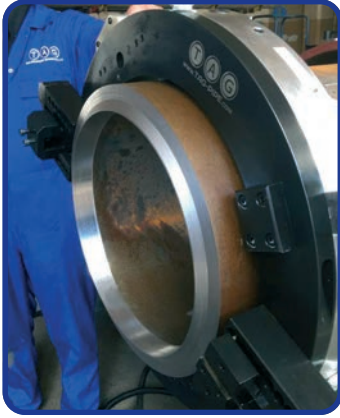


MADE IN UK





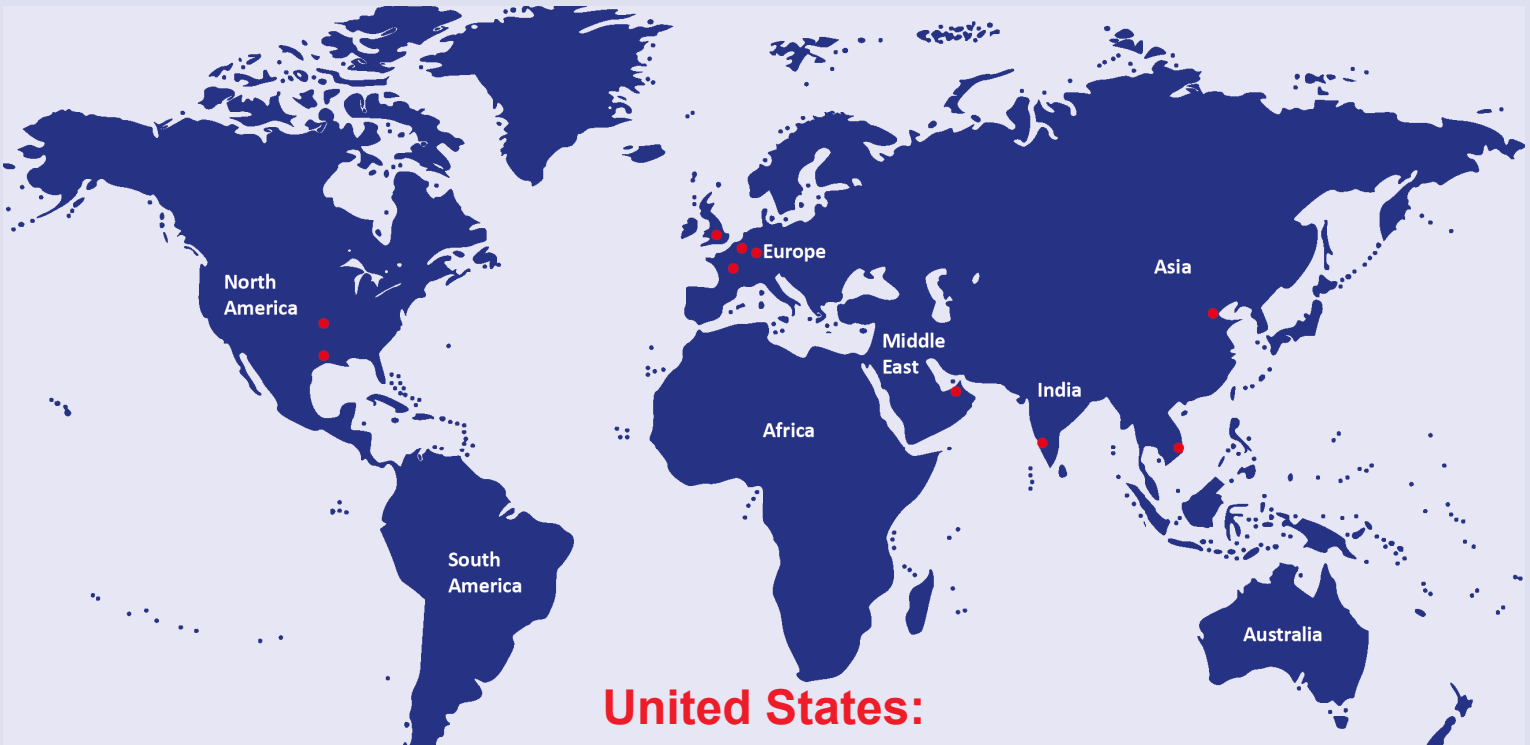
# EXAMPLES OF JOBS DONE WITH TAG SPLIT FRAME CLAMSHELLS





SPECIALIZED FABRICATION EQUIPMENT GROUP

## Global Locations:



## United States:

### SFE HOUSTON

SPECIALIZED FABRICATION EQUIPMENT GROUP

4433 South Dr, Houston,  
Texas 77053, USA

Tel: +1 713 747 8502

E-mail: sales@sfe-brands.com

### SFE TULSA

SPECIALIZED FABRICATION EQUIPMENT GROUP

7136 South Yale Ave, Tulsa,  
Oklahoma 74136, USA

Tel: +1 713 747 8502

E-mail: sales@sfe-brands.com

## International:

### SFE UNITED KINGDOM

SPECIALIZED FABRICATION EQUIPMENT GROUP

Unit 15 & 16 Grendon Industrial Estate,  
Grendon Underwood, Aylesbury,  
Buckinghamshire, HP18 0QX England

Tel: +44 (0)1869 324 144

E-mail: sales-int@sfe-brands.com

### SFE BELGIUM

SPECIALIZED FABRICATION EQUIPMENT GROUP

Mosten 13, 9160 Lokeren  
Belgium

Tel: +44 (0)7741 551536

E-mail: sales-belgium@sfe-brands.com

### SFE FRANCE

SPECIALIZED FABRICATION EQUIPMENT GROUP

Acces bureau, 34 Rue du Docteur Abel,  
26000 VALENCE, France

Tel: +44 (0)7741 872489

E-mail: sales-france@sfe-brands.com

### SFE GERMANY

SPECIALIZED FABRICATION EQUIPMENT GROUP

Am Güterbahnhof 1, 77694 Kehl am Rhein,  
Germany

Tel: +49 (0)7851 9553507

Mob: +44 (0)7741 872489

E-mail: sales-germany@sfe-brands.com

### SFE MIDDLE EAST

SPECIALIZED FABRICATION EQUIPMENT GROUP

Al Ittihad Street, P.O. Box 3763  
Dubai, United Arab Emirates

Tel: +971 (0)50 217 1376

E-mail: sales-me@sfe-brands.com

### SFE INDIA

SPECIALIZED FABRICATION EQUIPMENT GROUP

Plot No. PAP 3, D 3 Block,  
Chinchwad, Pune 411 019

Mob: +91 90 1102 4332

Mob: +91 95 5258 4361

E-mail: sales-india@sfe-brands.com

### SFE ASIA

SPECIALIZED FABRICATION EQUIPMENT GROUP

Emerald Block A, No.2, Road N4, Son Ky Ward,  
Tan Phu District, Ho Chi Minh, Vietnam.

Tel: 0919.517.01

E-mail: sales-asia@sfe-brands.com

Copyright © 2021 Specialized Fabrication Equipment Group, All rights reserved.

## OUR BRANDS

