

J-0741

DEĞİŞTİRİLEBİLİR JİLETLİ-ÖN FREZE TEMİZLEME BİÇAĞI
CHANGEABLE BLADE PROFILE ROUTER BIT

Ölçüler / Dimensions

Kod / Art No	D1	D2	L	d	S	Z
J-0741-01	70	38	50	20	10	4
J-0741-02	100	65	70	30	10	3+3



Allen anahtar
Allen key



353 160 03

Setskür civata
Setskür screw



193 148 01S

Kama
Wedge



453 160 15

453 160 15 / 453 160 13

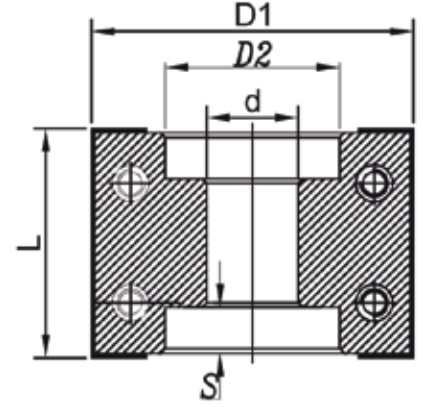
Jilet
Blade



J-0003-501215

J-0003-201215 / J-0003-501215

J-0741-01



DEĞİŞTİRİLEBİLİR JİLETLİ GERMAN LAMBA AÇMA TOP GRUBU REBATING CUTTER BLOCK FOR DOOR, WITH CHANGEABLE BLADE

Ölçüler / Dimensions

Kod / Art No	D	b	a	V	d	Z	Jilet / Blade	Allen civata / A. screw
J-0745-01	109	30	11	-	30	2	-	-
J-0745-02	125	30	-	2	30	2	J-0003-14142	KR193 148 08



Setskür civata
Setskür screw



193 148 01S
M6 x 16



M5 x 7.5

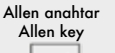


J-0003-301215



Kama
Wedge

453 160 14



Allen anahtar
Allen key

353 160 03

DEĞİŞTİRİLEBİLİR JİLETLİ AÇI AYARLI FREZE TOPU

SWIVEL CUTTER BLOCK Z2 WITH REVERSIBLE CARBIDE KNIVES

Ölçüler / Dimensions

Kod / Art No	D	b	a	d	Z	Kama / Wedge	Jilet / Blade
J-0750-01	170	50	0-75	30	2	453 160 21	J-0003-501215
J-0750-02	170	60	0-75	30	2	453 160 20	J-0003-601215



J-0750-01



Allen anahtar
Allen key



353 160 03

Allen civata
Allen screw



193 148 03K
M7 x 11

DEĞİŞTİRİLEBİLİR UÇLU BİÇAKLAR
CHANGEABLE BLADE ROUTER BIT

J-0745-02

J-0750-01