

**Boden 博顿**

# Boden 博顿



## 公司简介

### COMPANY PROFILE

**中国·博顿液压股份有限公司**坐落于有北上海之称的“中国·启东滨海工业园”，距上海市中心和浦东国际机场约一小时车程。公司占地面积50亩，生产区10000平方米，公司拥有世界先进的液压元件制造工艺和技术,现代化的管理制度和一批经验丰富的员工，并通过ISO/TS16949:2009质量管理体系认证。主要零部件加工采用数控机床，检测设备采用三坐标测量机、全自动齿轮检查仪，出厂测试采用CAT全电脑测试台进行检测。公司精心设计并专业制造高中压液压齿轮泵、双向齿轮泵、复合齿轮泵、齿轮马达、多联齿轮泵等系列产品。同时，根据用户的个性化需求，提供各种特殊规格的产品，为国内外汽车、工程机械、农业机械、运输机械、冶金机械、石油机械、物流机械等行业配套服务。

公司目标：向客户提供最佳的产品和最优质的服务，把公司建成于最优秀的液压元件制造企业。

热忱欢迎国内外用户和各界朋友光临指导！

**China Boden Hydraulics Co., Ltd** is located in China Qidong Binhai Industrial Zone, which is Called ‘the North of Shanghai’. The company is only within one hour driving to the down-town city of Shanghai or to Shanghai “Pudong”(PVG) International Airport. At the moment, Boden covers the land space of 33,500 square meters and has the production area of more than 10,000 square meters. The company, with ‘ISO/TS16949:2009’ certified Quality System, is the professional manufacturer for hydraulic gear pumps(including European standard group “00”, group “0”, group “1”, group “2” group “3”gear pumps), bi-direction gear pumps, multi-function gear pumps, multi-stage gear pumps, gear motors, etc. Boden has a number of engineering people who have the rich experience in designing & manufacturing processing for all our products and also have quite many technicians who are skilled in machining, assembly and testing the said products. With the help of many modern machining equipments(Flexible machining centers, CNC machines, 3-coordinate measuring machine, full automatic gear checking machines and CAT full computer controlled testing machines, etc). Boden is capable to provide varies hydraulic products for the customers in automobile production, construction and agricultural equipments, transportation equipments, metallurgy & petroleum industries and material handling vehicles both at home and abroad.

The target of the company is providing customers the best hydraulic products with excellent services and let Boden become one of the first grade hydraulic gear pump manufacturers in the world.

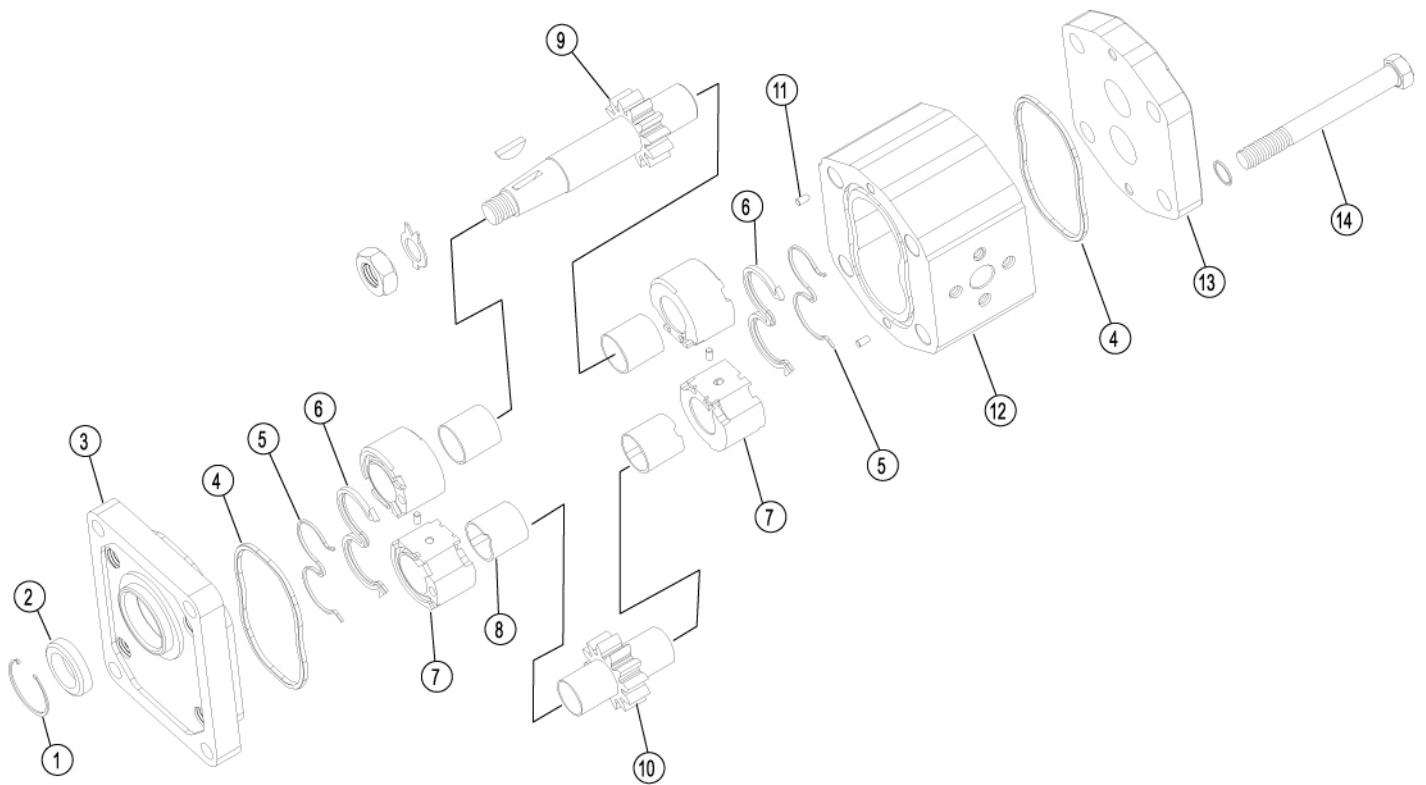
Welcome customers & friends from home and abroad to visit and communicate with us at Boden hydraulics and we are looking forward to see you soon.

## Quality Control | 质量控制



## Company Product | 公司产品





### 泵的组件

1. 挡圈
2. 油封
3. 前盖
4. 孔密封
5. 密封挡圈
6. 补偿密封
7. 轴套
8. DU衬套
9. 传动齿轮
10. 从动齿轮
11. 定位销
12. 泵体
13. 后盖
14. 螺栓

### PUMP'S PARTS

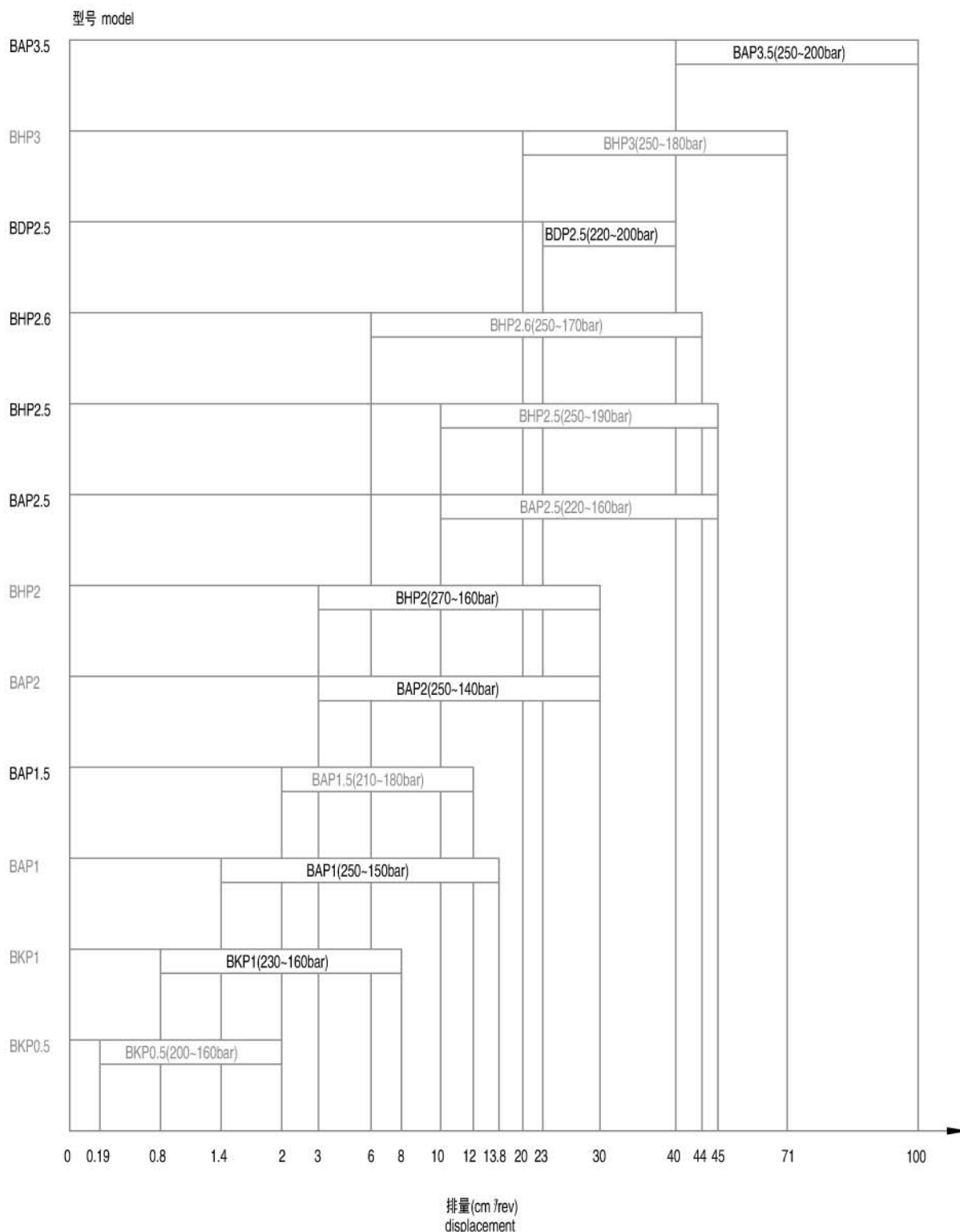
1. STOP RING
2. SHAFT SEAL
3. FRONT COVER
4. HOUSING SEAL
5. ANTI-EXTRUSION SEAL
6. COMPENSATION SEAL
7. BUSHING
8. DU BEARING
9. DRIVE GEAR
10. DRIVEN GEAR
11. CENTRING PIN
12. BODY
13. END COVER
14. FASTENING SCREWS

**产品目录**      **CONTENTS**

产品范围	1	Product range
技术资料	2	Technical information
安装说明	2	Installation notes
液压油	2	Hydraulic fluids
进油口压力	2	Inlet pressure
过滤建议	3	Filter recommendation
压力定义	3	Pressure definition
进油管 and 出油管	3	Inlet and delivery lines
旋转方向	4	Rotation direction
泵的设计计算	4	Design calculations for pump
BKP0.5	5	BKP0.5
BKP1	13	BKP1
BAP1	23	BAP1
BAP1.5	30	BAP1.5
BAP2[BHP2]	34	BAP2[BHP2]
BAP2.5[BHP2.5]	51	BAP2.5[BHP2.5]
BHP2.6	57	BHP2.6
BDP2.5	66	BDP2.5
BHP3	71	BHP3
BAP3.5	81	BAP3.5
多联泵	88	Multiple pumps

**产品范围**

**PRODUCT RANGE**



备注：图表中所示压力最高连续工作压力，产品系列号“BH”表示前盖、后盖材质为铸铁，其余系列号表示前盖、后盖材质为铝合金。

Remark: Show these pressures as maximum continuous pressure in the graph, product series "BH" denote front and end cover material cast iron, etcaeteras series denote front and end cover material aluminum.

## 技术资料

## TECHNICAL INFORMATION

为了使Boden泵获得最佳的性能和更长的使用寿命，请严格遵循样本给出的安装和使用说明。

### 安装说明

在系统启动进行连续工作之前，我们建议采取如下简单的预防措施：

- 检查泵的转向是否与传动轴的转向一致，切勿逆向旋转。
- 检查泵的主轴与电动机的主轴是否对中，必须保证连接不产生轴向和径向负载。
- 检查主轴与油封之间是否清洁，将进出口连接法兰处的脏物、杂屑和外来物清除干净，颗粒物会导致油封快速磨损和泄漏加剧。
- 确保吸油口和回油口管端总是位于油面以下，并且相互之间尽量远离。
- 安装时应给泵注油，用手转动泵。
- 当启动泵时，卸开泵的泄油口，将管路中的空气排出。
- 为了保证泵的使用寿命，应避免或限制带负载工况下启动。

### 液压油

请使用具有以下良好性能的液压油：

抗氧化、抗气泡（快速使气泡破裂）、耐磨损、耐腐蚀以及有润滑特性。油液同时应该遵循DIN 51525和VDMA24317标准，及通过FZG的11级测试。

对于标准型，油液温度应该在-10°C至80°C之间，其运动粘度范围如下：

许用范围	allowed range	6...500 cSt
推荐范围	recommended range	10...100 cSt
启动时允许值	value allowed at startup	...2000 cSt

### 进油口压力

在标准工况下，吸油管路的压力低于大气压，工作时进油口压力应在0.7至3.0bar之间（指绝对压力）

Please strictly follow assembly and use indications given in this catalogue for top performance and longer life of Boden pump.

### INSTALLATION NOTES

Before starting the system on a continuous basis, we suggest to adopt as follows simple precautions.

- Check for the direction of rotation of the pump to be consistent with the drive shaft one, be sure no reversion revolved.
- Check for the proper alignment of pump shaft and motor shaft, it is necessary that the connection does not induce axial or radial loads.
- Check if contact area between seal ring and shaft is clean, remove all dirt, chips and all foreign bodies from flanges connecting inlet and delivery ports, dust could provoke quicker wear and leakage.
- Ensure that intake and return pipes ends are always below fluid level and as far from each other as possible.
- Fill the pump with fluid, and turn it by hand.
- Disconnect pump drain during startup to bleed air off the circuit.
- Always avoid or limit load starting for pump longer life.

### HYDRAULIC FLUIDS

Use specific mineral oil based hydraulic fluids having good antioxidant, anti-foaming (rapid de-aeration), anti-wear, anti-corrosion and lubricating properties, Fluids should also comply with DIN 51525 and VDMA 24317 standards and get through 11th stage of FZG test.

For the standard models, the temperature of the fluid should range between -10°C and +80°C.

Fluid kinematic viscosity ranges are the following:

### INLET PRESSURE

Under standard working conditions, intake pipe pressure is lower than atmospheric pressure. The operating inlet pressure should range between 0.7 and 3 bars (absolute).

## 过滤建议

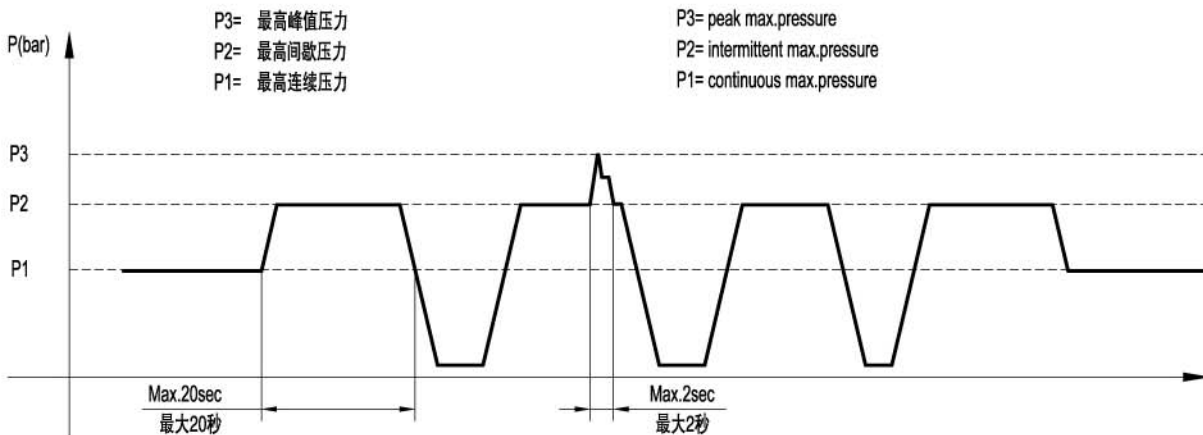
大量事实说明，多数齿轮泵的过早失效都是由于油液的污染引起的。

由于我们的质量保证并不包括由于系统中颗粒所造成的磨损，所以我们建议对油液进行过滤，以便将油液中的污染粒子的尺寸及浓度降低到允许的最低值。

过滤系统应该一直保证污染度等级不要超过下表所示的值：

工作压力	Pressure	<140 bar	140...210 bar	>210 bar
NAS 1638 污染等级	NAS 1638 Class	10	9	8
ISO 4406 污染等级	ISO 4406 Class	19/16	18/15	17/14
过滤比 $\beta_x = 75$	Ratio $\beta_x = 75$	25-40 $\mu\text{m}$	12-15 $\mu\text{m}$	6-12 $\mu\text{m}$

## 压力定义



## PRESSURE DEFINITION

## 进油管 and 出油管

液压系统的管路不应突然变向、急弯及断面突然变化。管路不要太长或

不成比例，管路断面处应有足够的尺寸，以便油液流速不要超过推荐值。

建议认真考虑进出油管法兰接头处通径的缩减量。

流速参考值如下表

进油管	Intake line	0.5...1.6 m/s
出油管	Delivery line	2...6 m/s
回油管	Return line	1.6...3 m/s

## INLET AND DELIVERY LINES

Hydraulic system pipes should show no sudden changes of direction, sharp bends and sudden differences in cross-section.

They should not be too long or out of proportion.

Pipe cross-section should be sized so that fluid velocity does not exceed recommended values.

It is advisable to carefully consider the possible diameter reduction of the inlet or outlet pipes fitted on flange fittings.

Reference values are the following:

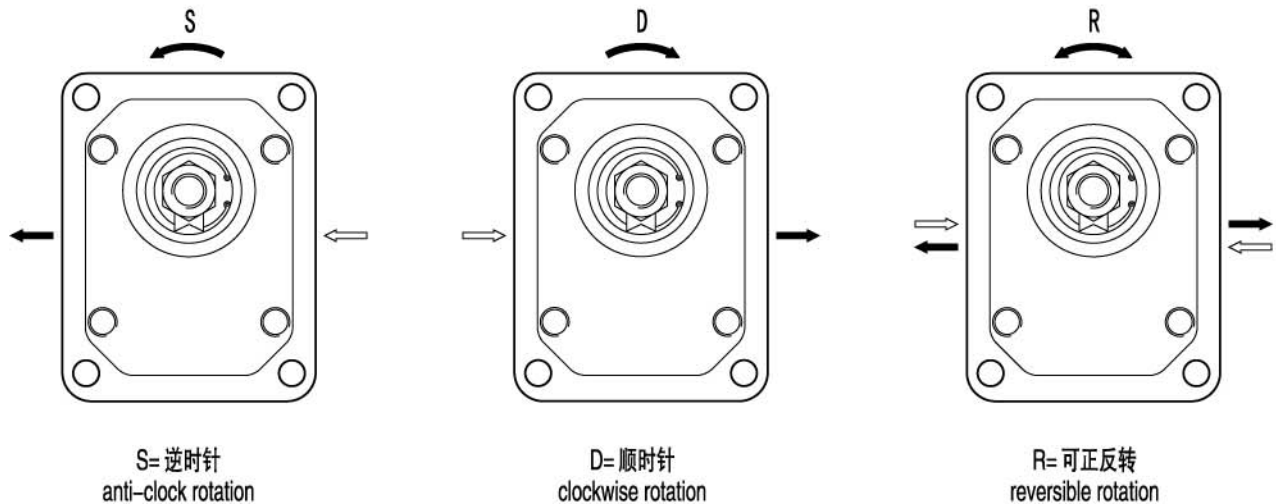


### 旋转方向

旋转方向定义：站在泵的前面，其传动轴面对自己，泵顺时针旋转时，为右旋，用"D"表示，反之，即泵逆时针旋转时，为左旋，用"S"表示。

### ROTATION DIRECTION

Definition of rotation direction: when standing before the pump with driving shaft up with its projecting end towards the observer, the pump is rotating clockwise in case of right-hand rotation "D". The contrary will happen with left-hand pumps "S", keeping the same point of view.



### 泵的设计计算

### DESIGN CALCULATIONS FOR PUMP

流量	Flow	Q	L/min
扭矩	Torque	M	Nm
功率	Power	P	kW
转速	Speed	n	r/min
压力	Pressure	$\Delta P$	bar
排量	Displacement	V	cm <sup>3</sup> /rev

容积效率	Volumetric efficiency	$\eta_v = \eta_v(V, \Delta P, n)$	≈0.93
机械效率	Mechanical efficiency	$\eta_{hm} = \eta_{hm}(V, \Delta P, n)$	≈0.85
总效率	Total efficiency	$\eta_t = \eta_v \cdot \eta_{hm}$	≈0.80

$Q = V \cdot n \cdot \eta_v \cdot 10^{-3}$	[ L/min ]
$M = (\Delta P \cdot V) / (62.83 \cdot \eta_{hm})$	[ Nm ]
$P = (\Delta P \cdot Q) / (612 \cdot \eta_t)$	[ kW ]

# BKP0.5

## 如何订购/ HOW TO ORDER

BK	P	0.5	前盖 Front cover	旋向 Rotation	规格 Size	轴伸 Shaft	油口 Ports	油口位置 Ports position	油封 Seals	可选项 Options
系列号 Series	P- 齿轮泵 Pump	组别 Group	A0	D 顺时针转 Clockwise	0.19 0.26					
			A1	S 逆时针转 Counter clockwise	0.38 0.50					
			B0	R 可正反转 Reversible	0.65 0.75					
			B1		0.88 1.00 1.25 1.50 1.75 2.00					

可选项/ Options	
V-方向阀	V-Directional valves
排油管/ Drain	
Q0-内部排油 / internal drain	
Q1-外部排油 / external drain $\varnothing 5$	
Q2-外部排油 / external drain G1/8	

### 油口位置

省略-侧进侧出  
A-前进前出  
B-后进前出  
C-后进侧出  
D-侧进前出  
R-后进后出

### Ports position

Omit-Side inlet and side outlet  
A-Front inlet and front outlet  
B-Back inlet and front outlet  
C-Back inlet and side outlet  
D-Side inlet and front outlet  
R-Back inlet and back outlet

### 油封

省略-温度范围在-10℃~+80℃,进口口最高绝对压力为3bar。  
V-适用于高温介质, 温度范围在-10℃~+120℃。  
H-适用于低温介质, 温度范围在-40℃~+80℃。  
T-适用于进口口最大绝对压力3-6bar。  
N-适用于进口口最大绝对压力3-10bar。

### Seals

Omit-Range between -10℃ and +80℃, inlet pressure up to max. 3 bar absolute.  
V-Version suitable for fluid at hi-temperatures, range between -10℃ and +120℃.  
H-Version suitable for fluid at low-temperatures, range between -40℃ and +80℃.  
T-Version suitable for inlet pressure up to max. 3 and 6 bar absolute.  
N-Version suitable for inlet pressure up to max. 3 and 10 bar absolute.

### 范例/ Examples:

BKP0.5-B0-D-0.19-G0-L0-B= 顺时针转, 排量 0.19 cc/rev, B0 前盖, G0 扁键轴伸, L0 安装油口, 后进前出, 标准油封  
clockwise rotation, 0.19 cc/rev, B0 front cover, G0 tang shaft, setting ports L0 type, back inlet and front outlet (B), standard seals

BKP0.5-B1-D-0.19-G0-L2= 顺时针转, 排量 0.19 cc/rev, B1 前盖, G0 扁键轴伸, L2 安装油口, 标准油封  
clockwise rotation, 0.19 cc/rev, B1 front cover, G0 tang shaft, setting ports L2 type, standard seals

BKP0.5-A0-D-0.19-C0-L2-N= 顺时针转, 排量 0.19 cc/rev, A0 前盖, C0 圆柱轴伸, L2 安装油口, 高压油封(N)  
clockwise rotation, 0.19 cc/rev, A0 front cover, C0 parallel shaft, setting ports L2 type, high pressure seals(N)

# BKP0.5B0

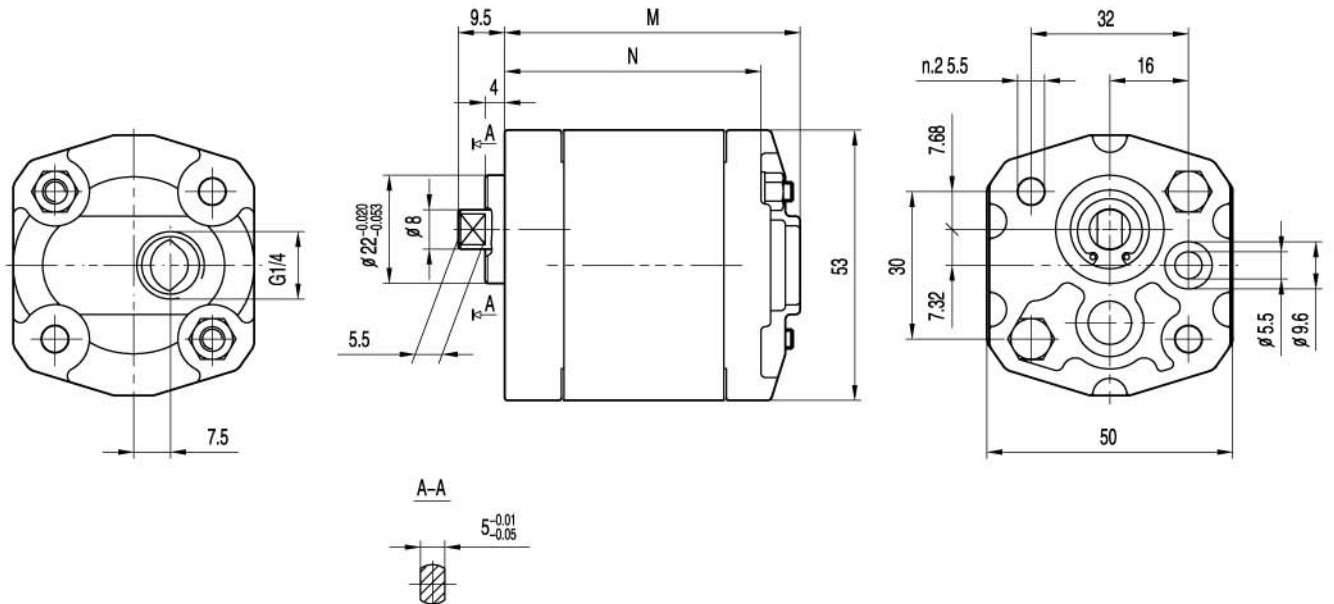


后盖: G1/4 螺纹深 12.  
安装泵时, n.2 M5 螺钉扭矩设定为  
 $5.4 \pm 0.5$  Nm.

End cover: G1/4 thread depth 12.  
To mount the pump, n.2 M5 screws,  
with a torque wrench setting fixed  
at  $5.4 \pm 0.5$  Nm.

进油口  
INLET

出油口  
OUTLET



规格 Type	排量 Displacement  (cm <sup>3</sup> /rev)	最大压力 Max pressure			最高转速 Max. speed  (r/min)	最低转速 Min. speed  (r/min)	尺寸 Dimensions	
		P1 bar	P2 bar	P3 bar			M mm	N mm
BKP0.5B0-D-0.19	0.19	200	230	250	7000	1000	60	51
BKP0.5B0-D-0.26	0.26	200	230	250	7000	1000	60.5	51.5
BKP0.5B0-D-0.38	0.38	200	230	250	7000	1000	61.5	52.5
BKP0.5B0-D-0.50	0.50	200	230	250	7000	1000	62.5	53.5
BKP0.5B0-D-0.65	0.65	200	230	250	7000	1000	63.5	54.5
BKP0.5B0-D-0.75	0.75	200	230	250	7000	1000	64.5	55.5
BKP0.5B0-D-0.88	0.88	200	230	250	7000	1000	65.5	56.5
BKP0.5B0-D-1.00	1.00	200	230	250	6000	850	66.5	57.5
BKP0.5B0-D-1.25	1.25	200	230	250	5000	700	68.5	59.5
BKP0.5B0-D-1.50	1.50	200	230	250	4000	600	70.5	61.5
BKP0.5B0-D-1.75	1.75	180	210	230	4000	600	72.5	63.5
BKP0.5B0-D-2.00	2.00	160	190	210	3000	500	74.5	65.5

# BKP0.5B1

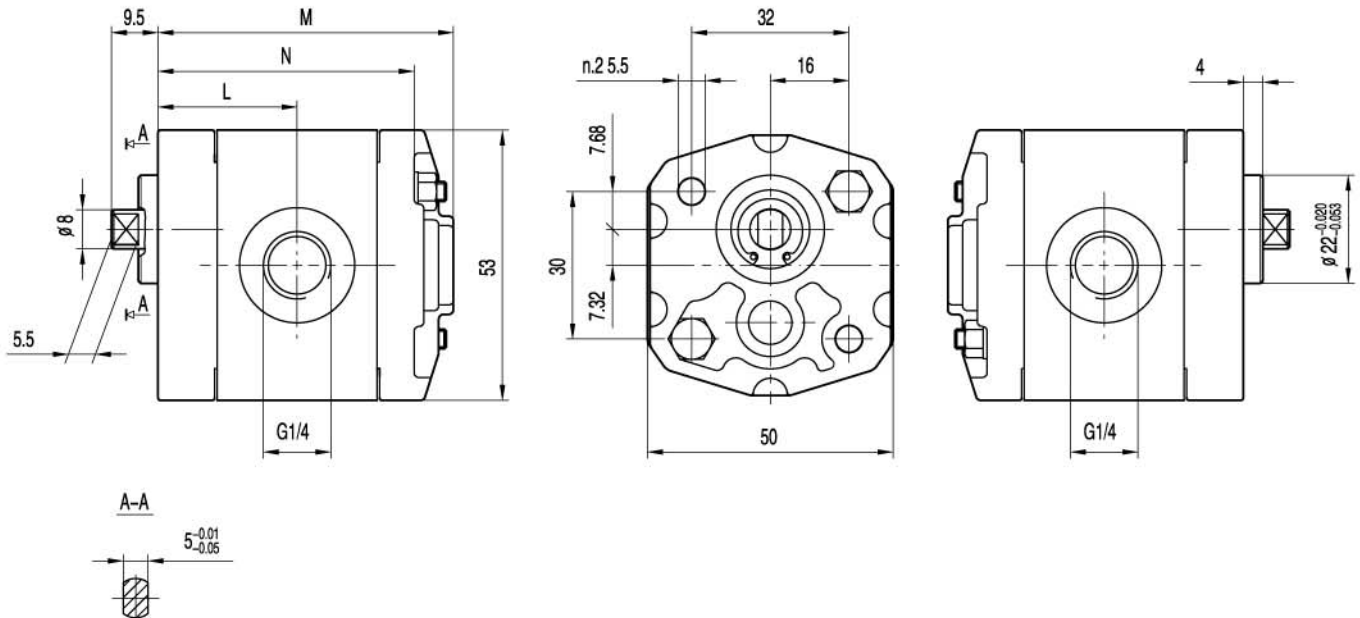


G1/4 螺纹深 9。  
安装泵时，n.2 M5 螺钉扭矩设定为  
5.4 ± 0.5 Nm.

G1/4 thread depth 9.  
To mount the pump, n.2 M5 screws,  
with a torque wrench setting fixed  
at 5.4 ± 0.5 Nm.

出油口  
OUTLET

进油口  
INLET



规格 Type	排量 Displacement (cm <sup>3</sup> /rev)	最大压力 Max pressure			最高转速 Max. speed (r/min)	最低转速 Min. speed (r/min)	尺寸 Dimensions		
		P1 bar	P2 bar	P3 bar			M mm	N mm	L mm
BKP0.5B1-D-0.19	0.19	200	230	250	7000	1000	60	51	27.2
BKP0.5B1-D-0.26	0.26	200	230	250	7000	1000	60.5	51.5	27.5
BKP0.5B1-D-0.38	0.38	200	230	250	7000	1000	61.5	52.5	28
BKP0.5B1-D-0.50	0.50	200	230	250	7000	1000	62.5	53.5	28.5
BKP0.5B1-D-0.65	0.65	200	230	250	7000	1000	63.5	54.5	29
BKP0.5B1-D-0.75	0.75	200	230	250	7000	1000	64.5	55.5	29.5
BKP0.5B1-D-0.88	0.88	200	230	250	7000	1000	65.5	56.5	30
BKP0.5B1-D-1.00	1.00	200	230	250	6000	850	66.5	57.5	30.5
BKP0.5B1-D-1.25	1.25	200	230	250	5000	700	68.5	59.5	31.5
BKP0.5B1-D-1.50	1.50	200	230	250	4000	600	70.5	61.5	32.5
BKP0.5B1-D-1.75	1.75	180	210	230	4000	600	72.5	63.5	33.5
BKP0.5B1-D-2.00	2.00	160	190	210	3000	500	74.5	65.5	34.5

# BKP0.5A0

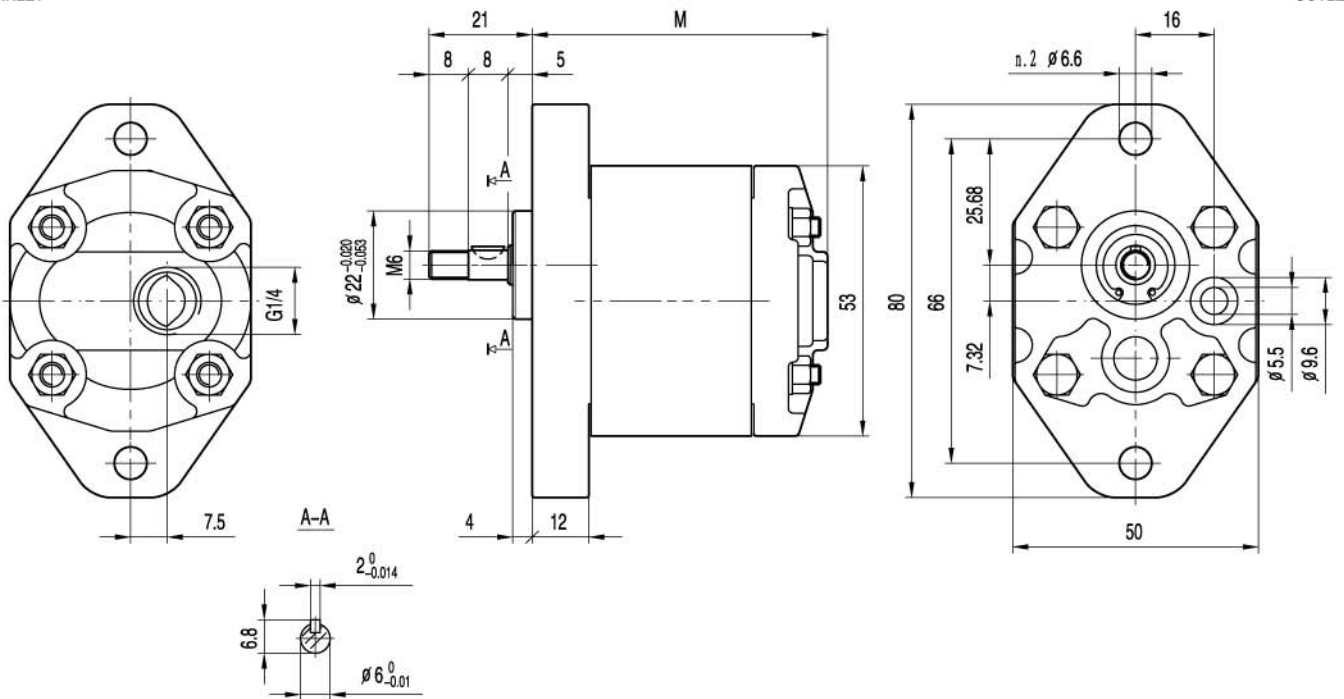


后盖: G1/4 螺纹深 12.  
安装泵时, n.4 M5 螺钉扭矩设定为  
5.4 ± 0.5 Nm.  
轴伸 M6 螺母扭矩设定为 7 Nm.

End cover: G1/4 thread depth 12.  
To mount the pump, n.4 M5 screws,  
with a torque wrench setting fixed  
at 5.4 ± 0.5 Nm.  
Shaft M6 nut, with a torque wrench  
setting fixed at 7 Nm.

进油口  
INLET

出油口  
OUTLET



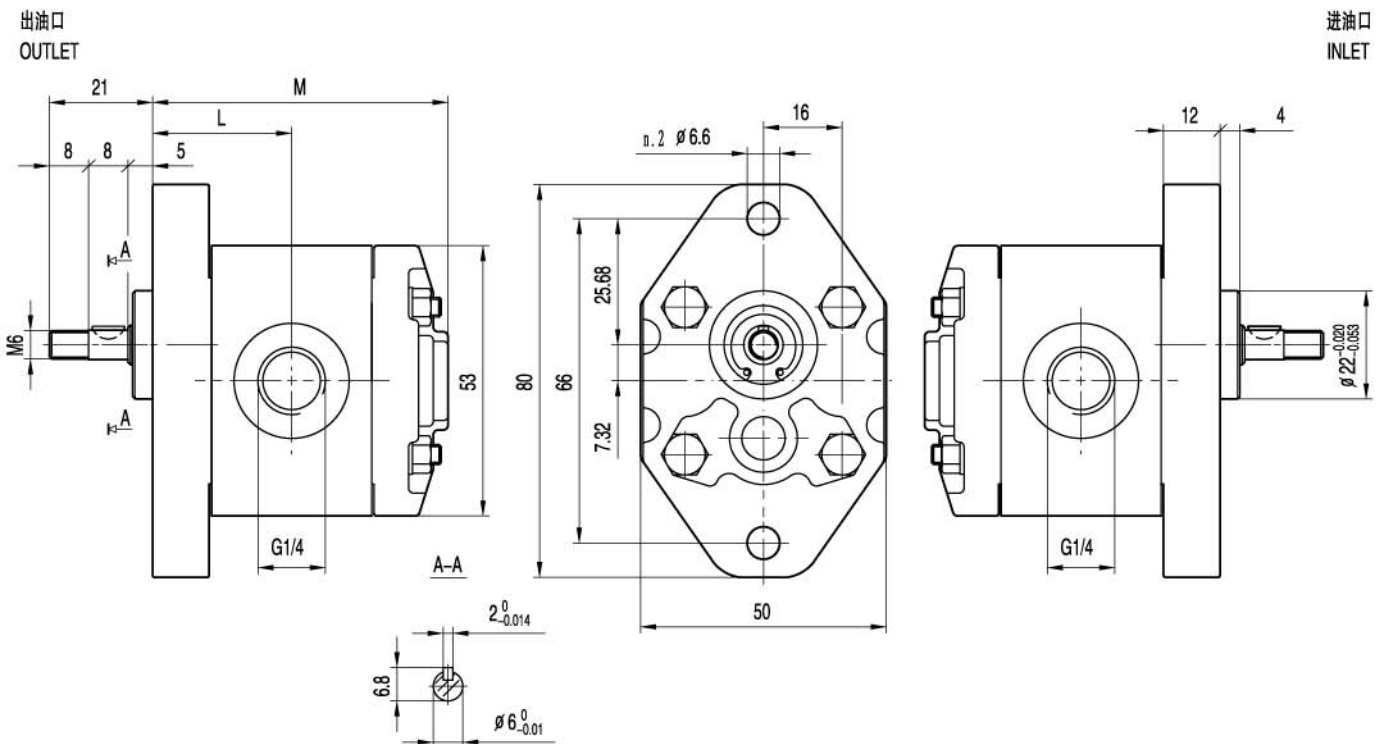
规格 Type	排量 Displacement  (cm <sup>3</sup> /rev)	最大压力 Max pressure			最高转速 Max. speed  (r/min)	最低转速 Min. speed  (r/min)	尺寸 Dimensions  M  mm
		P1 bar	P2 bar	P3 bar			
BKP0.5A0-D-0.19	0.19	200	230	250	7000	1000	60
BKP0.5A0-D-0.26	0.26	200	230	250	7000	1000	60.5
BKP0.5A0-D-0.38	0.38	200	230	250	7000	1000	61.5
BKP0.5A0-D-0.50	0.50	200	230	250	7000	1000	62.5
BKP0.5A0-D-0.65	0.65	200	230	250	7000	1000	63.5
BKP0.5A0-D-0.75	0.75	200	230	250	7000	1000	64.5
BKP0.5A0-D-0.88	0.88	200	230	250	7000	1000	65.5
BKP0.5A0-D-1.00	1.00	200	230	250	6000	850	66.5
BKP0.5A0-D-1.25	1.25	200	230	250	5000	700	68.5
BKP0.5A0-D-1.50	1.50	200	230	250	4000	600	70.5
BKP0.5A0-D-1.75	1.75	180	210	230	4000	600	72.5
BKP0.5A0-D-2.00	2.00	160	190	210	3000	500	74.5

# BKP0.5A1



G1/4 螺纹深 9。  
安装泵时，n.4 M5 螺钉扭矩设定为  
 $5.4 \pm 0.5$  Nm。  
轴伸 M6 螺母扭矩设定为 7 Nm。

G1/4 thread depth 9.  
To mount the pump, n.4 M5 screws,  
with a torque wrench setting fixed  
at  $5.4 \pm 0.5$  Nm.  
Shaft M6 nut, with a torque wrench  
setting fixed at 7 Nm.



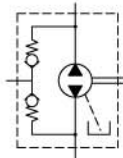
规格 Type	排量 Displacement (cm <sup>3</sup> /rev)	最大压力 Max pressure			最高转速 Max. speed (r/min)	最低转速 Min. speed (r/min)	尺寸 Dimensions	
		P1 bar	P2 bar	P3 bar			M mm	L mm
BKP0.5A1-D-0.19	0.19	200	230	250	7000	1000	60	27.2
BKP0.5A1-D-0.26	0.26	200	230	250	7000	1000	60.5	27.5
BKP0.5A1-D-0.38	0.38	200	230	250	7000	1000	61.5	28
BKP0.5A1-D-0.50	0.50	200	230	250	7000	1000	62.5	28.5
BKP0.5A1-D-0.65	0.65	200	230	250	7000	1000	63.5	29
BKP0.5A1-D-0.75	0.75	200	230	250	7000	1000	64.5	29.5
BKP0.5A1-D-0.88	0.88	200	230	250	7000	1000	65.5	30
BKP0.5A1-D-1.00	1.00	200	230	250	6000	850	66.5	30.5
BKP0.5A1-D-1.25	1.25	200	230	250	5000	700	68.5	31.5
BKP0.5A1-D-1.50	1.50	200	230	250	4000	600	70.5	32.5
BKP0.5A1-D-1.75	1.75	180	210	230	4000	600	72.5	33.5
BKP0.5A1-D-2.00	2.00	160	190	210	3000	500	74.5	34.5

# BKP0.5B2R-VQ1



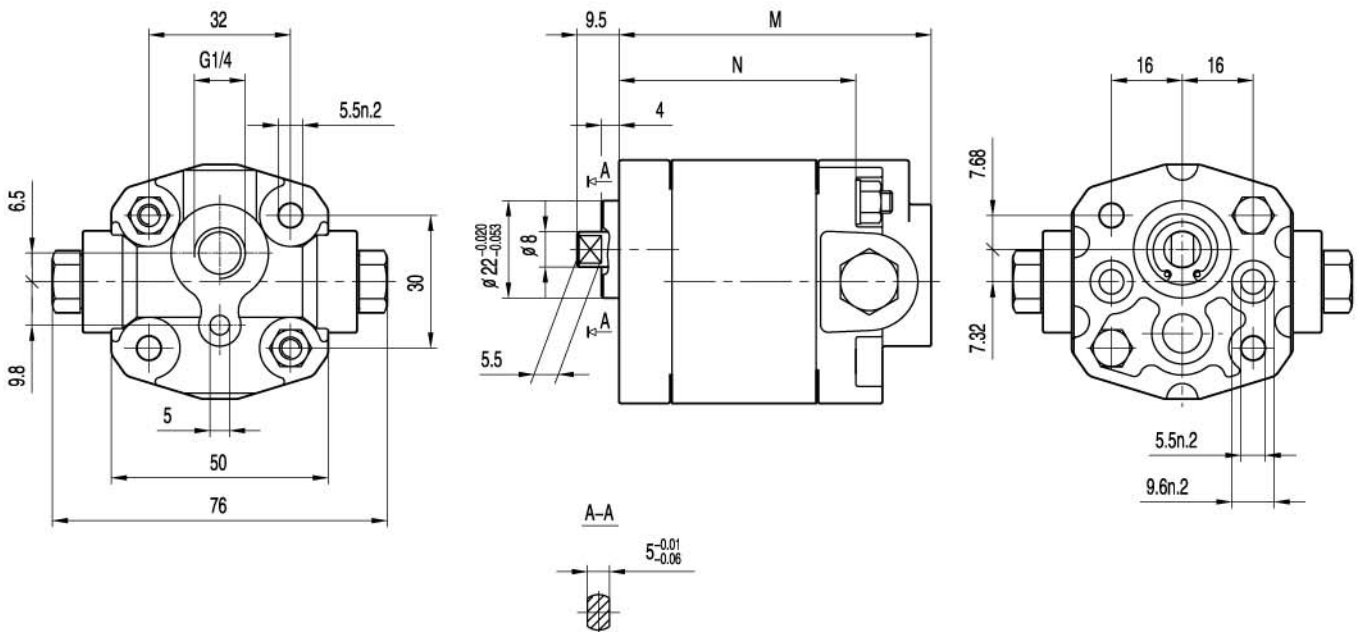
后盖: G1/4 螺纹深 12.  
安装泵时, n.2 M5 螺钉扭矩设定为  
5.4 ± 0.5 Nm.

End cover: G1/4 thread depth 12.  
To mount the pump, n.2 M5 screws,  
with a torque wrench setting fixed  
at 5.4 ± 0.5 Nm.



进油口  
INLET

出油口  
OUTLET

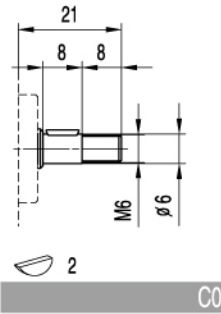
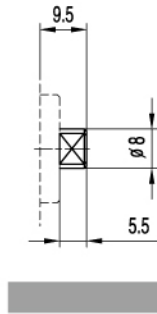
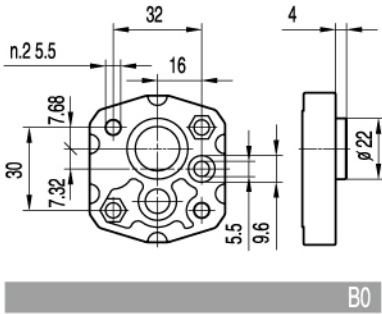


规格 Type	排量 Displacement (cm <sup>3</sup> /rev)	最大压力 Max pressure			最高转速 Max. speed (r/min)	最低转速 Min. speed (r/min)	尺寸 Dimensions	
		P1 bar	P2 bar	P3 bar			M mm	N mm
BKP0.5B2-R-0.19-VQ1	0.19	150	170	190	7000	1000	68	51
BKP0.5B2-R-0.26-VQ1	0.26	150	170	190	7000	1000	68.5	51.5
BKP0.5B2-R-0.38-VQ1	0.38	150	170	190	7000	1000	69.5	52.5
BKP0.5B2-R-0.50-VQ1	0.50	150	170	190	7000	1000	70.5	53.5
BKP0.5B2-R-0.65-VQ1	0.65	150	170	190	7000	1000	71.5	54.5
BKP0.5B2-R-0.75-VQ1	0.75	150	170	190	7000	1000	72.5	55.5
BKP0.5B2-R-0.88-VQ1	0.88	150	170	190	7000	1000	73.5	56.5
BKP0.5B2-R-1.00-VQ1	1.00	150	170	190	6000	850	74.5	57.5
BKP0.5B2-R-1.25-VQ1	1.25	150	170	190	5000	700	76.5	59.5
BKP0.5B2-R-1.50-VQ1	1.50	150	170	190	4000	600	78.5	61.5
BKP0.5B2-R-1.75-VQ1	1.75	150	170	190	4000	600	80.5	63.5
BKP0.5B2-R-2.00-VQ1	2.00	150	170	190	3000	500	82.5	65.5

# BKP0.5

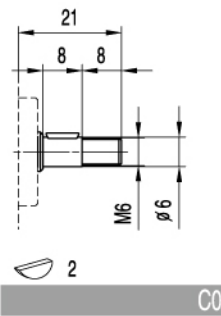
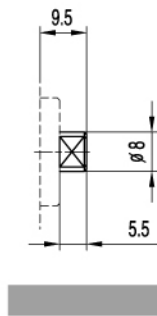
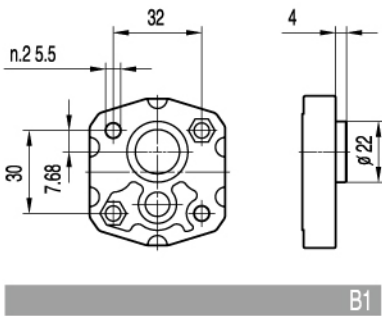
## 前盖/Front Cover

## 轴伸/SHAFTS



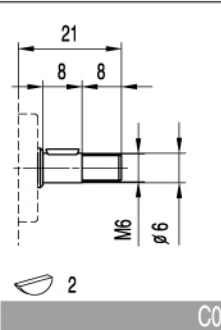
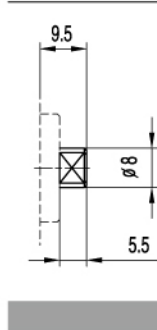
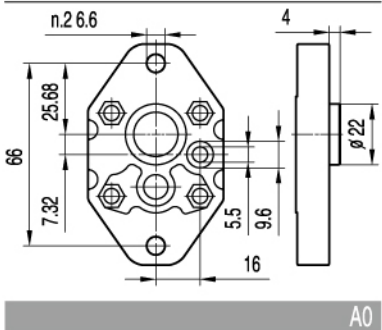
**G0**  
最大扭矩  
Max.Torque 10 Nm

**C0**  
最大扭矩  
Max.Torque 8 Nm



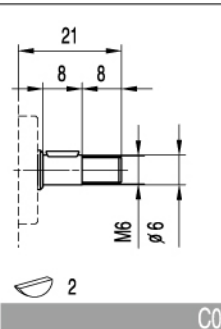
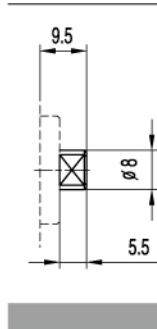
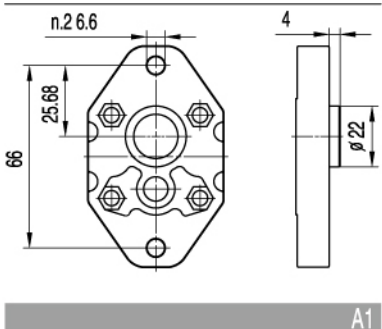
**G0**  
最大扭矩  
Max.Torque 10 Nm

**C0**  
最大扭矩  
Max.Torque 8 Nm



**G0**  
最大扭矩  
Max.Torque 10 Nm

**C0**  
最大扭矩  
Max.Torque 8 Nm



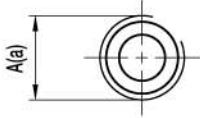
**G0**  
最大扭矩  
Max.Torque 10 Nm

**C0**  
最大扭矩  
Max.Torque 8 Nm



# BKP0.5

## 油口/PORTS



Z0

规格 TYPE	进油口 INLET	出油口 OUTLET
	A	a
BKP0.5...0.19 ÷ BKP0.5...2.00	M10x1	M10x1



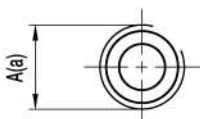
L0

规格 TYPE	进油口 INLET	出油口 OUTLET
	A	a
BKP0.5...0.19 ÷ BKP0.5...2.00	G1/4	ø 5.5



L1

规格 TYPE	进油口 INLET	出油口 OUTLET
	A	a
BKP0.5...0.19 ÷ BKP0.5...2.00	G3/8	ø 5.5



L2

规格 TYPE	进油口 INLET	出油口 OUTLET
	A	a
BKP0.5...0.19 ÷ BKP0.5...2.00	G1/4	G1/4

# BKP1

## 如何订购/ HOW TO ORDER

BK	P	1	前盖 Front cover	旋向 Rotation	规格 Size	轴伸 Shaft	油口 Ports	油口位置 Ports position	油封 Seals	可选项 Options
系列号 Series	P- 齿轮泵 Pump	组别 Group	Q0	D 顺时针转 Clockwise	0.8 1.1					
			Q1	S 逆时针转 Counter clockwise	1.3 1.6 1.8					
			Q2	R 可正反转 Reversible	2.1 2.7					
			B0		3.2 3.7 4.2 4.8 5.8 7.0 8.0					

### 油口位置

省略-侧进侧出  
A-前进前出  
B-后进前出  
C-后进侧出  
D-侧进前出  
R-后进后出

### Ports position

Omit-Side inlet and side outlet  
A-Front inlet and front outlet  
B-Back inlet and front outlet  
C-Back inlet and side outlet  
D-Side inlet and front outlet  
R-Back inlet and back outlet

### 油封

省略-温度范围在-10℃~+80℃,进油口最高绝对压力为3bar。  
V-适用于高温介质, 温度范围在-10℃~+120℃。  
H-适用于低温介质, 温度范围在-40℃~+80℃。  
T-适用于进油口最大绝对压力3-6bar。  
N-适用于进油口最大绝对压力3-10bar。

### Seals

Omit-Range between -10°C and +80°C, inlet pressure up to max. 3 bar absolute.  
V-Version suitable for fluid at hi-temperatures, range between -10°C and +120°C.  
H-Version suitable for fluid at low-temperatures, range between -40°C and +80°C.  
T-Version suitable for inlet pressure up to max. 3 and 6 bar absolute.  
N-Version suitable for inlet pressure up to max. 3 and 10 bar absolute.

### 范例/ Examples:

BKP1-Q0-D-0.8-G0-L1-B= 顺时针转, 排量 0.8 cc/rev, Q0 前盖, G0 扁键轴伸, L1 安装油口, 后进前出, 标准油封  
clockwise rotation, 0.8 cc/rev, Q0 front cover, G0 tang shaft, setting ports L1 type, back inlet and front outlet (B), standard seals  
BKP1-Q1-D-0.8-G0-L3= 顺时针转, 排量 0.8 cc/rev, Q1 前盖, G0 扁键轴伸, L3 安装油口, 标准油封  
clockwise rotation, 0.8 cc/rev, Q1 front cover, G0 tang shaft, setting ports L3 type, standard seals  
BKP1-B0-D-0.8-T0-F0-N= 顺时针转, 排量 0.8 cc/rev, B0 前盖, T0 1:8锥形轴伸, F0 安装油口, 高压油封(N)  
clockwise rotation, 0.8 cc/rev, B0 front cover, 1:8 tapered shaft(T0), setting ports F0 type, high pressure seals(N)

# BKP1Q0

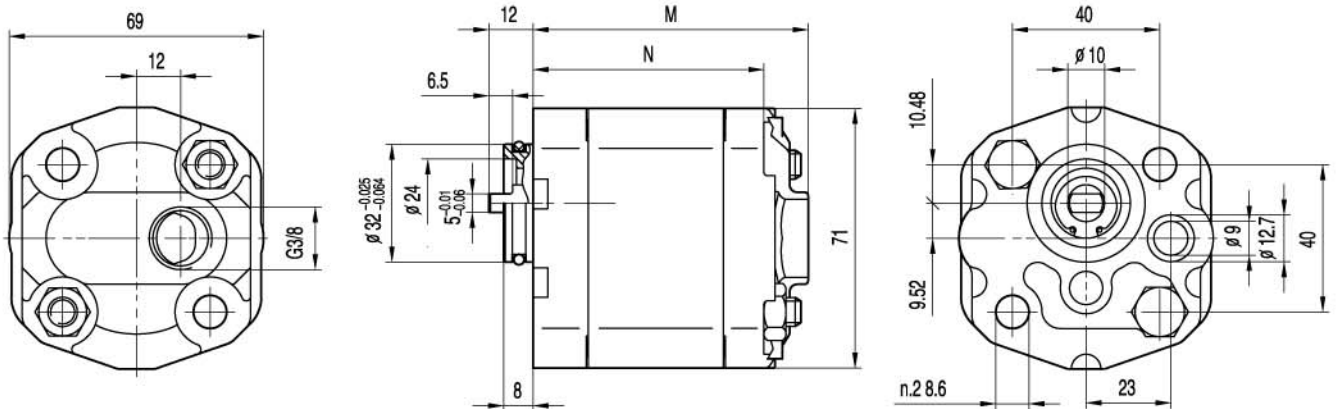


后盖: G3/8 螺纹深 12.  
安装泵时, n.2 M8 螺钉扭矩设定为  
27 ± 3 Nm.

End cover: G3/8 thread depth 12.  
To mount the pump, n.2 M8 screws,  
with a torque wrench setting fixed  
at 27 ± 3 Nm.

进油口  
INLET

出油口  
OUTLET



规格 Type	排量 Displacement (cm <sup>3</sup> /rev)	最大压力 Max pressure			最高转速 Max. speed (r/min)	最低转速 Min. speed (r/min)	尺寸 Dimensions	
		P1 bar	P2 bar	P3 bar			M mm	N mm
BKP1Q0-D-0.8	0.8	230	250	270	6000	1000	73.5	61.5
BKP1Q0-D-1.1	1.1	230	250	270	6000	1000	74	62
BKP1Q0-D-1.3	1.3	230	250	270	6000	1000	75	63
BKP1Q0-D-1.6	1.6	230	250	270	6000	1000	76	64
BKP1Q0-D-1.8	1.8	230	250	270	6000	1000	77	65
BKP1Q0-D-2.1	2.1	230	250	270	6000	1000	78	66
BKP1Q0-D-2.7	2.7	230	250	270	6000	800	80	68
BKP1Q0-D-3.2	3.2	210	230	250	5000	800	82	70
BKP1Q0-D-3.7	3.7	210	230	250	4500	800	84	72
BKP1Q0-D-4.2	4.2	210	230	250	4000	800	86	74
BKP1Q0-D-4.8	4.8	190	210	230	3500	600	88	76
BKP1Q0-D-5.8	5.8	190	210	230	3000	600	92	80
BKP1Q0-D-7.0	7.0	160	180	200	2500	600	96	84
BKP1Q0-D-8.0	8.0	160	180	200	2100	600	100	88

# BKP1Q1

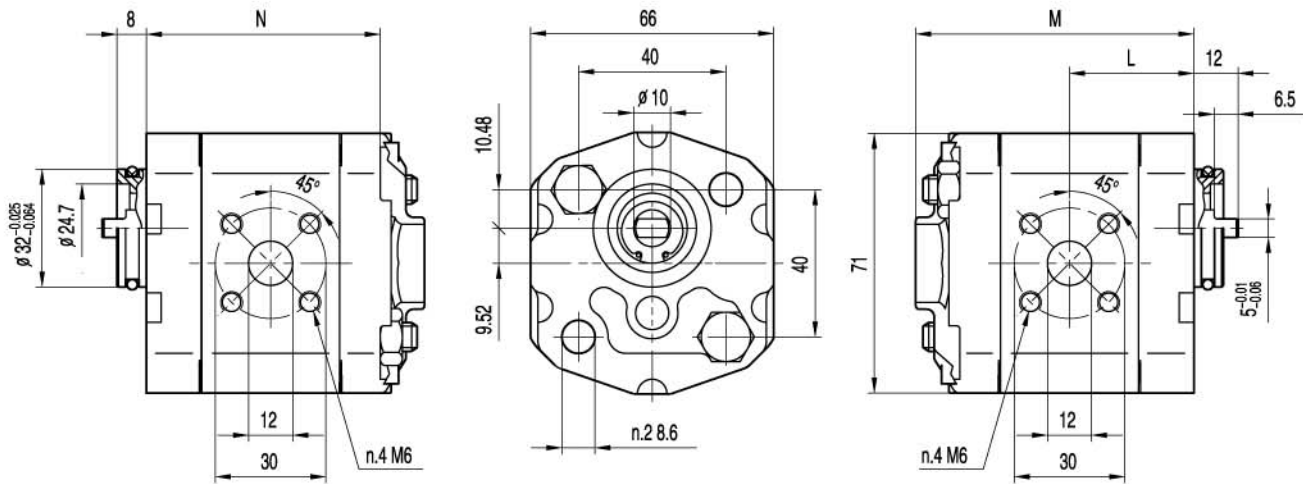


M6 螺纹深 12.  
安装泵时, n.2 M8 螺钉扭矩设定为  
27 ± 3 Nm.

M6 threads depth 12.  
To mount the pump, n.2 M8 screws,  
with a torque wrench setting fixed  
at 27 ± 3 Nm.

出油口  
OUTLET

进油口  
INLET



规格 Type	排量 Displacement (cm <sup>3</sup> /rev)	最大压力 Max pressure			最高转速 Max. speed (r/min)	最低转速 Min. speed (r/min)	尺寸 Dimensions		
		P1 bar	P2 bar	P3 bar			M mm	N mm	L mm
BKP1Q1-D-0.8	0.8	230	250	270	6000	1000	73.5	61.5	32.8
BKP1Q1-D-1.1	1.1	230	250	270	6000	1000	74	62	33
BKP1Q1-D-1.3	1.3	230	250	270	6000	1000	75	63	33.5
BKP1Q1-D-1.6	1.6	230	250	270	6000	1000	76	64	34
BKP1Q1-D-1.8	1.8	230	250	270	6000	1000	77	65	34.5
BKP1Q1-D-2.1	2.1	230	250	270	6000	1000	78	66	35
BKP1Q1-D-2.7	2.7	230	250	270	6000	800	80	68	36
BKP1Q1-D-3.2	3.2	210	230	250	5000	800	82	70	37
BKP1Q1-D-3.7	3.7	210	230	250	4500	800	84	72	38
BKP1Q1-D-4.2	4.2	210	230	250	4000	800	86	74	39
BKP1Q1-D-4.8	4.8	190	210	230	3500	600	88	76	40
BKP1Q1-D-5.8	5.8	190	210	230	3000	600	92	80	42
BKP1Q1-D-7.0	7.0	160	180	200	2500	600	96	84	44
BKP1Q1-D-8.0	8.0	160	180	200	2100	600	100	88	46

# BKP1Q2

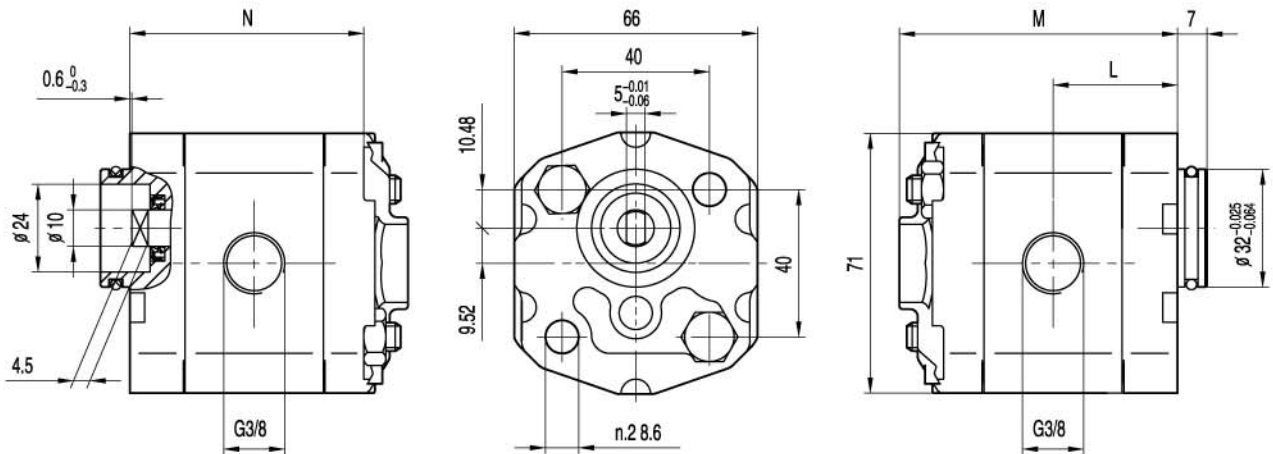


G3/8 螺纹深 12.  
安装泵时, n.2 M8 螺钉扭矩设定为  
27 ± 3 Nm.

G3/8 threads depth 12.  
To mount the pump, n.2 M8 screws,  
with a torque wrench setting fixed  
at 27 ± 3 Nm.

出油口  
OUTLET

进油口  
INLET



规格 Type	排量 Displacement (cm <sup>3</sup> /rev)	最大压力 Max pressure			最高转速 Max. speed (r/min)	最低转速 Min. speed (r/min)	尺寸 Dimensions		
		P1 bar	P2 bar	P3 bar			M mm	N mm	L mm
BKP1Q2-D-0.8	0.8	230	250	270	6000	1000	73.5	61.5	32.8
BKP1Q2-D-1.1	1.1	230	250	270	6000	1000	74	62	33
BKP1Q2-D-1.3	1.3	230	250	270	6000	1000	75	63	33.5
BKP1Q2-D-1.6	1.6	230	250	270	6000	1000	76	64	34
BKP1Q2-D-1.8	1.8	230	250	270	6000	1000	77	65	34.5
BKP1Q2-D-2.1	2.1	230	250	270	6000	1000	78	66	35
BKP1Q2-D-2.7	2.7	230	250	270	6000	800	80	68	36
BKP1Q2-D-3.2	3.2	210	230	250	5000	800	82	70	37
BKP1Q2-D-3.7	3.7	210	230	250	4500	800	84	72	38
BKP1Q2-D-4.2	4.2	210	230	250	4000	800	86	74	39
BKP1Q2-D-4.8	4.8	190	210	230	3500	600	88	76	40
BKP1Q2-D-5.8	5.8	190	210	230	3000	600	92	80	42
BKP1Q2-D-7.0	7.0	160	180	200	2500	600	96	84	44
BKP1Q2-D-8.0	8.0	160	180	200	2100	600	100	88	46

# BKP1B0

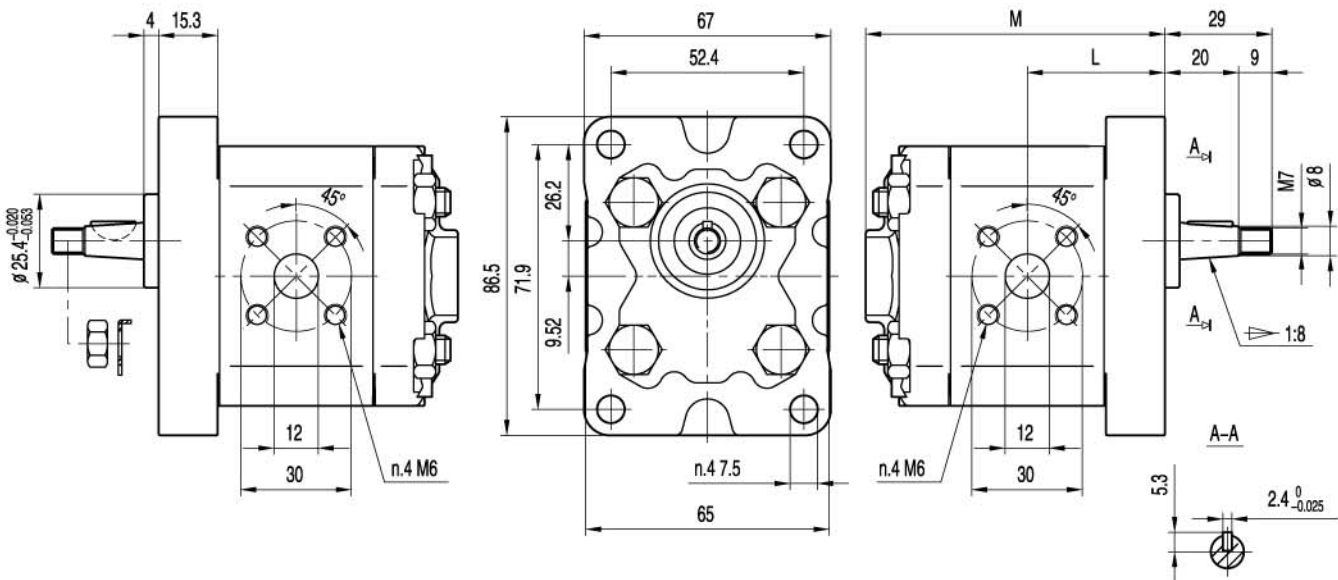


M6 螺纹深 12.  
安装泵时, n.4 M8 螺钉扭矩设定为  
27 ± 3 Nm.  
轴伸 M7 螺母扭矩设定为 8 Nm.

M6 thread depth 12.  
To mount the pump, n.4 M8 screws,  
with a torque wrench setting fixed  
at 27 ± 3 Nm.  
Shaft M7 nut, with a torque wrench  
setting fixed at 8 Nm.

出油口  
OUTLET

进油口  
INLET

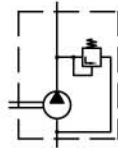


规格 Type	排量 Displacement (cm <sup>3</sup> /rev)	最大压力 Max pressure			最高转速 Max. speed (r/min)	最低转速 Min. speed (r/min)	尺寸 Dimensions	
		P1 bar	P2 bar	P3 bar			M mm	L mm
BKP1B0-D-0.8	0.8	230	250	270	6000	1000	73.5	32.8
BKP1B0-D-1.1	1.1	230	250	270	6000	1000	74	33
BKP1B0-D-1.3	1.3	230	250	270	6000	1000	75	33.5
BKP1B0-D-1.6	1.6	230	250	270	6000	1000	76	34
BKP1B0-D-1.8	1.8	230	250	270	6000	1000	77	34.5
BKP1B0-D-2.1	2.1	230	250	270	6000	1000	78	35
BKP1B0-D-2.7	2.7	230	250	270	6000	800	80	36
BKP1B0-D-3.2	3.2	210	230	250	5000	800	82	37
BKP1B0-D-3.7	3.7	210	230	250	4500	800	84	38
BKP1B0-D-4.2	4.2	210	230	250	4000	800	86	39
BKP1B0-D-4.8	4.8	190	210	230	3500	600	88	40
BKP1B0-D-5.8	5.8	190	210	230	3000	600	92	42
BKP1B0-D-7.0	7.0	160	180	200	2500	600	96	44
BKP1B0-D-8.0	8.0	160	180	200	2100	600	100	46

# BKP1B0-Y



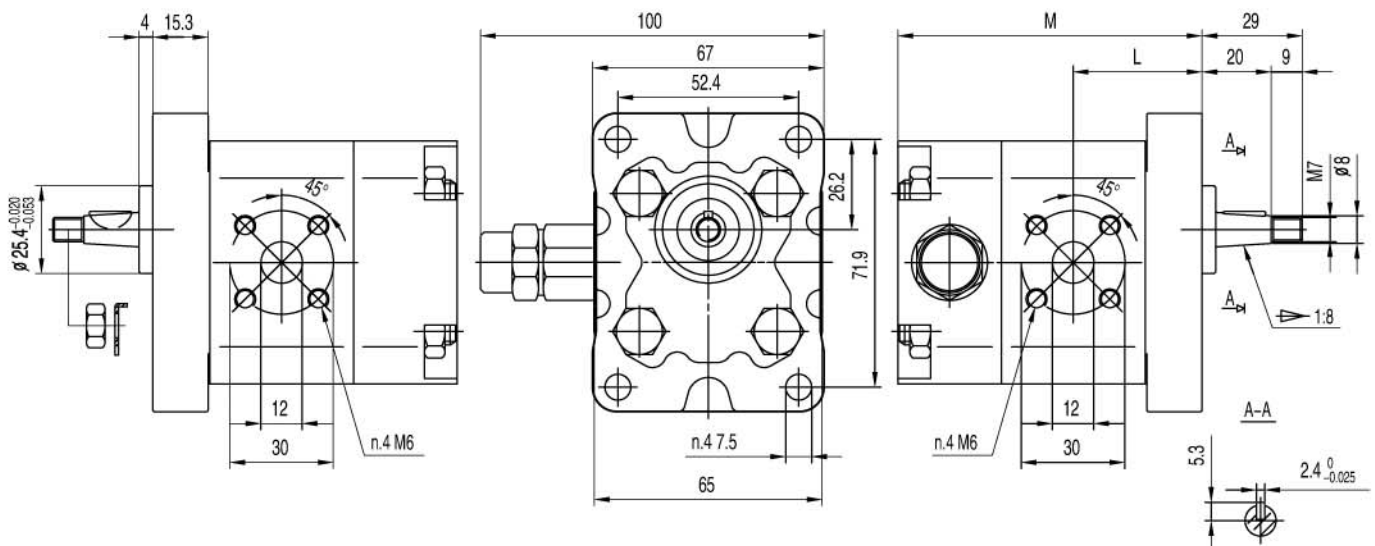
M6 螺纹深 12.  
安装泵时, n.4 M8 螺钉扭矩设定为  
27 ± 3 Nm.  
轴伸 M7 螺母扭矩设定为 8 Nm.



M6 thread depth 12.  
To mount the pump, n.4 M8 screws,  
with a torque wrench setting fixed  
at 27 ± 3 Nm.  
Shaft M7 nut, with a torque wrench  
setting fixed at 8 Nm.

出油口  
OUTLET

进油口  
INLET



规格 Type	排量 Displacement (cm <sup>3</sup> /rev)	最大压力 Max pressure			最高转速 Max. speed (r/min)	最低转速 Min. speed (r/min)	尺寸 Dimensions	
		P1 bar	P2 bar	P3 bar			M mm	L mm
BKP1B0-D-0.8-Y	0.8	230	250	270	6000	1000	82.5	32.8
BKP1B0-D-1.1-Y	1.1	230	250	270	6000	1000	83	33
BKP1B0-D-1.3-Y	1.3	230	250	270	6000	1000	84	33.5
BKP1B0-D-1.6-Y	1.6	230	250	270	6000	1000	85	34
BKP1B0-D-1.8-Y	1.8	230	250	270	6000	1000	86	34.5
BKP1B0-D-2.1-Y	2.1	230	250	270	6000	1000	87	35
BKP1B0-D-2.7-Y	2.7	230	250	270	6000	800	89	36
BKP1B0-D-3.2-Y	3.2	210	230	250	5000	800	91	37
BKP1B0-D-3.7-Y	3.7	210	230	250	4500	800	93	38
BKP1B0-D-4.2-Y	4.2	210	230	250	4000	800	95	39
BKP1B0-D-4.8-Y	4.8	190	210	230	3500	600	97	40
BKP1B0-D-5.8-Y	5.8	190	210	230	3000	600	101	42
BKP1B0-D-7.0-Y	7.0	160	180	200	2500	600	105	44
BKP1B0-D-8.0-Y	8.0	160	180	200	2100	600	109	46

# BHLP1

## 高低压多联泵

BHLP1高低压压齿泵适合应用于系统液压驱动器在低负载时能快速前进或返回，而当液压驱动器在高负载时能低速运动的液压系统，特别是该结构具有对电机功率要求低的优势。

BHLP1高低压齿泵是一款带特殊集成阀的双联齿泵（见如下图表），它广泛适用于垃圾压缩机、劈木机、卡紧机械、折边机和金属成形机等。

## HIGH-LOW MULTIPLE PUMPS

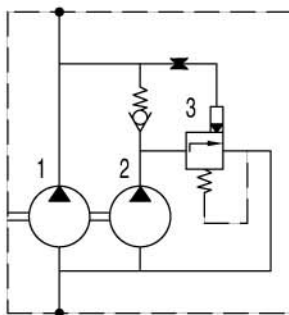
BHLP1 High-Low hydraulic gear pumps is the very ideal pump for applications which require a quick approach and/or return of the actuator at low loads and slow motion of the actuator at high loads. In particular this model offers the advantage of requiring lower power of the motor.

BHLP1 High-Low hydraulic gear pumps is a special double stage pump with special integrated valves (as shown in the hydraulic diagram) has been specially designed for applications such as trash compactors, log splitters, clamping mechanisms, crimping machines, metal forming machines etc.

## 技术特征

## Technical features

前泵小排量高压力 First stage Low displacement high pressure	排量从1.1cm <sup>3</sup> /rev 到3.2cm <sup>3</sup> /rev-P1=230 bar From 1.1cm <sup>3</sup> /rev to 3.2cm <sup>3</sup> /rev- P1= 230 bar
后泵大排量低压力 Second stage High displacement low pressure	排量从3.7cm <sup>3</sup> /rev 到9.8cm <sup>3</sup> /rev- (压力由卸荷阀设定) From 3.7cm <sup>3</sup> /rev to 9.8cm <sup>3</sup> /rev- (Pressure set by unloading valve)
卸荷阀 Unloading valve	标准设定压力 35 bar Standard setting 35 bar
转速范围 RPM pump range	从1000转到3500转 From 1000 rpm to 3500 rpm
前盖和轴伸 Flanges and shafts	见BKP1目录 Ref. BKP1 catalogue
油口 Ports	侧进侧出，油口代号为L5 Common inlet. Common outlet. Side ports code L5



1. First stage high pressure
2. Second stage low pressure
3. Unloading valve

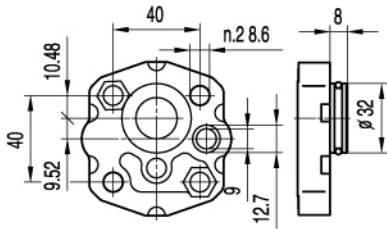




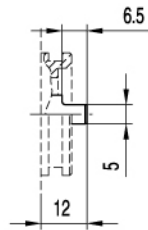
# BKP1

## 前盖/Front COVER

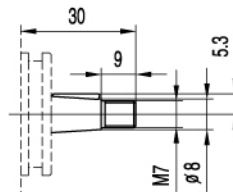
## 轴伸/SHAFTS



Q0



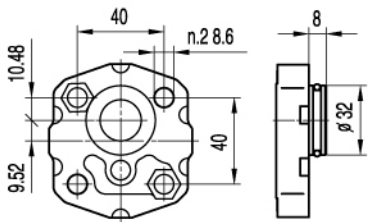
G0



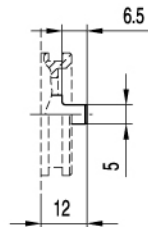
T0

最大扭矩  
Max.Torque 20 Nm

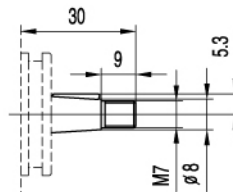
最大扭矩  
Max.Torque 25 Nm



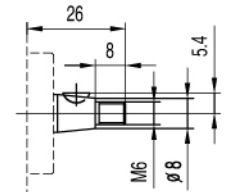
Q1



G0



T0

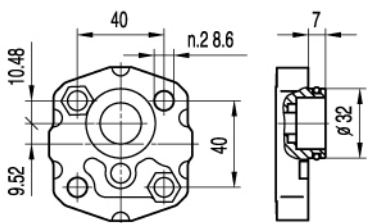


T1

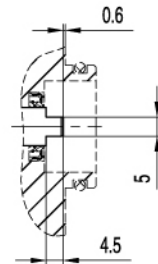
最大扭矩  
Max.Torque 20 Nm

最大扭矩  
Max.Torque 25 Nm

最大扭矩  
Max.Torque 23 Nm

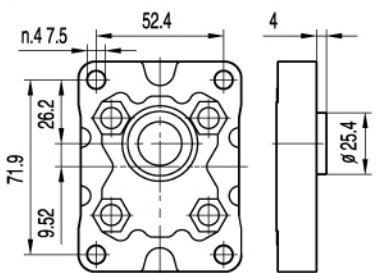


Q2

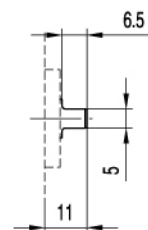


G1

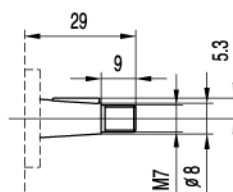
最大扭矩  
Max.Torque 20 Nm



B0



G0



T0

最大扭矩  
Max.Torque 20 Nm

最大扭矩  
Max.Torque 25 Nm

# BKP1

## 油口/PORTS



L0

规格 TYPE	进油口 INLET	出油口 OUTLET
	A	a
BKP1...0.8 ÷ BKP1...8.0	G1/4	∅9



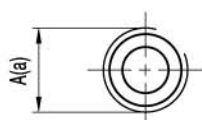
L1

规格 TYPE	进油口 INLET	出油口 OUTLET
	A	a
BKP1...0.8 ÷ BKP1...8.0	G3/8	∅9



N0

规格 TYPE	进油口 INLET	出油口 OUTLET
	A	a
BKP1...0.8 ÷ BKP1...8.0	3/8 NPT	∅9

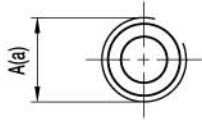


L2

规格 TYPE	进油口 INLET	出油口 OUTLET
	A	a
BKP1...0.8 ÷ BKP1...8.0	G3/8	G1/4

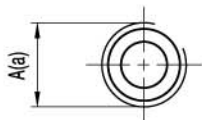
# BKP1

## 油口/PORTS



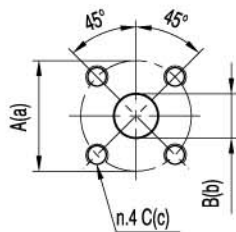
L3

规格 TYPE	进油口 INLET	出油口 OUTLET
	A	a
BKP1...0.8 ÷ BKP1...8.0	G3/8	G3/8



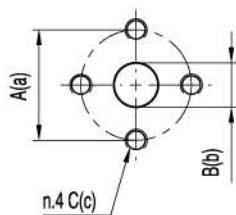
Z0

规格 TYPE	进油口 INLET	出油口 OUTLET
	A	a
BKP1...0.8 ÷ BKP1...8.0	M18x1.5	M14x1.5



F0

规格 TYPE	进油口 INLET			出油口 OUTLET		
	A	B	C	a	b	c
BKP1...0.8 ÷ BKP1...8.0	30	12	M6	30	12	M6



E0

规格 TYPE	进油口 INLET			出油口 OUTLET		
	A	B	C	a	b	c
BKP1...0.8 ÷ BKP1...8.0	30	12	M6	30	12	M6

# BAP1 [BHM1]

## 如何订购/ HOW TO ORDER

BA	P	1	前盖 Front cover	旋向 Rotation	规格 Size	轴伸 Shaft	油口 Ports	油口位置 Ports position	油封 Seals	可选项 Options
系列号 Series	P- 齿轮泵 Pump	组别 Group	B0	D 顺时针转 Clockwise	1.4					
BA- 前、后盖材料为铝合金 BA-Front and end cover material aluminum	M- 齿轮马达 Motor		A0	S 逆时针转 Counter clockwise	2.1					
BH- 前、后盖材料为铸铁, 压力比“BA”系列高 30bar。 BH-Front and end cover material cast iron, pressure than “BA”series high 30 bar.			Q0	R 可正反转 Reversible	2.8					
					3.5					
					4.1					
					5.2					
					6.2					
					7.6					
					9.3					
					11.0					
					13.8					

可选项 / Options
排油管 / Drain
Q0-内部排油 / internal drain
Q1-外部排油 / external drain G1/4
Q2-外部排油 / external drain 7/16-20 UNF
Q3-外部排油 / external drain 9/16-18 UNF

### 油口位置

省略-侧进侧出  
A-前进前出  
B-后进前出  
C-后进侧出  
D-侧进前出  
R-后进后出

### Ports position

Omit-Side inlet and side outlet  
A-Front inlet and front outlet  
B-Back inlet and front outlet  
C-Back inlet and side outlet  
D-Side inlet and front outlet  
R-Back inlet and back outlet

### 油封

省略-温度范围在-10℃~+80℃,进油口最高绝对压力为3bar。  
V-适用于高温介质, 温度范围在-10℃~+120℃。  
H-适用于低温介质, 温度范围在-40℃~+80℃。  
H-适用于低温介质, 温度范围在-40℃~+80℃。  
N-适用于进油口最大绝对压力3-10bar。

### Seals

Omit-Range between -10°C and +80°C, inlet pressure up to max. 3 bar absolute.  
V-Version suitable for fluid at hi-temperatures, range between -10°C and +120°C.  
H-Version suitable for fluid at low-temperatures, range between -40°C and +80°C.  
T-Version suitable for inlet pressure up to max. 3 and 6 bar absolute.  
N-Version suitable for inlet pressure up to max. 3 and 10 bar absolute.

### 范例/ Examples:

BAP1-B0-D-1.4-T0-E0 = 顺时针转, 排量 1.4 cc/rev, B0 前盖, T0 1:8锥形轴伸, E0 安装油口, 标准油封  
clockwise rotation, 1.4 cc/rev, B0 front cover, 1:8 tapered shaft(T0), setting ports E0 type, standard seals  
BAP1-A0-D-1.4-C0-R0 = 顺时针转, 排量 1.4 cc/rev, A0 前盖, C0 圆柱轴伸, R0 安装油口, 标准油封  
clockwise rotation, 1.4 cc/rev, A0 front cover, C0 parallel shaft, setting ports R0 type, standard seals  
BAP1-Q0-D-1.4-C2-U0-N= 顺时针转, 排量 1.4 cc/rev, B0 前盖, C2 圆柱轴伸, U0 安装油口, 高压油封(N)  
clockwise rotation, 1.4 cc/rev, Q0 front cover, C2 parallel shaft, setting ports U0 type, high pressure seals(N)

# BAP1B0

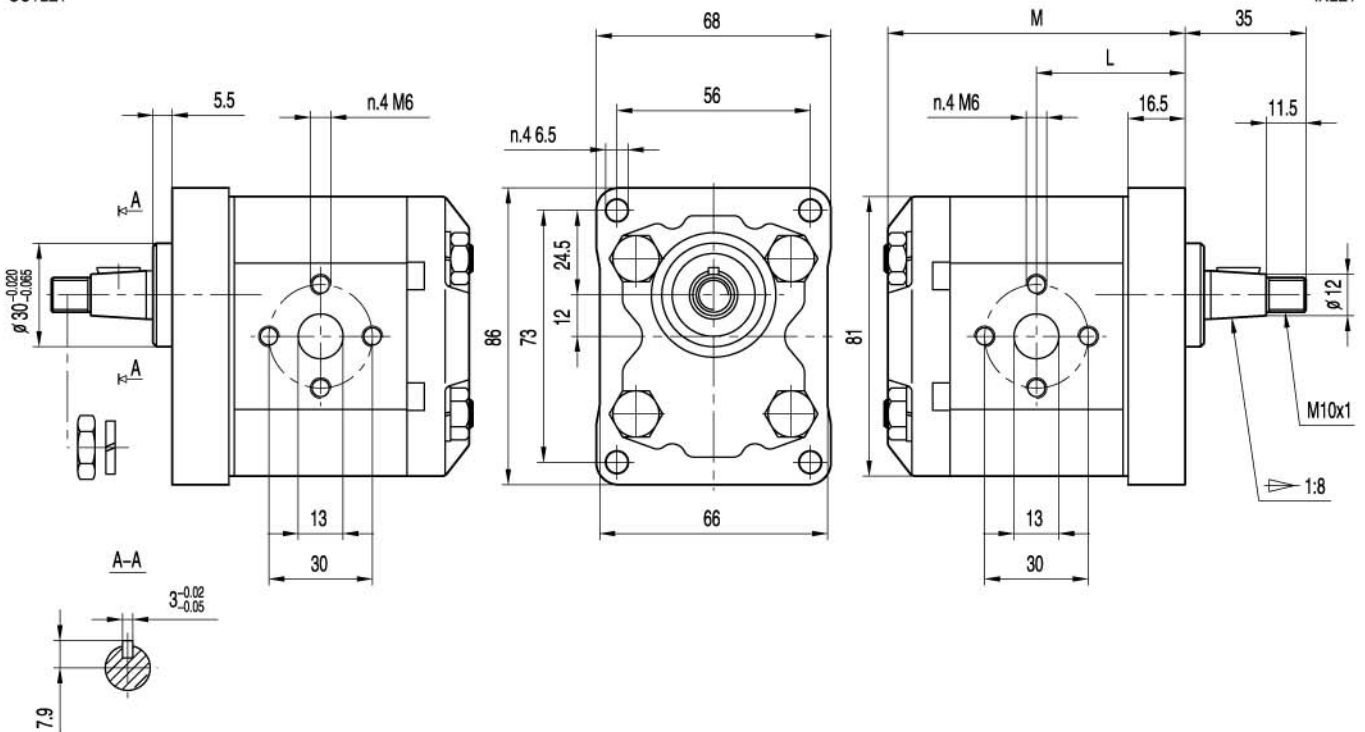


M6 螺纹深 13.  
安装泵时, n.4 M8 螺钉扭矩设定为  
 $27 \pm 3$  Nm.  
轴伸 M10 螺母扭矩设定为 40 Nm.

M6 thread depth 13.  
To mount the pump, n.4 M8 screws,  
with a torque wrench setting fixed  
at  $27 \pm 3$  Nm.  
Shaft M10 nut, with a torque wrench  
setting fixed at 40 Nm.

出油口  
OUTLET

进油口  
INLET



规格 Type	排量 Displacement ( $\text{cm}^3/\text{rev}$ )	最大压力 Max pressure			最高转速 Max. speed ( $\text{r}/\text{min}$ )	最低转速 Min. speed ( $\text{r}/\text{min}$ )	尺寸 Dimensions	
		P1 bar	P2 bar	P3 bar			M mm	L mm
BAP1B0-D-1.4	1.4	250	270	290	6000	800	80.5	40
BAP1B0-D-2.1	2.1	250	270	290	6000	800	82.5	41
BAP1B0-D-2.8	2.8	250	270	290	5000	800	84.5	42
BAP1B0-D-3.5	3.5	250	270	290	5000	800	86.5	43
BAP1B0-D-4.1	4.1	250	270	290	4000	800	88.5	44
BAP1B0-D-5.2	5.2	230	245	260	4000	800	91.5	45.5
BAP1B0-D-6.2	6.2	230	245	260	3800	800	94.5	47
BAP1B0-D-7.6	7.6	200	215	230	3200	600	98.5	49
BAP1B0-D-9.3	9.3	180	195	210	2600	600	103.5	51.5
BAP1B0-D-11.0	11.0	170	185	200	2200	600	108.5	54
BAP1B0-D-13.8	13.8	150	165	180	1800	600	116.5	58

# BAP1A0

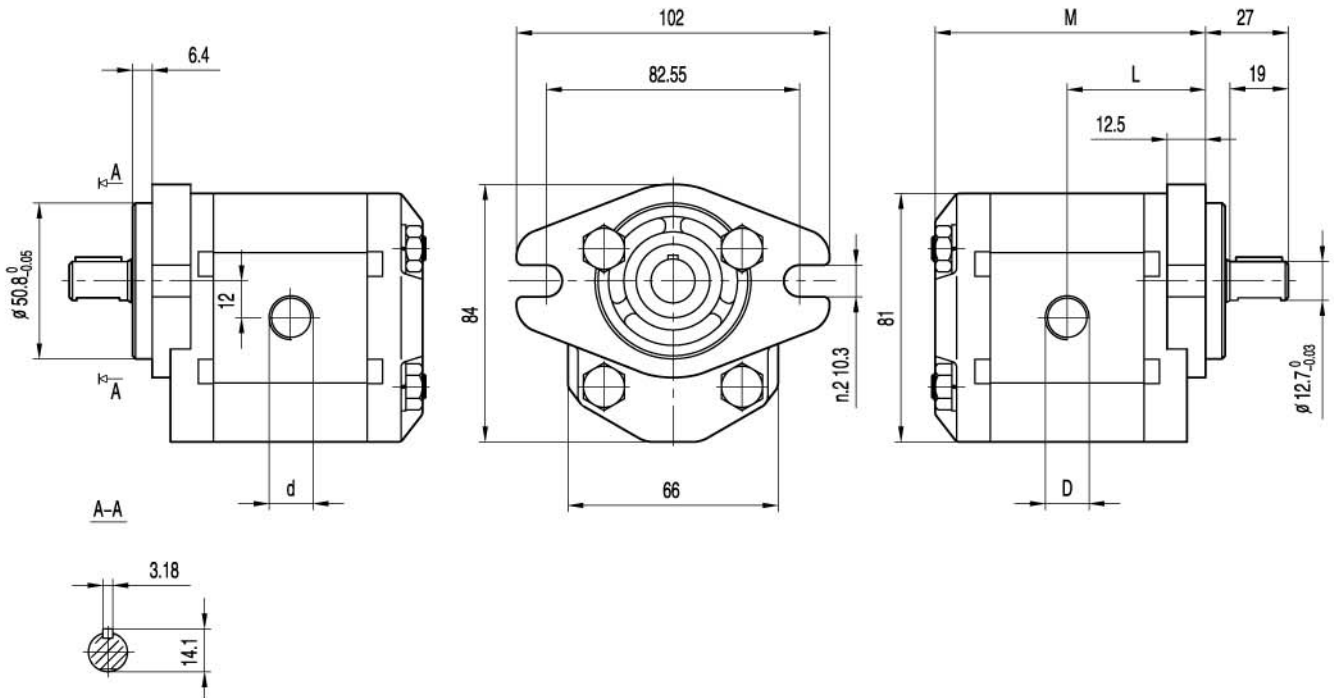


"D"和"d"油口有螺纹加工,用O形圈密封,旁侧削平的SAE J1926/1 (ISO J1926-1)。  
安装泵时, n.4 M8 螺钉扭矩设定为  $27 \pm 3$  Nm。

"D" and "d" ports are machined in compliance with threaded port with O-ring seal in truncated housing SAE J1926/1 (ISO J1926-1).  
To mount the pump, n.4 M8 screws, with a torque wrench setting fixed at  $27 \pm 3$  Nm.

出油口  
OUTLET

进油口  
INLET



规格 Type	排量 Displacement	最大压力 Max pressure			最高转速 Max. speed	最低转速 Min. speed	尺寸 Dimensions			
		P1	P2	P3			M	L	D	d
	( $\text{cm}^3/\text{rev}$ )	bar	bar	bar	( $\text{r}/\text{min}$ )	( $\text{r}/\text{min}$ )	mm	mm		
BAP1A0-D-1.4	1.4	250	270	290	6000	800	82.5	42	PT1/2	PT3/8
BAP1A0-D-2.1	2.1	250	270	290	6000	800	84.5	43	PT1/2	PT3/8
BAP1A0-D-2.8	2.8	250	270	290	5000	800	86.5	44	PT1/2	PT3/8
BAP1A0-D-3.5	3.5	250	270	290	5000	800	88.5	45	PT1/2	PT3/8
BAP1A0-D-4.1	4.1	250	270	290	4000	800	90.5	46	PT1/2	PT3/8
BAP1A0-D-5.2	5.2	230	245	260	4000	800	93.5	47.5	PT1/2	PT3/8
BAP1A0-D-6.2	6.2	230	245	260	3500	800	96.5	49	PT1/2	PT3/8
BAP1A0-D-7.6	7.6	200	215	230	3000	600	100.5	51	PT3/4	PT1/2
BAP1A0-D-9.3	9.3	180	195	210	2500	600	105.5	53.5	PT3/4	PT1/2
BAP1A0-D-11.0	11.0	170	185	200	2500	600	110.5	56	PT3/4	PT1/2
BAP1A0-D-13.8	13.8	150	165	180	2000	600	118.5	60	PT3/4	PT1/2

# BAP1Q0

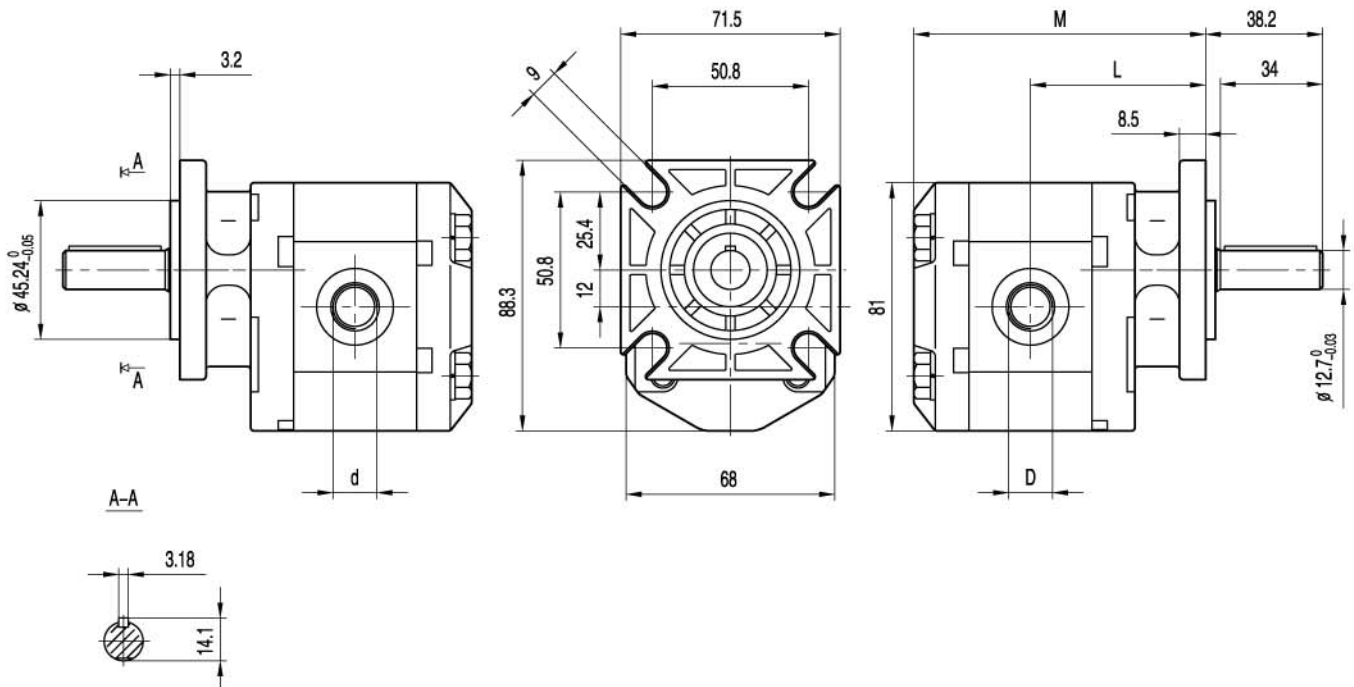


"D"和"d"油口有螺纹加工，用O形圈密封，旁侧削平的SAE J1926/1 (ISO J1926-1)。  
安装泵时，n.4 M8 螺钉扭矩设定为  $27 \pm 3$  Nm.

"D" and "d" ports are machined in compliance with threaded port with O-ring seal in truncated housing SAE J1926/1 (ISO J1926-1).  
To mount the pump, n.4 M8 screws, with a torque wrench setting fixed at  $27 \pm 3$  Nm.

出油口  
OUTLET

进油口  
INLET



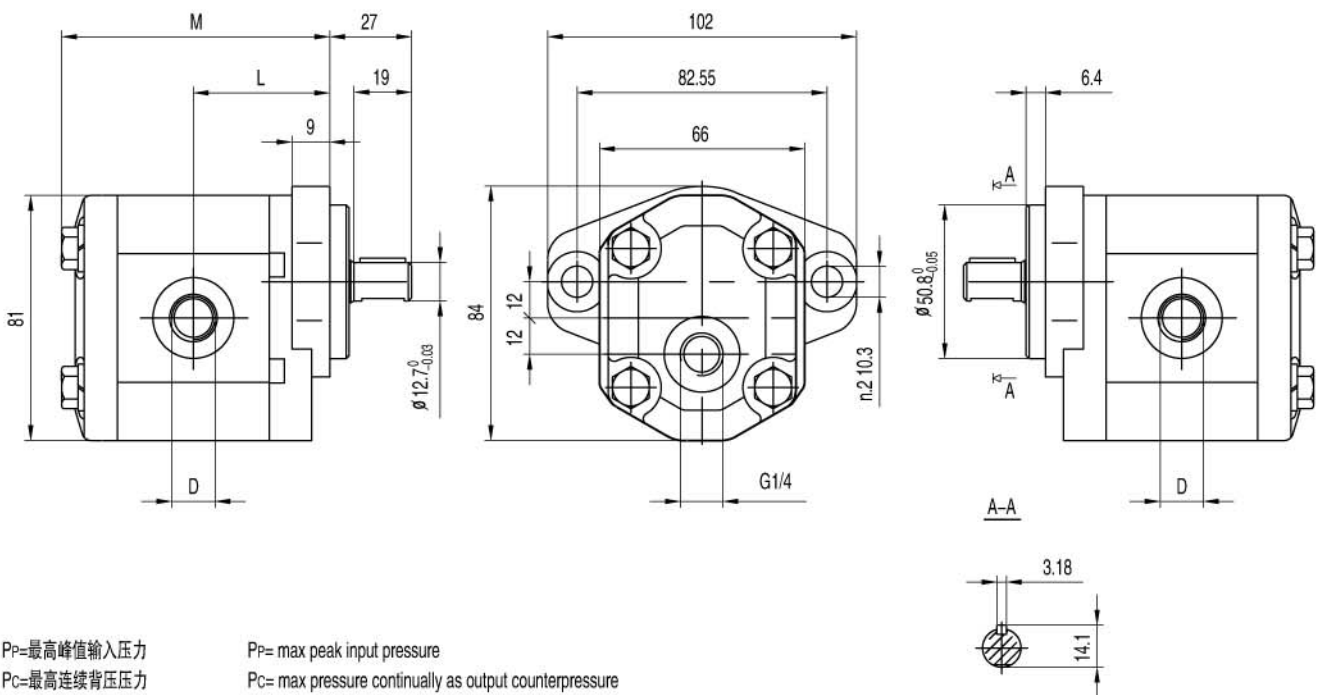
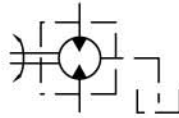
规格 Type	排量 Displacement ( $\text{cm}^3/\text{rev}$ )	最大压力 Max pressure			最高转速 Max. speed ( $\text{r}/\text{min}$ )	最低转速 Min. speed ( $\text{r}/\text{min}$ )	尺寸 Dimensions			
		P1 bar	P2 bar	P3 bar			M mm	L mm	D	d
BAP1Q0-D-1.4	1.4	250	270	290	6000	800	98	59	3/4-16UNF	9/16-18UNF
BAP1Q0-D-2.1	2.1	250	270	290	6000	800	100	60	3/4-16UNF	9/16-18UNF
BAP1Q0-D-2.8	2.8	250	270	290	5000	800	102	61	3/4-16UNF	9/16-18UNF
BAP1Q0-D-3.5	3.5	250	270	290	5000	800	104	62	3/4-16UNF	9/16-18UNF
BAP1Q0-D-4.1	4.1	250	270	290	4000	800	106	63	3/4-16UNF	9/16-18UNF
BAP1Q0-D-5.2	5.2	230	245	260	4000	800	109	64.5	3/4-16UNF	9/16-18UNF
BAP1Q0-D-6.2	6.2	230	245	260	3500	800	112	66	3/4-16UNF	9/16-18UNF
BAP1Q0-D-7.6	7.6	200	215	230	3000	600	116	68	7/8-14UNF	3/4-16UNF
BAP1Q0-D-9.3	9.3	180	195	210	2500	600	121	70.5	7/8-14UNF	3/4-16UNF
BAP1Q0-D-11.0	11.0	170	185	200	2500	600	126	73	7/8-14UNF	3/4-16UNF
BAP1Q0-D-13.8	13.8	150	165	180	2000	600	134	77	7/8-14UNF	3/4-16UNF

# BHM1A0



"D"和"d"油口有螺纹加工, 用O形圈密封, 旁侧削平的SAE J1926/1 (ISO J1926-1)。  
安装泵时, n.4 M8螺钉扭矩设定为  $30 \pm 3\text{Nm}$ 。

"D" and "d" ports are machined in compliance with threaded port with O-ring seal in truncated housing SAE J1926/1 (ISO J1926-1).  
To mount the pump, n.4 M8 screws, with a torque wrench setting fixed at  $30 \pm 3\text{Nm}$ .



PP=最高峰值输入压力  
PC=最高连续背压压力  
PI=最高连续输入压力

PP= max peak input pressure  
PC= max pressure continually as output counterpressure  
PI= max peak input pressure continually

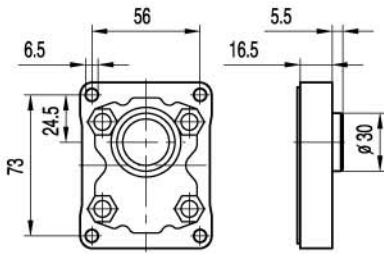
规格 Type	排量 Displacement ( $\text{cm}^3/\text{rev}$ )	最大压力 Max pressure			最高转速 Max. speed ( $\text{r}/\text{min}$ )	最低转速 Min. speed ( $\text{r}/\text{min}$ )	尺寸 Dimensions		
		PI	PC	PP			M	L	D
BHM1A0-R-1.4-Q1	1.4	270	260	290	5000	800	82.5	42	3/4-16UNF
BHM1A0-R-2.1-Q1	2.1	270	260	290	5000	800	84.5	43	3/4-16UNF
BHM1A0-R-2.8-Q1	2.8	270	260	290	5000	800	86.5	44	3/4-16UNF
BHM1A0-R-3.5-Q1	3.5	270	260	290	5000	800	88.5	45	3/4-16UNF
BHM1A0-R-4.1-Q1	4.1	270	260	290	4000	800	90.5	46	3/4-16UNF
BHM1A0-R-5.2-Q1	5.2	260	250	275	3500	800	93.5	47.5	3/4-16UNF
BHM1A0-R-6.2-Q1	6.2	260	250	275	3000	800	96.5	49	3/4-16UNF
BHM1A0-R-7.6-Q1	7.6	230	220	245	3000	600	100.5	51	7/8-14UNF
BHM1A0-R-9.3-Q1	9.3	210	200	225	3000	600	105.5	53.5	7/8-14UNF
BHM1A0-R-11.0-Q1	11.0	200	190	215	2500	600	110.5	56	7/8-14UNF
BHM1A0-R-13.8-Q1	13.8	180	170	195	2200	600	118.5	60	7/8-14UNF



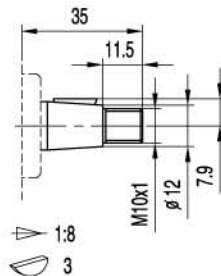
# BAP1

## 前盖/Front COVER

## 轴伸/SHAFTS

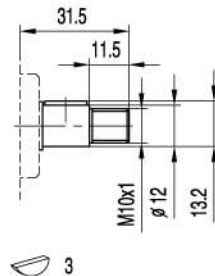


B0



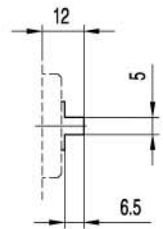
T0

最大扭矩  
Max.Torque 100 Nm



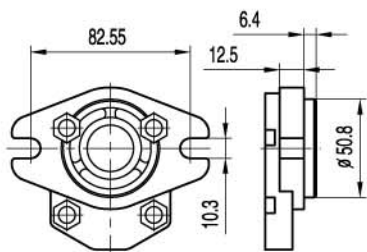
C1

最大扭矩  
Max.Torque 55 Nm

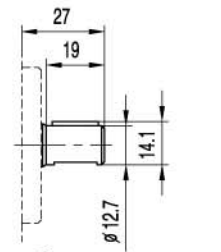


G0

最大扭矩  
Max.Torque 45 Nm

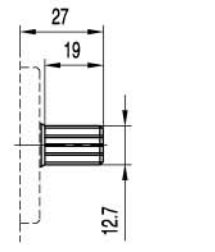


A0



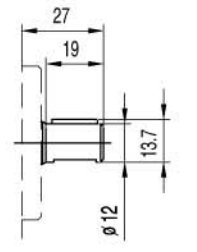
C0

最大扭矩  
Max.Torque 60 Nm



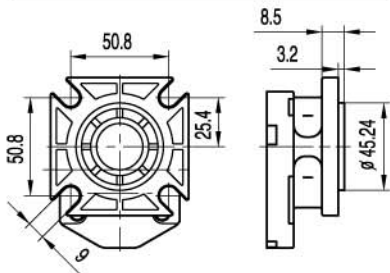
S0

最大扭矩  
Max.Torque 100 Nm

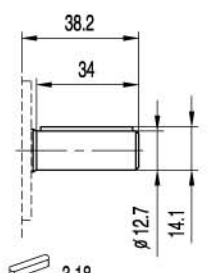


C5

最大扭矩  
Max.Torque 70 Nm

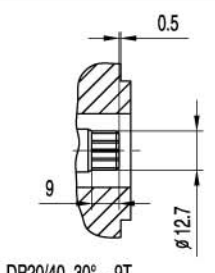


Q0



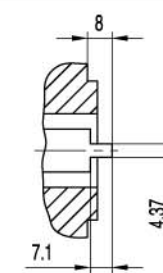
C2

最大扭矩  
Max.Torque 100 Nm



S1

最大扭矩  
Max.Torque 95 Nm

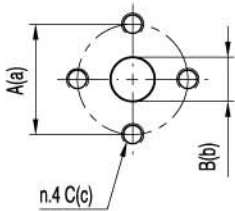


G1

最大扭矩  
Max.Torque 45 Nm

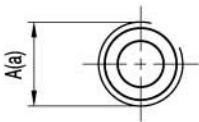
# BAP1 [BHP1]

## 油口/PORTS



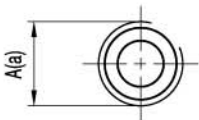
E0

规格 TYPE	进油口 INLET			出油口 OUTLET		
	A	B	C	a	b	c
BAP1...1.4 ÷ BAP1...13.8	30	13	M6	30	13	M6



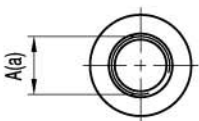
L0/L1/L2/L3

规格 TYPE	油口代号 PORTS CODE	进油口 INLET	出油口 OUTLET
		A	a
BAP1...1.4 ÷ BAP1...3.5	L0	G1/2	G3/8
BAP1...4.1 ÷ BAP1...13.8	L1	G1/2	G1/2
BAP1...1.4 ÷ BAP1...3.5	L2	G3/8	G3/8
BAP1...4.1 ÷ BAP1...13.8	L3	G3/4	G1/2



R0/R1/R2/R3

规格 TYPE	油口代号 PORTS CODE	进油口 INLET	出油口 OUTLET
		A	a
BAP1...1.4 ÷ BAP1...6.2	R0	PT1/2	PT3/8
BAP1...7.6 ÷ BAP1...13.8	R1	PT3/4	PT1/2
BAP1...1.4 ÷ BAP1...13.8	R2	PT1/2	PT1/2
BAP1...1.4 ÷ BAP1...6.2	R3	PT3/8	PT3/8



U0/U1/U2/U3

规格 TYPE	油口代号 PORTS CODE	进油口 INLET	出油口 OUTLET
		A	a
BAP1...1.4 ÷ BAP1...6.2	U0	3/4-16UNF	9/16-18UNF
BAP1...7.6 ÷ BAP1...13.8	U1	7/8-14UNF	3/4-16UNF
BAP1...1.4 ÷ BAP1...6.2	U0	3/4-16UNF	3/4-16UNF
BAP1...7.6 ÷ BAP1...13.8	U1	7/8-14UNF	7/8-14UNF

# BAP1.5

## 如何订购/ HOW TO ORDER

BA	P	1.5	前盖 Front cover	旋向 Rotation	规格 Size	轴伸 Shaft	油口 Ports	油口位置 Ports position	油封 Seals	可选项 Options
系列号 Series	P- 齿轮泵 Pump	组别 Group	Q0	D 顺时针转 Clockwise	2					
				S 逆时针转 Counter clockwise	3					
					4					
					5					
					6					
				R 可正反转 Reversible	8					
					9					
					11					
					12					

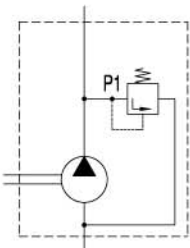
### 油封

省略-温度范围在-10℃~+80℃,进油口最高绝对压力为3bar。  
V-适用于高温介质, 温度范围在-10℃~+120℃。  
H-适用于低温介质, 温度范围在-40℃~+80℃。  
T-适用于进油口最大绝对压力3-6bar。  
N-适用于进油口最大绝对压力3-10bar。

### Seals

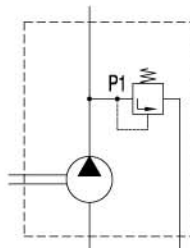
Omit-Range between -10°C and +80°C, inlet pressure up to max. 3 bar absolute.  
V-Version suitable for fluid at hi-temperatures, range between -10°C and +120°C.  
H-Version suitable for fluid at low-temperatures, range between -40°C and +80°C.  
T-Version suitable for inlet pressure up to max. 3 and 6 bar absolute.  
N-Version suitable for inlet pressure up to max. 3 and 10 bar absolute.

### 可选项/Options



溢流阀。  
卸压流量回到吸油口。  
控制压力 P1=5...250bar。  
Pressure relief valve.  
Discharge returned to suction.  
P1= 5...250 bar.  
订货号/Ordering code

Y 180xx



溢流阀。  
卸压流量外泄。  
控制压力 P1=5...250bar。  
Pressure relief valve.  
Discharge returned to externally.  
P1= 5...250 bar.

P 120xx

### 范例/ Examples:

BAP1.5-Q0-D-2-C0-E0 = 顺时针转, 排量 2 cc/rev, Q0 前盖, C0 圆柱轴伸, E0 安装油口, 标准油封  
clockwise rotation, 2 cc/rev, Q0 front cover, C0 parallel shaft, setting ports E0 type, standard seals  
BAP1.5-Q0-D-2-C0-E0-N= 顺时针转, 排量 2 cc/rev, Q0 前盖, C0 圆柱轴伸, E0 安装油口, 高压油封(N)  
clockwise rotation, 2 cc/rev, Q0 front cover, C0 parallel shaft, setting ports E0 type, high pressure seals(N)

# BAP1.5Q0

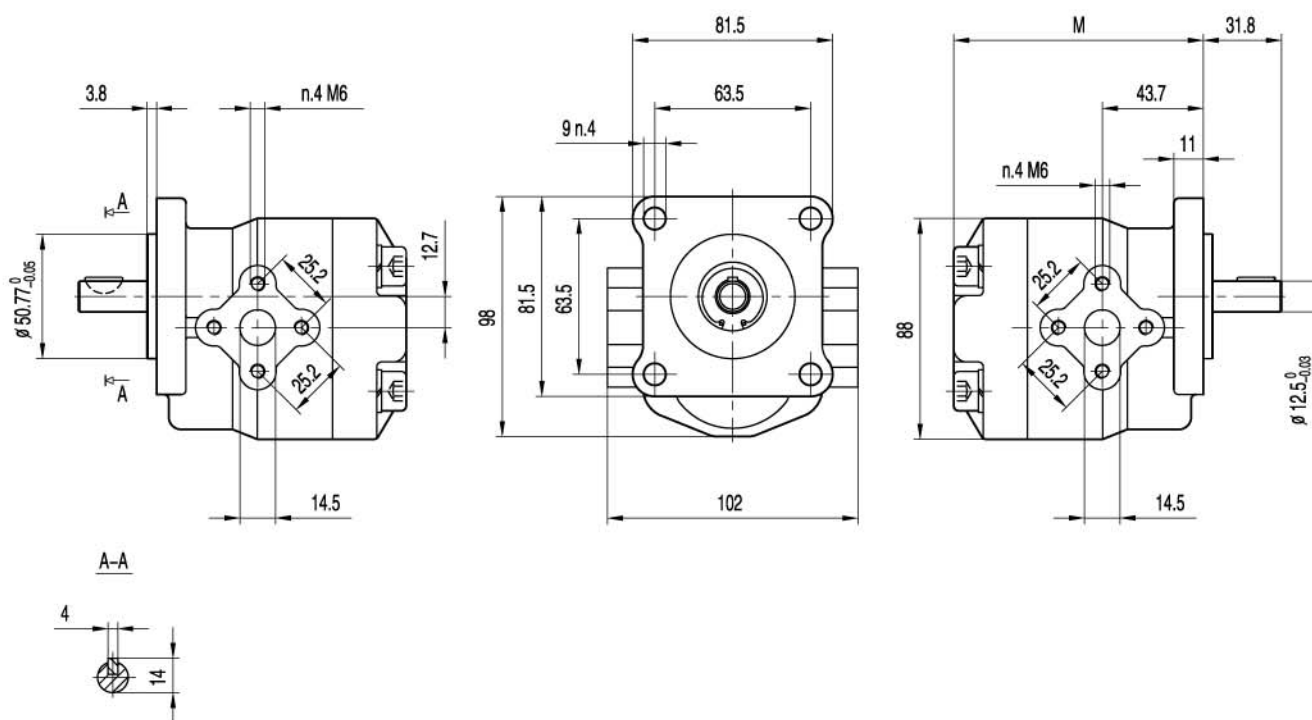


M6 螺纹深 16。  
安装泵时，n.4 M10 螺钉扭矩设定为  
47 ± 3 Nm.

M6 thread depth 16.  
To mount the pump, n.4 M10 screws,  
with a torque wrench setting fixed  
at 47 ± 3 Nm.

出油口  
OUTLET

进油口  
INLET



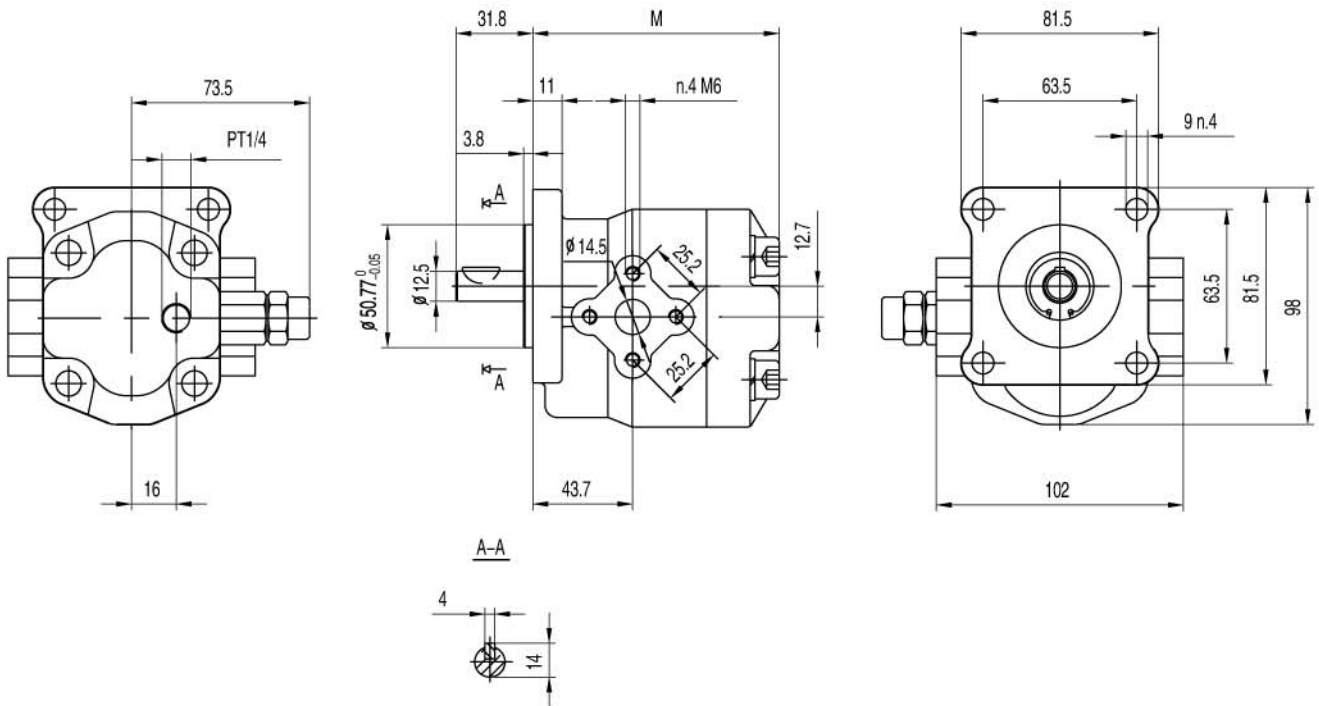
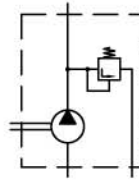
规格 Type	排量 Displacement (cm <sup>3</sup> /rev)	最大压力 Max pressure			最高转速 Max. speed (r/min)	最低转速 Min. speed (r/min)	尺寸 Dimensions M mm
		P1 bar	P2 bar	P3 bar			
BAP1.5Q0-D-2	2	210	230	250	5000	900	96.7
BAP1.5Q0-D-3	3	210	230	250	5000	850	96.7
BAP1.5Q0-D-4	4	210	230	250	4500	800	96.7
BAP1.5Q0-D-5	5	210	230	250	4000	800	96.7
BAP1.5Q0-D-6	6	210	230	250	3500	700	99.7
BAP1.5Q0-D-8	8	210	230	250	3000	600	99.7
BAP1.5Q0-D-9	9	180	200	220	2500	550	102.7
BAP1.5Q0-D-11	11	180	200	220	2000	500	105.7
BAP1.5Q0-D-12	12	180	200	220	2000	500	105.7

# BAP1.5Q0-Px



M6螺纹深 16.  
安装泵时, n.4 M10螺钉扭矩设定为  
47 ± 3 Nm.

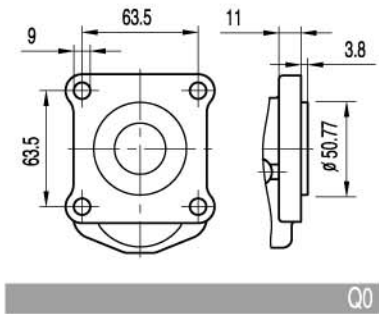
M6 thread depth 16.  
To mount the pump, n.4 M10 screws,  
with a torque wrench setting fixed  
at 47 ± 3 Nm.



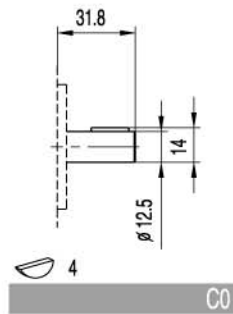
规格 Type	排量 Displacement (cm <sup>3</sup> /rev)	最大压力 Max pressure			最高转速 Max. speed (r/min)	最低转速 Min. speed (r/min)	尺寸 Dimensions M mm
		P1 bar	P2 bar	P3 bar			
BAP1.5Q0-D-2-Px	2	210	230	250	5000	900	96.7
BAP1.5Q0-D-3-Px	3	210	230	250	5000	850	96.7
BAP1.5Q0-D-4-Px	4	210	230	250	4500	800	96.7
BAP1.5Q0-D-5-Px	5	210	230	250	4000	800	96.7
BAP1.5Q0-D-6-Px	6	210	230	250	3500	700	99.7
BAP1.5Q0-D-8-Px	8	210	230	250	3000	600	99.7
BAP1.5Q0-D-9-Px	9	180	200	220	2500	550	102.7
BAP1.5Q0-D-11-Px	11	180	200	220	2000	500	105.7
BAP1.5Q0-D-12-Px	12	180	200	220	2000	500	105.7

# BAP1.5

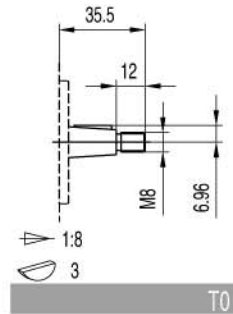
## 前盖/Front COVER



## 轴伸/SHAFTS

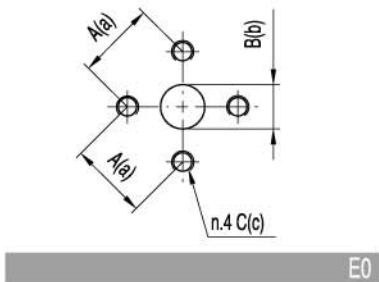


最大扭矩  
Max.Torque 60 Nm



最大扭矩  
Max.Torque 100 Nm

## 油口/PORTS



规格 TYPE	进油口 INLET			出油口 OUTLET		
	A	B	C	a	b	c
BAP1.5...2 ÷ BAP1.5...12	25.2	14.5	M6	25.2	14.5	M6

# BAP2[BHP2]

## 如何订购/ HOW TO ORDER

BA	P	2	前盖 Front cover	旋向 Rotation	规格 Size	轴伸 Shaft	油口 Ports	油口位置 Ports position	油封 Seals	可选项 Options
系列号 Series	P- 齿轮泵 Pump M- 齿轮马达 Motor	组别 Group	A0	D 顺时针转 Clockwise	3					
BA- 前、后盖 材料为铝合金 BA-Front and end cover material aluminum			B0	S 逆时针转 Counter clockwise	4					
BH- 前、后盖材料 为铸铁, 压力比“BA” 系列高 30bar。 BH-Front and end cover material cast iron, pressure than “BA”series high 30 bar.			B1	R 可正反转 Reversible	6					
			B2		8					
			Q0		10					
			Q1		12					
			Q2		14					
					16					
					18					
					20					
					22					
					25					
					28					
					30					

油口位置 /Ports position	
省略-侧进侧出	Omit-Side inlet and side outlet
B-后进前出	B-Back inlet and front outlet
C-后进侧出	C-Back inlet and side outlet
D-侧进前出	D-Side inlet and front outlet
R-后进后出	R-Back inlet and back outlet

排油管 / Drain	
Q0-内部排油 / internal drain	
Q1-外部排油 / external drain G1/4	
Q2-外部排油 / external drain 9/16-18 UNF	
Q3-外部排油 / external drain 7/16-20 UNF	
Q4-外部排油 / external drain M12x1.5	

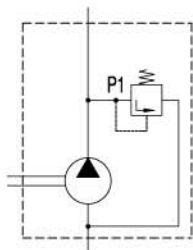
### 油封

省略-温度范围在-10℃~+80℃, 进油口最高绝对压力为3bar。  
V-适用于高温介质, 温度范围在-10℃~+120℃。  
H-适用于低温介质, 温度范围在-40℃~+80℃。  
T-适用于进油口最大绝对压力3-6bar。  
N-适用于进油口最大绝对压力3-10bar。

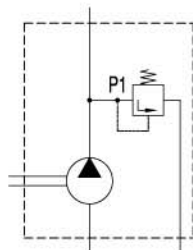
### Seals

Omit-Range between -10°C and +80°C, inlet pressure up to max. 3 bar absolute.  
V-Version suitable for fluid at hi-temperatures, range between -10°C and +120°C.  
H-Version suitable for fluid at low-temperatures, range between -40°C and +80°C.  
T-Version suitable for inlet pressure up to max. 3 and 6 bar absolute.  
N-Version suitable for inlet pressure up to max. 3 and 10 bar absolute.

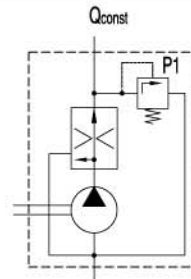
### 可选项/Options



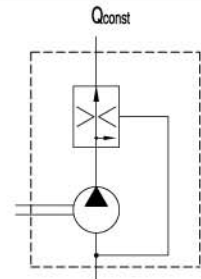
溢流阀。  
卸压流量回到吸油口。  
控制压力 P1=5...250bar。  
Pressure relief valve.  
Discharge returned to suction.  
P1= 5...250 bar.



溢流阀。  
卸压流量外泄。  
控制压力 P1=5...250bar。  
Pressure relief valve.  
Discharge returned to externally.  
P1= 5...250 bar.



三通流量阀带安全阀。  
剩余流量接泵吸油口。  
控制压力 P1=100...180bar。  
控制流量 Qconst=2...30L/min。  
3-way flow control valve  
with pressure relief valve.  
Excess flow returned to suction.  
P1= 100...180 bar.  
Qconst= 2...30 L/min.



三通流量阀。  
剩余流量接泵吸油口。  
控制流量 Qconst=2...30L/min。  
3-way flow control valve.  
Excess flow returned to suction.  
Qconst= 2...30 L/min.

### 订货号/Ordering code

Y 180xx

P 120xx

F 15015

Q xxx15

### 范例/ Examples:

BHP2-B0-D-3-T0-E0 = 顺时针转, 排量 3 cc/rev, B0 前盖, T0 1:8锥形轴伸, E0 安装油口, 标准油封  
clockwise rotation, 3 cc/rev, B0 front cover, 1:8 tapered shaft(T0), setting ports E0 type, standard seals  
BAP2-A0-D-3-C0-U0 = 顺时针转, 排量 3 cc/rev, A0 前盖, C0 圆柱轴伸, U0 安装油口, 标准油封  
clockwise rotation, 3 cc/rev, A0 front cover, C0 parallel shaft, setting ports U0 type, standard seals  
BHP2-Q0-D-3-T1-F0-N= 顺时针转, 排量 3 cc/rev, Q0 前盖, T0 1:8锥形轴伸, F0 安装油口, 高压油封(N)  
clockwise rotation, 3 cc/rev, Q0 front cover, 1:8 tapered shaft(T0), setting ports F0 type, high pressure seals(N)

# BHP2B0

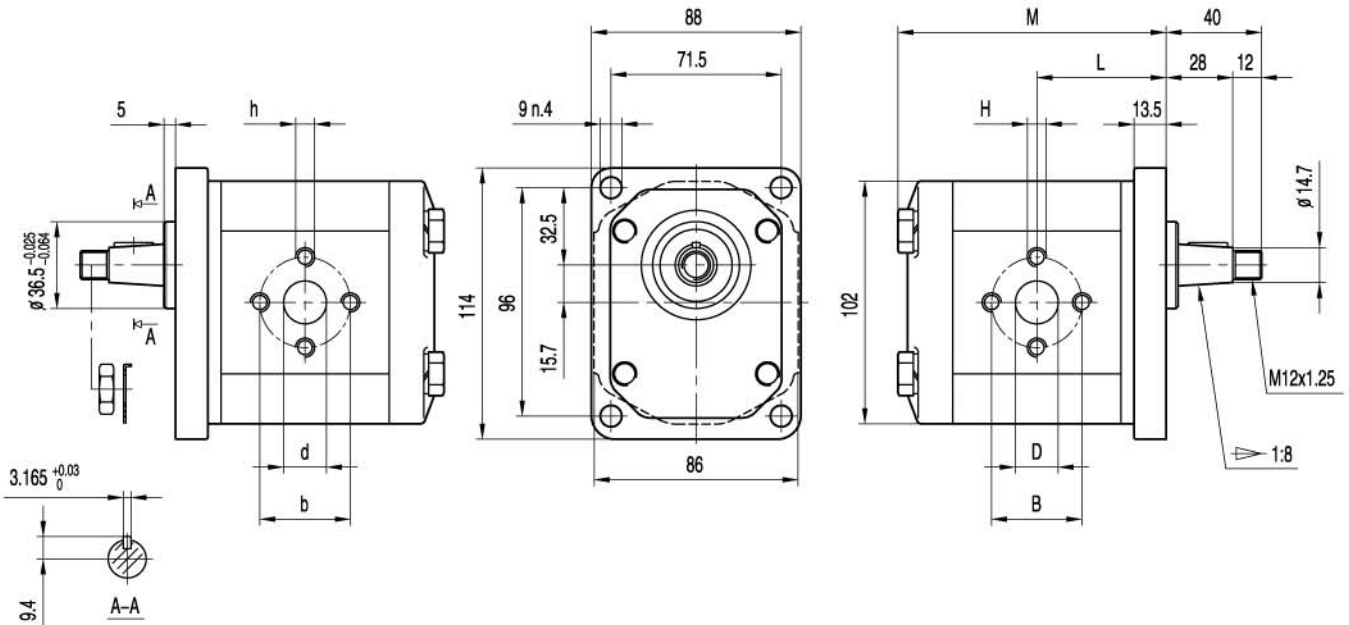


M6 螺纹深 13, M8 螺纹深 17.  
安装泵时, n.4 M10 螺钉扭矩设定为  
70...75 Nm.  
轴伸 M12x1.25 螺母扭矩设定为 50 Nm.

M6 thread depth 13, M8 thread depth 17.  
To mount the pump, n.4 M10 screws,  
with a torque wrench setting fixed  
at 70...75 Nm.  
Shaft M12x1.25 nut, with a torque  
wrench setting fixed at 50 Nm.

出油口  
OUTLET

进油口  
INLET



规格 Type	排量 Displacement (cm <sup>3</sup> /rev)	最大压力 Max pressure			最高转速 Max. speed (r/min)	最低转速 Min. speed (r/min)	尺寸 Dimensions							
		P1 bar	P2 bar	P3 bar			M mm	L mm	B mm	D mm	H mm	b mm	d mm	h mm
BHP2B0-D-3	3	270	285	300	4000	800	91.1	43.6	30	13	M6	30	13	M6
BHP2B0-D-4	4	270	285	300	4000	600	92.7	44.4	30	13	M6	30	13	M6
BHP2B0-D-6	6	270	285	300	4000	600	96	46	30	13	M6	30	13	M6
BHP2B0-D-8	8	270	285	300	3500	500	99.3	47.7	30	13	M6	30	13	M6
BHP2B0-D-10	10	270	285	300	3000	500	102.6	49.3	40	20	M8	30	13	M6
BHP2B0-D-12	12	270	285	300	3000	500	105.9	51	40	20	M8	30	13	M6
BHP2B0-D-14	14	250	265	280	4000	500	109.3	52.7	40	20	M8	30	13	M6
BHP2B0-D-16	16	250	265	280	4000	500	112.7	54.4	40	20	M8	30	13	M6
BHP2B0-D-18	18	250	265	280	3600	400	116	56	40	20	M8	30	13	M6
BHP2B0-D-20	20	220	235	250	3200	400	119.3	57.7	40	20	M8	30	13	M6
BHP2B0-D-22	22	220	235	250	3000	400	122.6	59.3	40	20	M8	30	13	M6
BHP2B0-D-25	25	200	215	230	3000	400	127.6	61.8	40	22	M8	30	13	M6
BHP2B0-D-28	28	180	190	200	2500	400	132.6	64.3	40	22	M8	30	13	M6
BHP2B0-D-30	30	160	170	180	2500	400	135.9	66	40	22	M8	30	13	M6



# BHP2B1

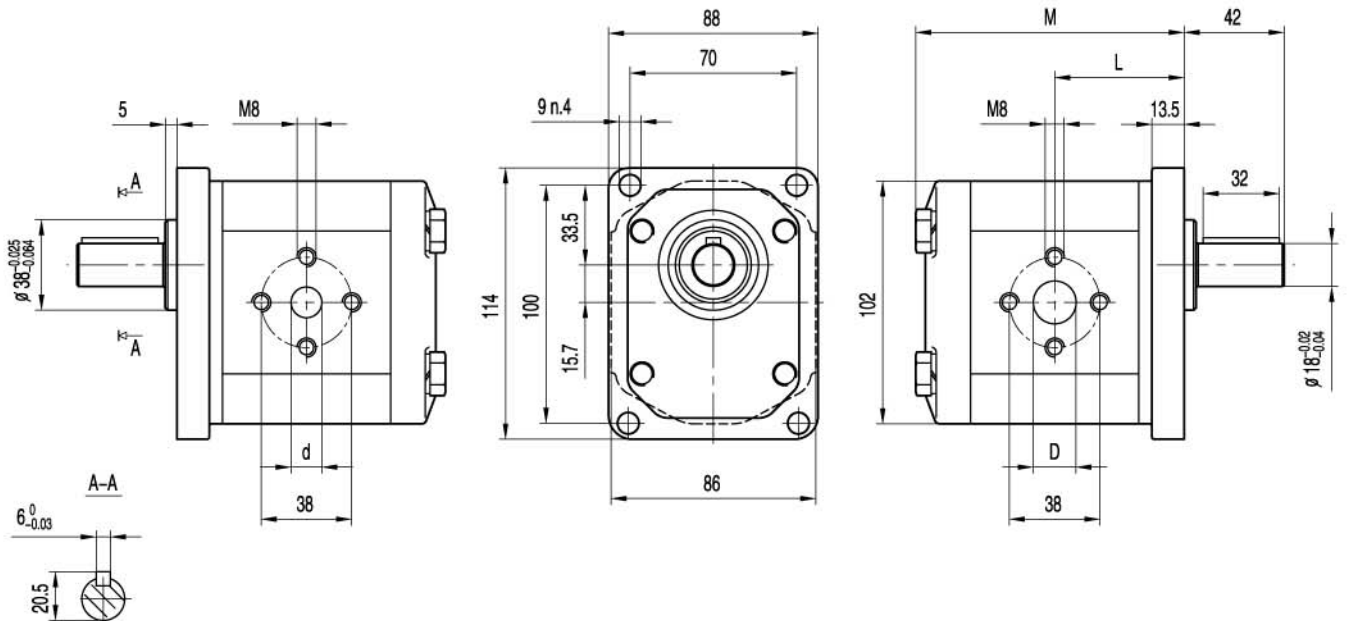


M8 螺纹深 16.  
安装泵时, n.4 M10 螺钉扭矩设定为  
70...75 Nm.

M8 thread depth 16.  
To mount the pump, n.4 M10 screws,  
with a torque wrench setting fixed  
at 70...75 Nm.

出口  
OUTLET

进油口  
INLET



规格 Type	排量 Displacement (cm <sup>3</sup> /rev)	最大压力 Max pressure			最高转速 Max. speed (r/min)	最低转速 Min. speed (r/min)	尺寸 Dimensions			
		P1 bar	P2 bar	P3 bar			M mm	L mm	D mm	d mm
BHP2B1-D-3	3	270	285	300	4000	800	91.1	43.6	14	10
BHP2B1-D-4	4	270	285	300	4000	600	92.7	44.4	14	10
BHP2B1-D-6	6	270	285	300	4000	600	96	46	14	10
BHP2B1-D-8	8	270	285	300	3500	500	99.3	47.7	14	10
BHP2B1-D-10	10	270	285	300	3000	500	102.6	49.3	18	15
BHP2B1-D-12	12	270	285	300	3000	500	105.9	51	18	15
BHP2B1-D-14	14	250	265	280	4000	500	109.3	52.7	18	15
BHP2B1-D-16	16	250	265	280	4000	500	112.7	54.4	18	15
BHP2B1-D-18	18	250	265	280	3600	400	116	56	18	15
BHP2B1-D-20	20	220	235	250	3200	400	119.3	57.7	18	15
BHP2B1-D-22	22	220	235	250	3000	400	122.6	59.3	18	15
BHP2B1-D-25	25	200	215	230	3000	400	127.6	61.8	20	15
BHP2B1-D-28	28	180	190	200	2500	400	132.6	64.3	20	15
BHP2B1-D-30	30	160	170	180	2500	400	135.9	66	20	15

# BHP2B2

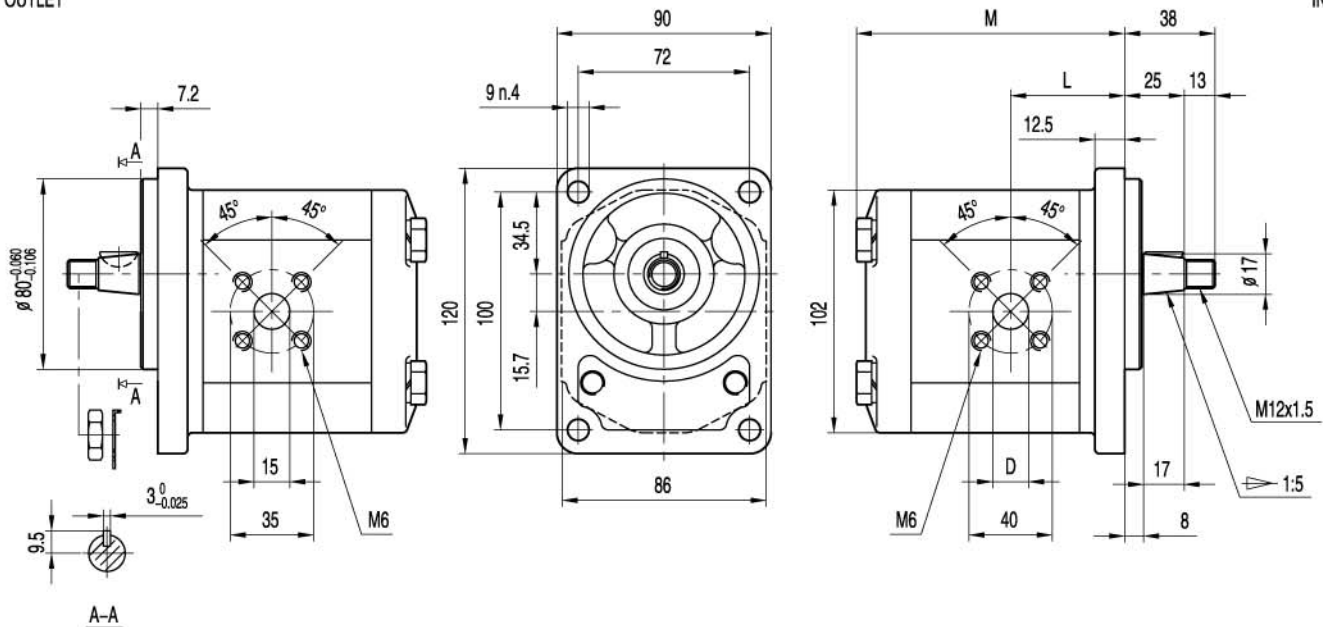


M6 螺纹深 13.  
安装泵时, n.4 M10 螺钉扭矩设定为  
70...75 Nm.  
轴伸 M12x1.5 螺母扭矩设定为 50 Nm.

M6 thread depth 13.  
To mount the pump, n.4 M10 screws,  
with a torque wrench setting fixed  
at 70...75 Nm.  
Shaft M12x1.5 nut, with a torque  
wrench setting fixed at 50 Nm.

出油口  
OUTLET

进油口  
INLET



规格 Type	排量 Displacement (cm <sup>3</sup> /rev)	最大压力 Max pressure			最高转速 Max. speed (r/min)	最低转速 Min. speed (r/min)	尺寸 Dimensions		
		P1 bar	P2 bar	P3 bar			M mm	L mm	D mm
BHP2B2-D-3	3	270	285	300	4000	800	91.1	39.9	15
BHP2B2-D-4	4	270	285	300	4000	600	92.7	39.9	15
BHP2B2-D-6	6	270	285	300	4000	600	96	41.1	15
BHP2B2-D-8	8	270	285	300	3500	500	99.3	43.2	15
BHP2B2-D-10	10	270	285	300	3000	500	102.6	43.7	20
BHP2B2-D-12	12	270	285	300	3000	500	105.9	47.5	20
BHP2B2-D-14	14	250	265	280	4000	500	109.3	47.5	20
BHP2B2-D-16	16	250	265	280	4000	500	112.7	47.5	20
BHP2B2-D-18	18	250	265	280	3600	400	116	47.5	20
BHP2B2-D-20	20	220	235	250	3200	400	119.3	47.5	20
BHP2B2-D-22	22	220	235	250	3000	400	122.6	55.1	20
BHP2B2-D-25	25	200	215	230	3000	400	127.6	61.8	20
BHP2B2-D-28	28	180	190	200	2500	400	132.6	64.3	20
BHP2B2-D-30	30	160	170	180	2500	400	135.9	66	20

# BHP2A0[BAP2A0]



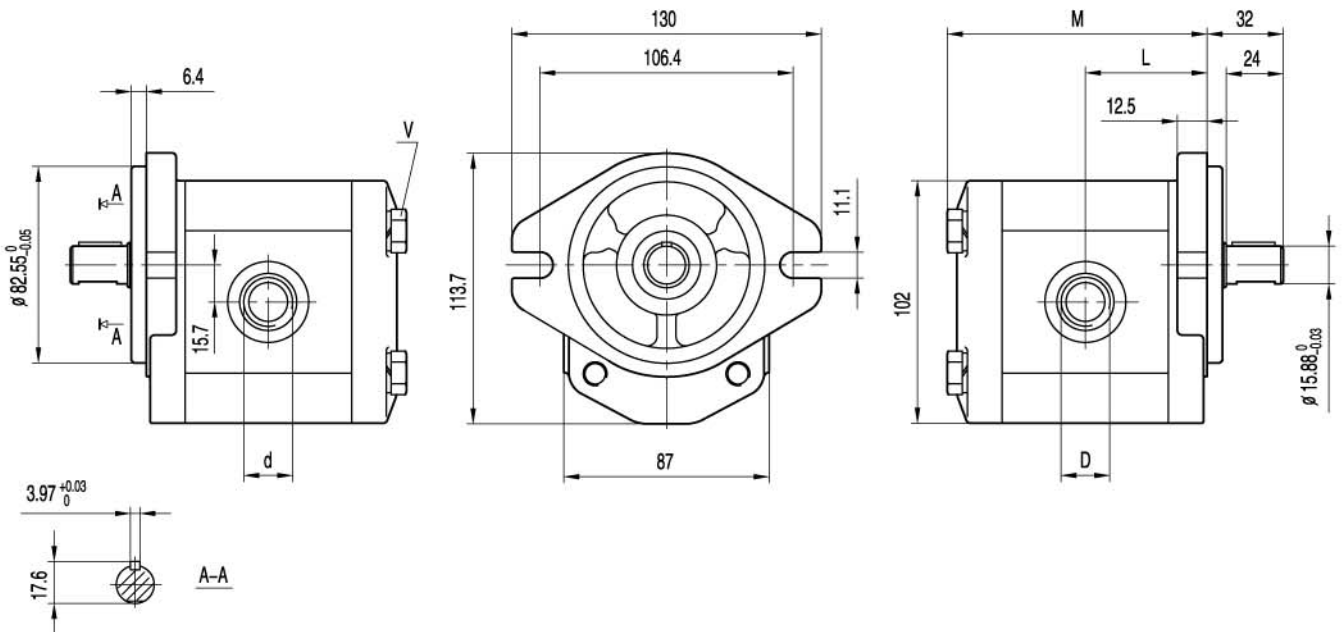
"D"和"d"油口有螺纹加工, 用O形圈密封, 旁侧削平的SAE J1926/1 (ISO J1926-1)。

"D" and "d" ports are machined in compliance with threaded port with O-ring seal in truncated housing SAE J1926/1 (ISO J1926-1).

安装法兰材料	V
Mounting flange material	Screws tightening torque Nm
Aluminum	40...45
Cast iron	70...75

出油口  
OUTLET

进油口  
INLET



规格 Type	排量 Displacement (cm <sup>3</sup> /rev)	最大压力 Max pressure			最高转速 Max. speed (r/min)	最低转速 Min. speed (r/min)	尺寸 Dimensions			
		P1 bar	P2 bar	P3 bar			M mm	L mm	D	d
BHP2A0-D-3	3	270	285	300	4000	800	91.1	43.6	1 1/16-12UNF	7/8-14UNF
BHP2A0-D-4	4	270	285	300	4000	600	92.7	44.4	1 1/16-12UNF	7/8-14UNF
BHP2A0-D-6	6	270	285	300	4000	600	96	46	1 1/16-12UNF	7/8-14UNF
BHP2A0-D-8	8	270	285	300	3500	500	99.3	47.7	1 1/16-12UNF	7/8-14UNF
BHP2A0-D-10	10	270	285	300	3000	500	102.6	49.3	1 1/16-12UNF	7/8-14UNF
BHP2A0-D-12	12	270	285	300	3000	500	105.9	51	1 1/16-12UNF	7/8-14UNF
BHP2A0-D-14	14	250	265	280	4000	500	109.3	52.7	1 1/16-12UNF	7/8-14UNF
BHP2A0-D-16	16	250	265	280	4000	500	112.7	54.4	1 1/16-12UNF	7/8-14UNF
BHP2A0-D-18	18	250	265	280	3600	400	116	56	1 1/16-12UNF	7/8-14UNF
BHP2A0-D-20	20	220	235	250	3200	400	119.3	57.7	1 1/16-12UNF	7/8-14UNF
BHP2A0-D-22	22	220	235	250	3000	400	122.6	59.3	1 1/16-12UNF	7/8-14UNF
BHP2A0-D-25	25	200	215	230	3000	400	127.6	61.8	1 1/16-12UNF	7/8-14UNF
BHP2A0-D-28	28	180	190	200	2500	400	132.6	64.3	1 1/16-12UNF	7/8-14UNF
BHP2A0-D-30	30	160	170	180	2500	400	135.9	66	1 5/16-12UNF	7/8-14UNF

# BHP2Q0

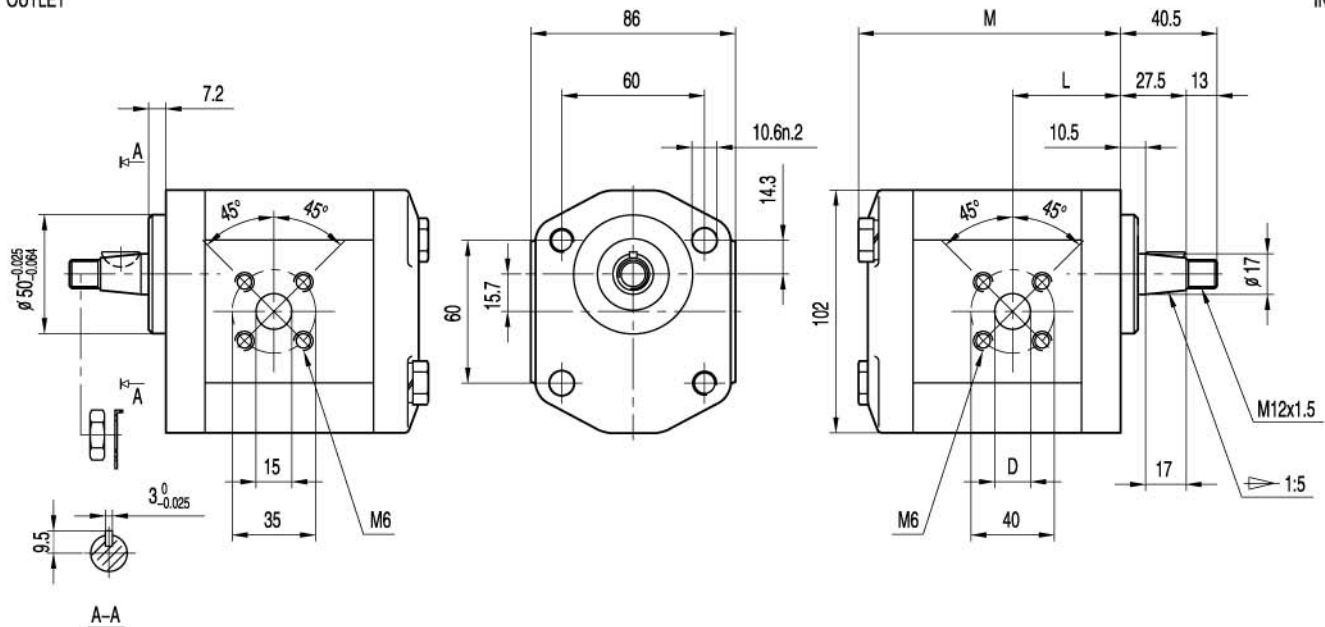


M6 螺纹深 13.  
安装泵时, n.2 M10 螺钉扭矩设定为  
45...50 Nm.  
轴伸 M12x1.5 螺母扭矩设定为 50 Nm.

M6 thread depth 13.  
To mount the pump, n.2 M10 screws,  
with a torque wrench setting fixed  
at 45...50 Nm.  
Shaft M12x1.5 nut, with a torque  
wrench setting fixed at 50 Nm.

出油口  
OUTLET

进油口  
INLET



规格 Type	排量 Displacement (cm <sup>3</sup> /rev)	最大压力 Max pressure			最高转速 Max. speed (r/min)	最低转速 Min. speed (r/min)	尺寸 Dimensions		
		P1 bar	P2 bar	P3 bar			M mm	L mm	D mm
BHP2Q0-D-3	3	270	285	300	4000	800	88.6	37.4	15
BHP2Q0-D-4	4	270	285	300	4000	600	90.2	37.4	15
BHP2Q0-D-6	6	270	285	300	4000	600	93.5	38.6	15
BHP2Q0-D-8	8	270	285	300	3500	500	96.8	40.7	15
BHP2Q0-D-10	10	270	285	300	3000	500	100.1	41.2	20
BHP2Q0-D-12	12	270	285	300	3000	500	103.4	45	20
BHP2Q0-D-14	14	250	265	280	4000	500	106.8	45	20
BHP2Q0-D-16	16	250	265	280	4000	500	110.2	45	20
BHP2Q0-D-18	18	250	265	280	3600	400	113.5	45	20
BHP2Q0-D-20	20	220	235	250	3200	400	116.8	45	20
BHP2Q0-D-22	22	220	235	250	3000	400	120.1	52.6	20
BHP2Q0-D-25	25	200	215	230	3000	400	125.1	59.3	20
BHP2Q0-D-28	28	180	190	200	2500	400	130.1	61.8	20
BHP2Q0-D-30	30	160	170	180	2500	400	133.4	63.5	20

# BHP2Q1

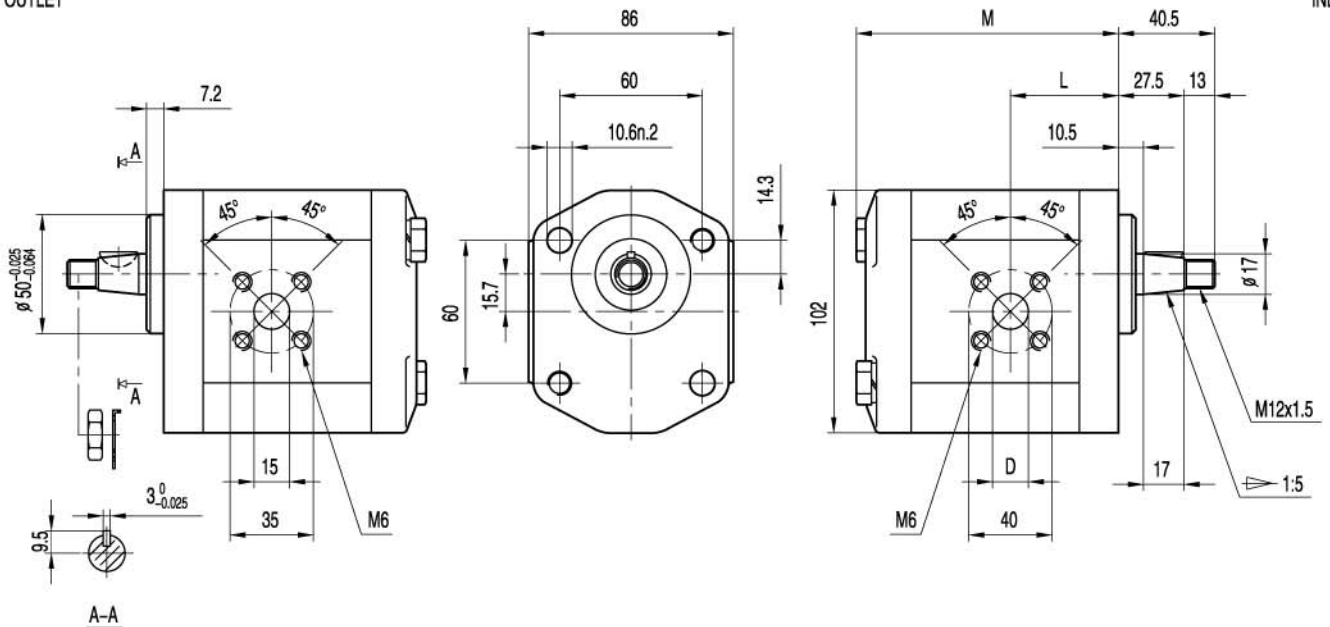


M6 螺纹深 13.  
安装泵时, n.2 M10 螺钉扭矩设定为 45...50 Nm.  
轴伸 M12x1.5 螺母扭矩设定为 50 Nm.

M6 thread depth 13.  
To mount the pump, n.2 M10 screws, with a torque wrench setting fixed at 45...50 Nm.  
Shaft M12x1.5 nut, with a torque wrench setting fixed at 50 Nm.

出口  
OUTLET

进油口  
INLET



规格 Type	排量 Displacement (cm <sup>3</sup> /rev)	最大压力 Max pressure			最高转速 Max. speed (r/min)	最低转速 Min. speed (r/min)	尺寸 Dimensions		
		P1 bar	P2 bar	P3 bar			M mm	L mm	D mm
BHP2Q1-D-3	3	270	285	300	4000	800	88.6	37.4	15
BHP2Q1-D-4	4	270	285	300	4000	600	90.2	37.4	15
BHP2Q1-D-6	6	270	285	300	4000	600	93.5	38.6	15
BHP2Q1-D-8	8	270	285	300	3500	500	96.8	40.7	15
BHP2Q1-D-10	10	270	285	300	3000	500	100.1	41.2	20
BHP2Q1-D-12	12	270	285	300	3000	500	103.4	45	20
BHP2Q1-D-14	14	250	265	280	4000	500	106.8	45	20
BHP2Q1-D-16	16	250	265	280	4000	500	110.2	45	20
BHP2Q1-D-18	18	250	265	280	3600	400	113.5	45	20
BHP2Q1-D-20	20	220	235	250	3200	400	116.8	45	20
BHP2Q1-D-22	22	220	235	250	3000	400	120.1	52.6	20
BHP2Q1-D-25	25	200	215	230	3000	400	125.1	59.3	20
BHP2Q1-D-28	28	180	190	200	2500	400	130.1	61.8	20
BHP2Q1-D-30	30	160	170	180	2500	400	133.4	63.5	20

# BHP2Q2

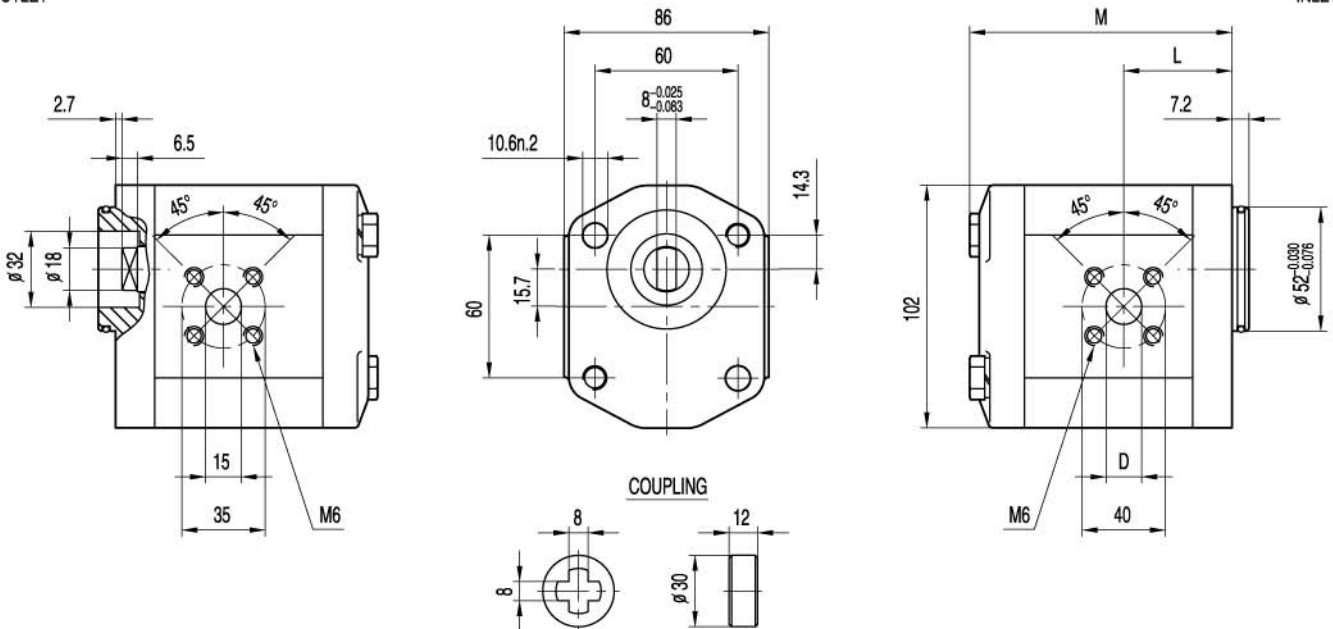


M6 螺纹深 13.  
安装泵时, n.2 M10 螺钉扭矩设定为  
45...50 Nm.  
联接套最大扭矩为 70 Nm.

M6 thread depth 13.  
To mount the pump, n.2 M10 screws,  
with a torque wrench setting fixed  
at 45...50 Nm.  
Shaft M12x1.5 nut, with a torque  
Coupling Max. torque 70 Nm.

出油口  
OUTLET

进油口  
INLET



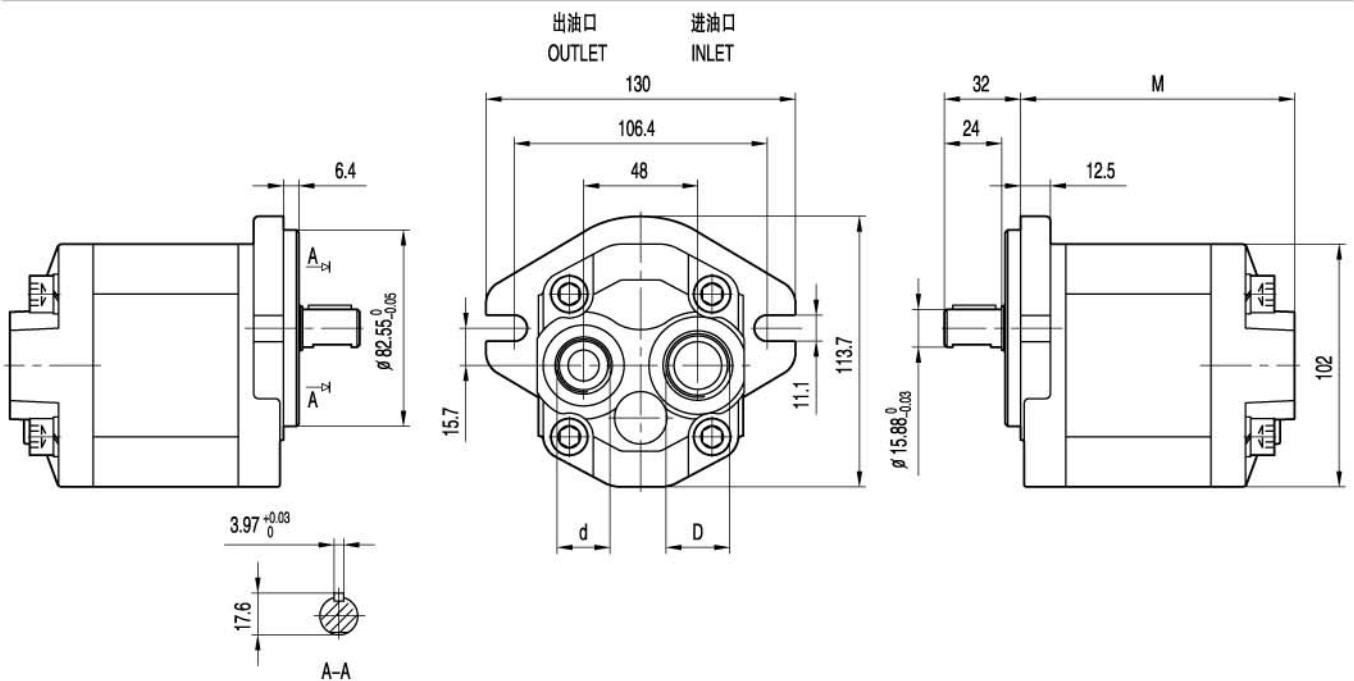
规格 Type	排量 Displacement (cm <sup>3</sup> /rev)	最大压力 Max pressure			最高转速 Max. speed (r/min)	最低转速 Min. speed (r/min)	尺寸 Dimensions		
		P1 bar	P2 bar	P3 bar			M mm	L mm	D mm
BHP2Q2-D-3	3	270	285	300	4000	800	88.6	37.4	15
BHP2Q2-D-4	4	270	285	300	4000	600	90.2	37.4	15
BHP2Q2-D-6	6	270	285	300	4000	600	93.5	38.6	15
BHP2Q2-D-8	8	270	285	300	3500	500	96.8	40.7	15
BHP2Q2-D-10	10	270	285	300	3000	500	100.1	41.2	20
BHP2Q2-D-12	12	270	285	300	3000	500	103.4	45	20
BHP2Q2-D-14	14	250	265	280	4000	500	106.8	45	20
BHP2Q2-D-16	16	250	265	280	4000	500	110.2	45	20
BHP2Q2-D-18	18	250	265	280	3600	400	113.5	45	20
BHP2Q2-D-20	20	220	235	250	3200	400	116.8	45	20
BHP2Q2-D-22	22	220	235	250	3000	400	120.1	52.6	20
BHP2Q2-D-25	25	200	215	230	3000	400	125.1	59.3	20
BHP2Q2-D-28	28	180	190	200	2500	400	130.1	61.8	20
BHP2Q2-D-30	30	160	170	180	2500	400	133.4	63.5	20

# BHP2A0-R



"D"和"d"油口有螺纹加工, 用O形圈密封, 旁侧削平的SAE J1926/1 (ISO J1926-1)。  
安装泵时, n.4 M10 螺钉扭矩设定为 70...75 Nm.

"D" and "d" ports are machined in compliance with threaded port with O-ring seal in truncated housing SAE J1926/1 (ISO J1926-1).  
To mount the pump, n.4 M10 screws, with a torque wrench setting fixed at 70...75 Nm.



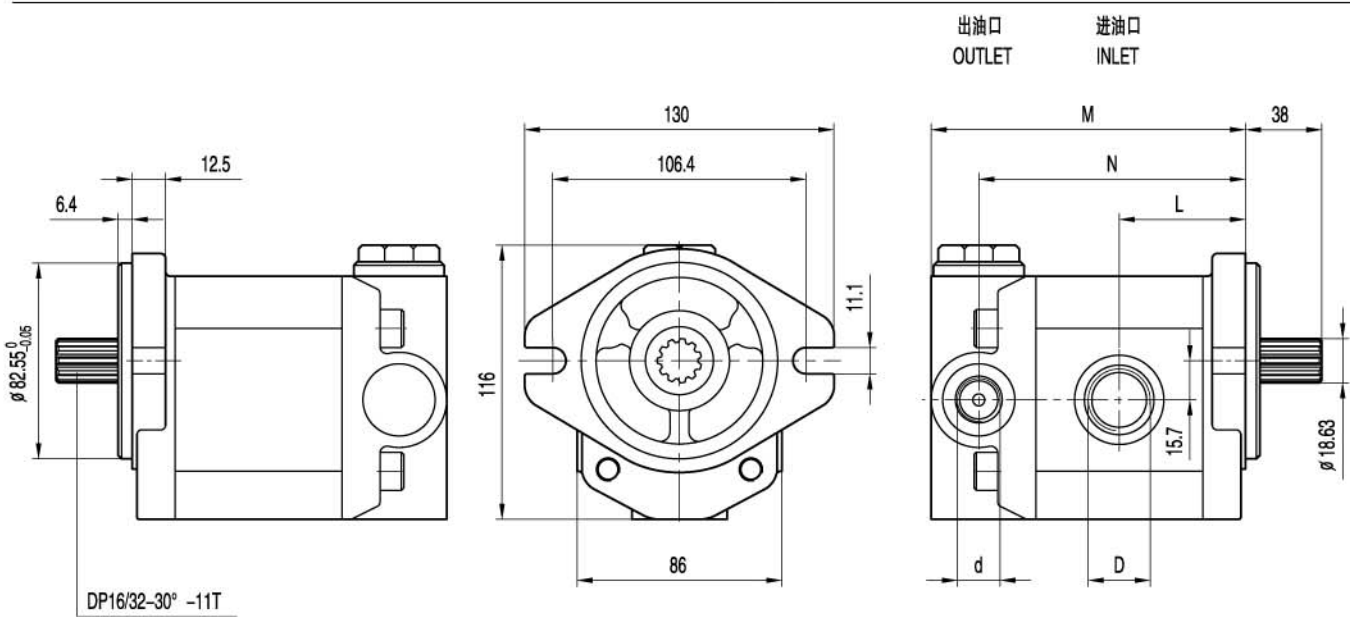
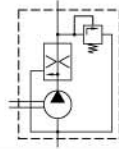
规格 Type	排量 Displacement (cm <sup>3</sup> /rev)	最大压力 Max pressure			最高转速 Max. speed (r/min)	最低转速 Min. speed (r/min)	尺寸 Dimensions		
		P1 bar	P2 bar	P3 bar			M mm	D	d
BHP2A0-D-3-R	3	270	285	300	4000	800	103.1	1 1/16-12UNF	7/8-14UNF
BHP2A0-D-4-R	4	270	285	300	4000	600	104.7	1 1/16-12UNF	7/8-14UNF
BHP2A0-D-6-R	6	270	285	300	4000	600	108	1 1/16-12UNF	7/8-14UNF
BHP2A0-D-8-R	8	270	285	300	3500	500	111.3	1 1/16-12UNF	7/8-14UNF
BHP2A0-D-10-R	10	270	285	300	3000	500	114.6	1 1/16-12UNF	7/8-14UNF
BHP2A0-D-12-R	12	270	285	300	3000	500	117.9	1 1/16-12UNF	7/8-14UNF
BHP2A0-D-14-R	14	250	265	280	4000	500	121.3	1 1/16-12UNF	7/8-14UNF
BHP2A0-D-16-R	16	250	265	280	4000	500	124.7	1 1/16-12UNF	7/8-14UNF
BHP2A0-D-18-R	18	250	265	280	3600	400	128	1 1/16-12UNF	7/8-14UNF
BHP2A0-D-20-R	20	220	235	250	3200	400	131.3	1 1/16-12UNF	7/8-14UNF
BHP2A0-D-22-R	22	220	235	250	3000	400	134.6	1 1/16-12UNF	7/8-14UNF
BHP2A0-D-25-R	25	200	215	230	3000	400	139.6	1 1/16-12UNF	7/8-14UNF
BHP2A0-D-28-R	28	180	190	200	2500	400	144.6	1 1/16-12UNF	7/8-14UNF
BHP2A0-D-30-R	30	160	170	180	2500	400	147.9	1 1/16-12UNF	7/8-14UNF

# BHP2A0-Fx



"D"和"d"油口有螺纹加工, 用O形圈密封, 旁侧削平的SAE J1926/1 (ISO J1926-1)。  
安装泵时, n.4 M10 螺钉扭矩设定为 70...75 Nm.

"D" and "d" ports are machined in compliance with threaded port with O-ring seal in truncated housing SAE J1926/1 (ISO J1926-1).  
To mount the pump, n.4 M10 screws, with a torque wrench setting fixed at 70...75 Nm.



规格 Type	排量 Displacement (cm <sup>3</sup> /rev)	控制压力 Control pressure P1 bar	控制流量 Control flow Q <sub>const</sub> L/min	最高转速 Max. speed (r/min)	最低转速 Min. speed (r/min)	尺寸 Dimensions				
						M mm	L mm	N mm	D mm	d mm
BHP2A0-D-3-Fx	3	100...180	2...30	4000	800	112.1	43.6	92.1	1 1/16-12UNF	7/8-14UNF
BHP2A0-D-4-Fx	4			4000	600	113.7	44.4	93.7	1 1/16-12UNF	7/8-14UNF
BHP2A0-D-6-Fx	6			4000	600	117	46	97	1 1/16-12UNF	7/8-14UNF
BHP2A0-D-8-Fx	8			3500	500	120.3	47.7	100.3	1 1/16-12UNF	7/8-14UNF
BHP2A0-D-10-Fx	10			3000	500	123.6	49.3	103.6	1 1/16-12UNF	7/8-14UNF
BHP2A0-D-12-Fx	12			3000	500	126.9	51	106.9	1 1/16-12UNF	7/8-14UNF
BHP2A0-D-14-Fx	14			4000	500	130.3	52.7	110.3	1 1/16-12UNF	7/8-14UNF
BHP2A0-D-16-Fx	16			4000	500	133.7	54.4	113.7	1 1/16-12UNF	7/8-14UNF
BHP2A0-D-18-Fx	18			3600	400	137	56	117	1 1/16-12UNF	7/8-14UNF
BHP2A0-D-20-Fx	20			3200	400	140.3	57.7	120.3	1 1/16-12UNF	7/8-14UNF
BHP2A0-D-22-Fx	22			3000	400	143.6	59.3	123.6	1 1/16-12UNF	7/8-14UNF
BHP2A0-D-25-Fx	25			3000	400	148.6	61.8	128.6	1 1/16-12UNF	7/8-14UNF
BHP2A0-D-28-Fx	28			2500	400	153.6	64.3	133.6	1 1/16-12UNF	7/8-14UNF
BHP2A0-D-30-Fx	30			2500	400	156.9	66	136.9	1 1/16-12UNF	7/8-14UNF

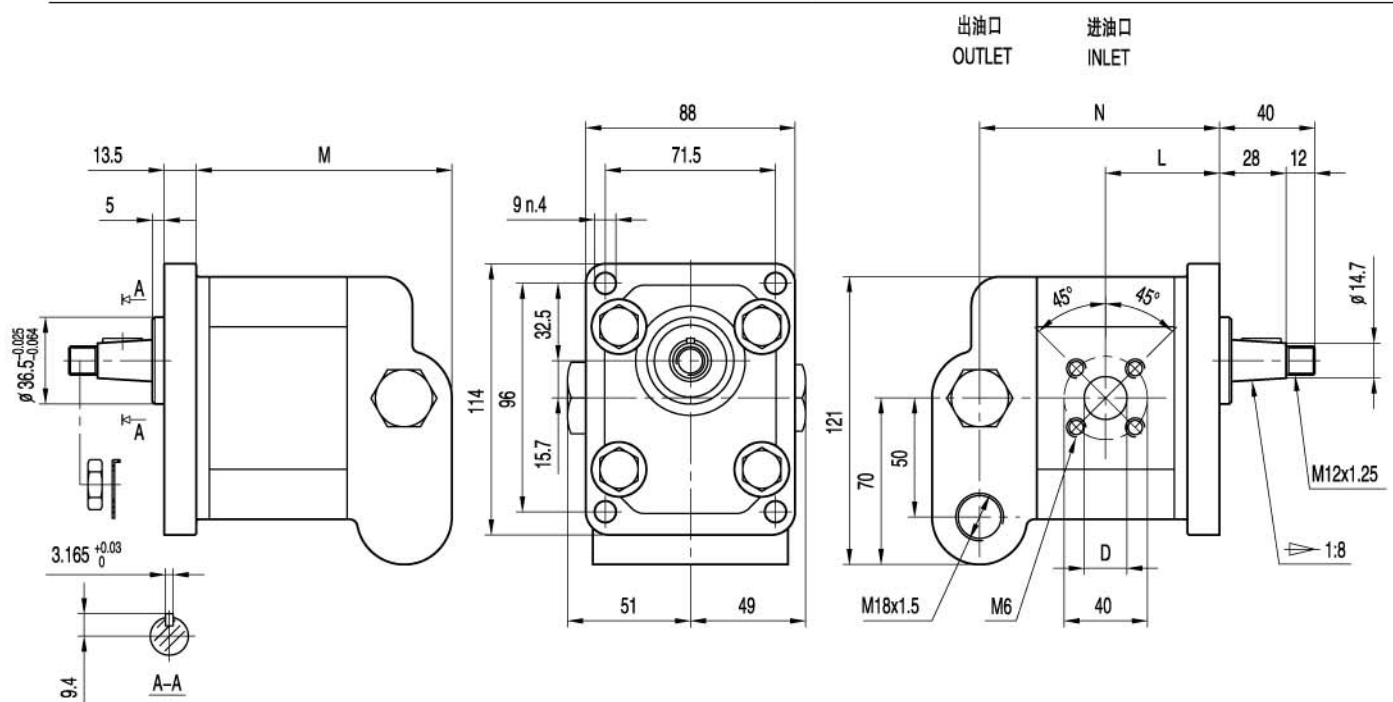
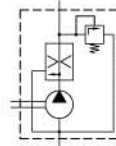


# BHP2B0-FAx



M6 螺纹深 13, M18x1.5 螺纹深 14.  
安装泵时, n.4 M10 螺钉扭矩设定为  
70...75 Nm.  
轴伸 M12x1.25 螺母扭矩设定为 50 Nm.

M6 thread depth 13, M18x1.5 thread depth 14.  
To mount the pump, n.4 M10 screws,  
with a torque wrench setting fixed  
at 70...75 Nm.  
Shaft M12x1.25 nut, with a torque  
wrench setting fixed at 50 Nm.



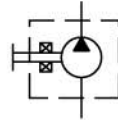
规格 Type	排量 Displacement (cm <sup>3</sup> /rev)	控制压力 Control pressure P1 bar	控制流量 Control flow Q <sub>const</sub> L/min	最高转速 Max. speed (r/min)	最低转速 Min. speed (r/min)	尺寸 Dimensions			
						M mm	L mm	N mm	D mm
BHP2B0-D-3-FAx	3	100...180	2...30	4000	800	112.1	43.6	96.1	15
BHP2B0-D-4-FAx	4			4000	600	113.7	44.4	97.7	15
BHP2B0-D-6-FAx	6			4000	600	117	46	101	15
BHP2B0-D-8-FAx	8			3500	500	120.3	47.7	104.3	15
BHP2B0-D-10-FAx	10			3000	500	123.6	49.3	107.6	20
BHP2B0-D-12-FAx	12			3000	500	126.9	51	110.9	20
BHP2B0-D-14-FAx	14			4000	500	130.3	52.7	114.3	20
BHP2B0-D-16-FAx	16			4000	500	133.7	54.4	117.7	20
BHP2B0-D-18-FAx	18			3600	400	137	56	121	20
BHP2B0-D-20-FAx	20			3200	400	140.3	57.7	124.3	20
BHP2B0-D-22-FAx	22			3000	400	143.6	59.3	127.6	20
BHP2B0-D-25-FAx	25			3000	400	148.6	61.8	132.6	20
BHP2B0-D-28-FAx	28			2500	400	153.6	64.3	137.6	20
BHP2B0-D-30-FAx	30			2500	400	156.9	66	140.9	20

# BAP2B3



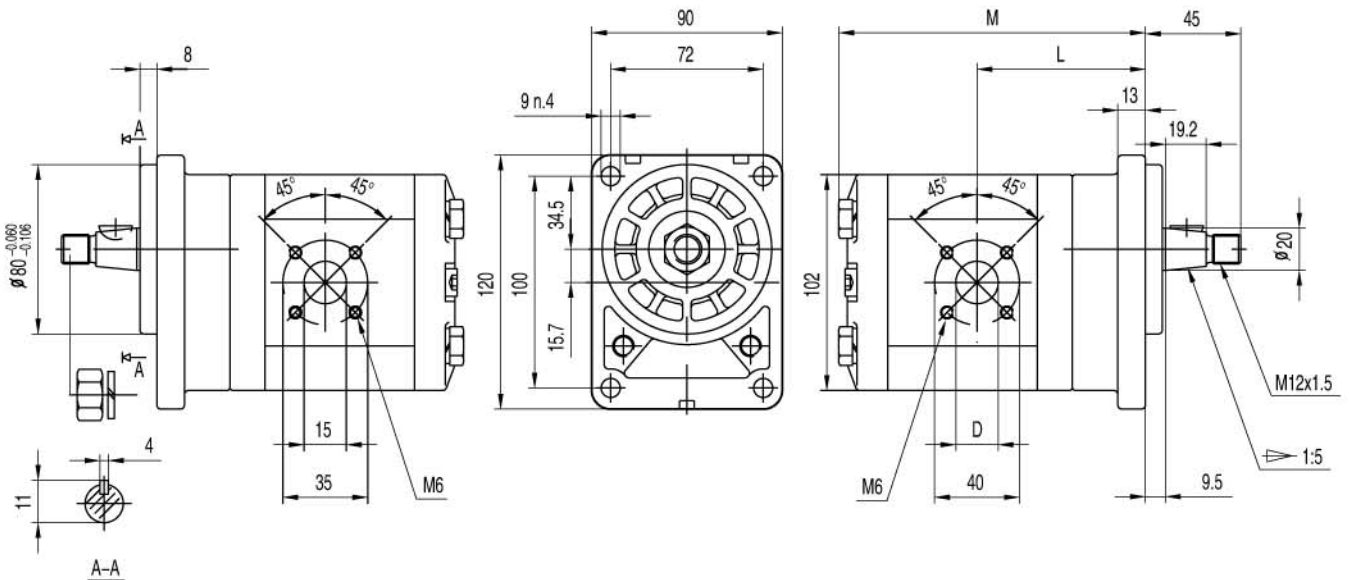
带轴承式泵, 能承受  
径向和轴向载荷。  
M6螺纹深13。  
安装泵时, n.4 M10螺钉扭矩设定为  
70...75 Nm。  
轴伸M14x1.5螺母扭矩设定为 70 Nm。

Pump with bearing. This option allows  
radial and/or axial loads on the pump shaft.  
M6 thread depth 13.  
To mount the pump, n.4 M10 screws,  
with a torque wrench setting fixed  
at 70...75 Nm.  
Shaft M14x1.5 nut, with a torque  
wrench setting fixed at 70 Nm.



出油口  
OUTLET

进油口  
INLET



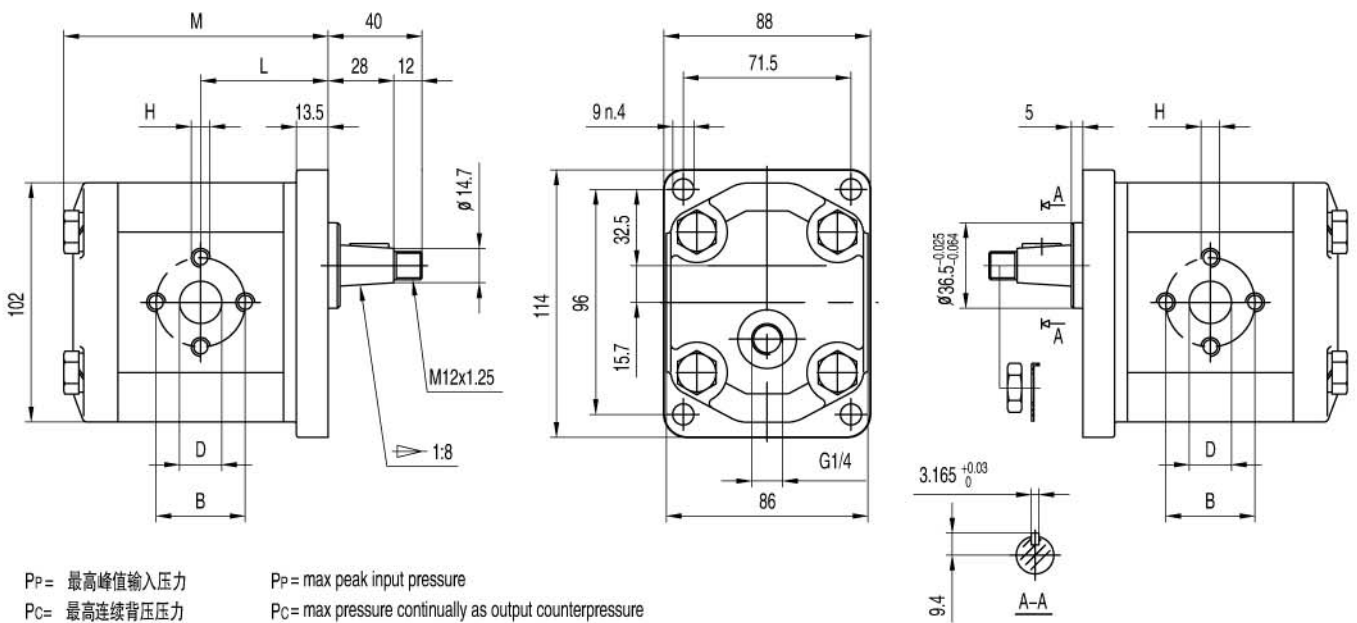
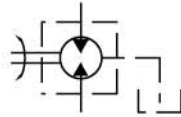
规格 Type	排量 Displacement (cm <sup>3</sup> /rev)	最大压力 Max pressure			最高转速 Max. speed (r/min)	最低转速 Min. speed (r/min)	尺寸 Dimensions		
		P1 bar	P2 bar	P3 bar			M mm	L mm	D mm
BHP2B3-D-3	3	270	285	300	4000	800	123.1	71.9	15
BHP2B3-D-4	4	270	285	300	4000	600	124.7	71.9	15
BHP2B3-D-6	6	270	285	300	4000	600	128.0	73.1	15
BHP2B3-D-8	8	270	285	300	3500	500	131.3	75.2	15
BHP2B3-D-10	10	270	285	300	3000	500	134.6	75.7	20
BHP2B3-D-12	12	270	285	300	3000	500	137.9	79.5	20
BHP2B3-D-14	14	250	265	280	4000	500	141.3	79.5	20
BHP2B3-D-16	16	250	265	280	4000	500	144.7	79.5	20
BHP2B3-D-18	18	250	265	280	3600	400	148.0	79.5	20
BHP2B3-D-20	20	220	235	250	3200	400	151.3	79.5	20
BHP2B3-D-22	22	220	235	250	3000	400	154.6	87.1	20
BHP2B3-D-25	25	200	215	230	3000	400	159.6	93.8	20
BHP2B3-D-28	28	180	190	200	2500	400	164.6	96.3	20
BHP2B3-D-30	30	160	170	180	2500	400	167.9	98.0	20

# BHM2B0



M6螺纹深13, M8螺纹深17.  
安装泵时, n.4 M10螺钉扭矩设定为  
70...75 Nm.  
轴伸M12x1.25螺母扭矩设定为 50 Nm.

M6 thread depth 13, M8 thread depth 17.  
To mount the pump, n.4 M10 screws,  
with a torque wrench setting fixed  
at 70...75 Nm.  
Shaft M12x1.25 nut, with a torque  
wrench setting fixed at 50 Nm.



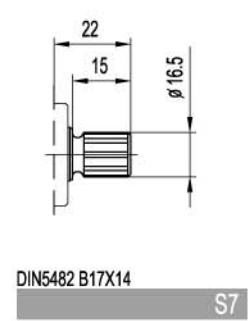
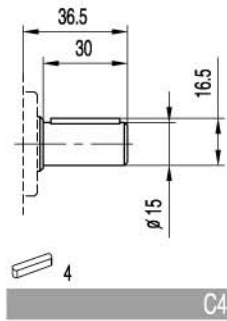
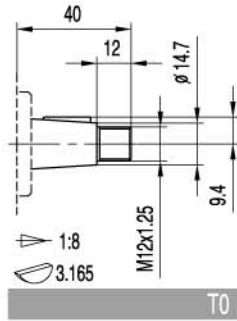
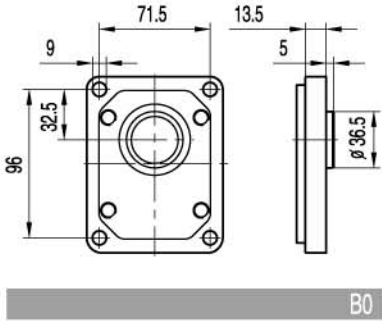
PP= 最高峰值输入压力      PP= max peak input pressure  
PC= 最高连续背压压力      PC= max pressure continually as output counterpressure  
PI= 最高连续输入压力      PI= max peak input pressure continually

规格 Type	排量 Displacement (cm <sup>3</sup> /rev)	最大压力 Max pressure			最高转速 Max. speed (r/min)	最低转速 Min. speed (r/min)	尺寸 Dimensions				
		P1 bar	P2 bar	P3 bar			M mm	L mm	B mm	D mm	H
BHM2B0-R-3-Q1	3	280	270	295	4000	800	91.1	43.6	30	13	M6
BHM2B0-R-4-Q1	4	280	270	295	4000	600	92.7	44.4	30	13	M6
BHM2B0-R-6-Q1	6	280	270	295	4000	600	96.0	46.0	30	13	M6
BHM2B0-R-8-Q1	8	280	270	295	3500	500	99.3	47.7	30	13	M6
BHM2B0-R-10-Q1	10	280	270	295	3000	500	102.6	49.3	40	20	M8
BHM2B0-R-12-Q1	12	280	270	295	3000	500	105.9	51.0	40	20	M8
BHM2B0-R-14-Q1	14	260	250	275	4000	500	109.3	52.7	40	20	M8
BHM2B0-R-16-Q1	16	260	250	275	4000	500	112.7	54.4	40	20	M8
BHM2B0-R-18-Q1	18	260	250	275	3600	400	116.0	56.0	40	20	M8
BHM2B0-R-20-Q1	20	230	220	245	3200	400	119.3	57.7	40	20	M8
BHM2B0-R-22-Q1	22	230	220	245	3000	400	122.6	59.3	40	20	M8
BHM2B0-R-25-Q1	25	210	200	225	3000	400	127.6	61.8	40	22	M8
BHM2B0-R-28-Q1	28	200	190	215	2500	400	132.6	64.3	40	22	M8
BHM2B0-R-30-Q1	30	180	170	195	2500	400	135.9	66.0	40	22	M8

**BAP2[BHP2]**

前盖/Front cover

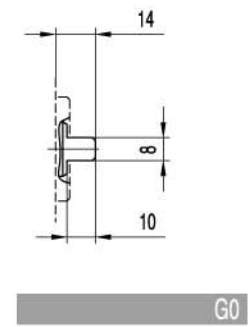
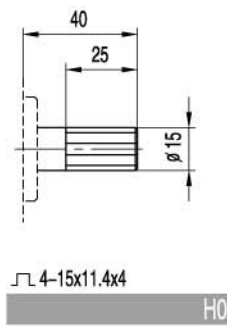
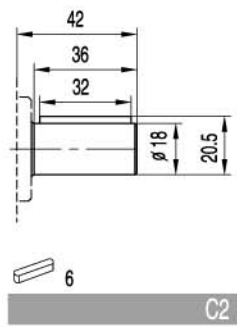
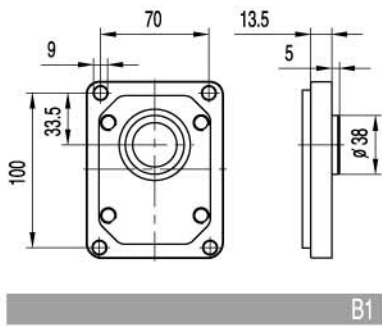
轴伸/SHAFTS



最大扭矩  
Max.Torque 200 Nm

最大扭矩  
Max.Torque 135 Nm

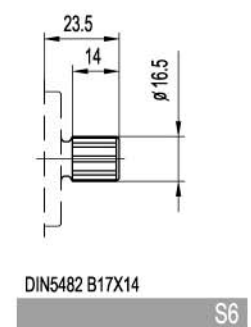
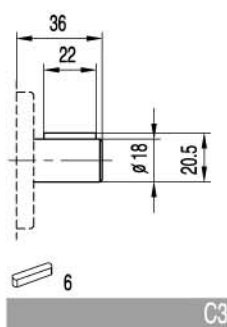
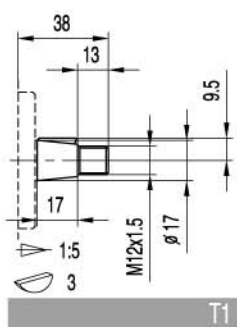
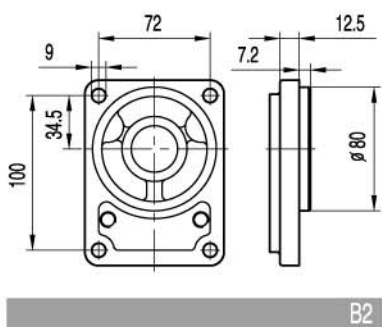
最大扭矩  
Max.Torque 150 Nm



最大扭矩  
Max.Torque 150 Nm

最大扭矩  
Max.Torque 185 Nm

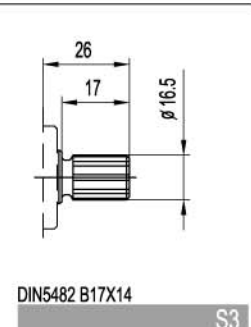
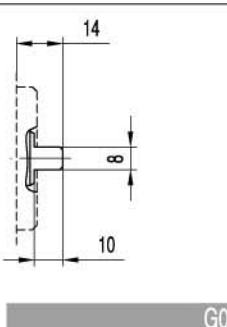
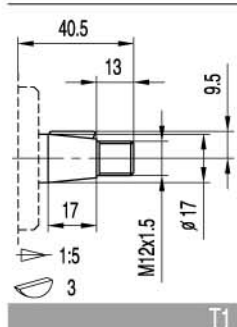
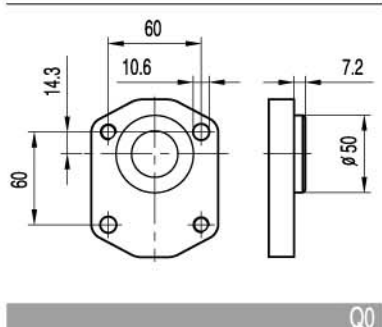
最大扭矩  
Max.Torque 100 Nm



最大扭矩  
Max.Torque 180 Nm

最大扭矩  
Max.Torque 150 Nm

最大扭矩  
Max.Torque 150 Nm



最大扭矩  
Max.Torque 180 Nm

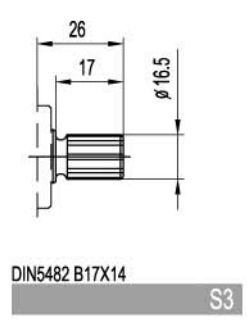
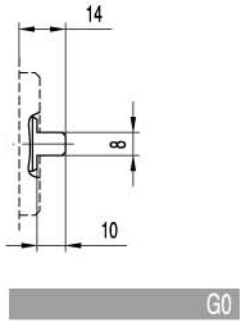
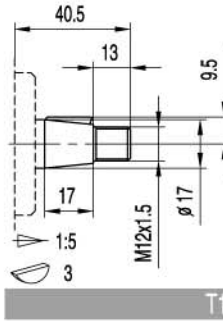
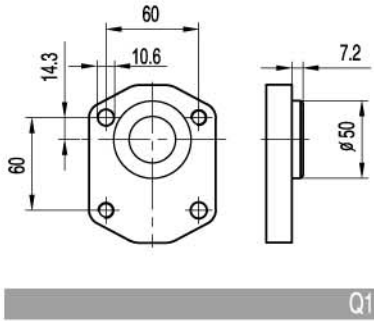
最大扭矩  
Max.Torque 100 Nm

最大扭矩  
Max.Torque 150 Nm

**BAP2[BHP2]**

前盖/Front COVER

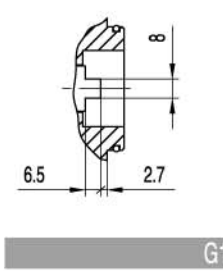
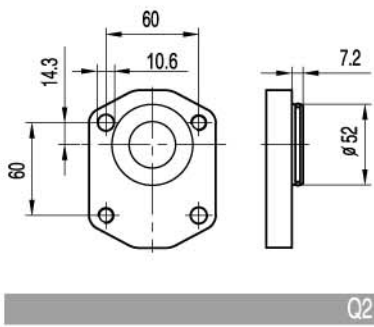
轴伸/SHAFTS



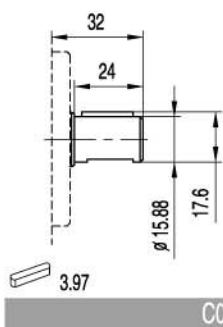
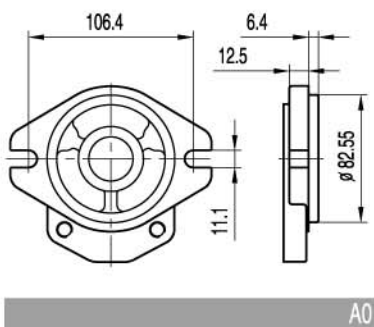
最大扭矩  
Max.Torque 180 Nm

最大扭矩  
Max.Torque 100 Nm

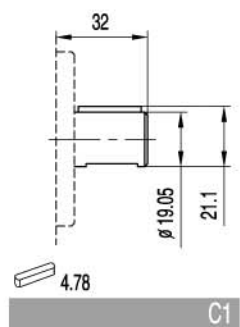
最大扭矩  
Max.Torque 150 Nm



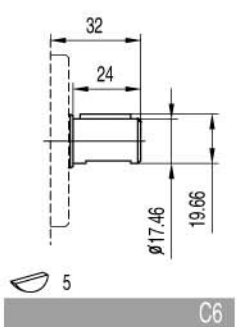
最大扭矩  
Max.Torque 100 Nm



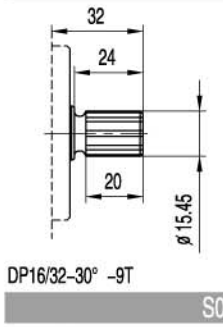
最大扭矩  
Max.Torque 140 Nm



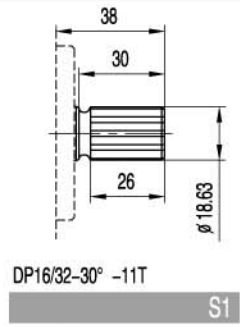
最大扭矩  
Max.Torque 160 Nm



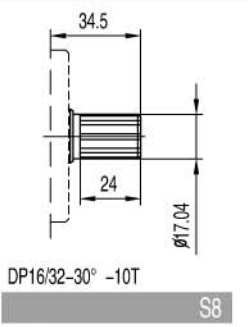
最大扭矩  
Max.Torque 180 Nm



最大扭矩  
Max.Torque 185 Nm



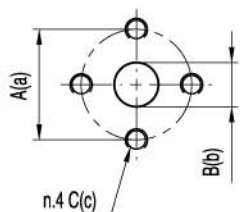
最大扭矩  
Max.Torque 200 Nm



最大扭矩  
Max.Torque 190 Nm

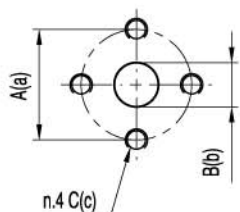
# BAP2[BHP2]

## 油口/PORTS



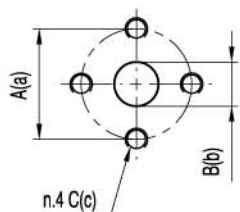
E0/E1/E2

规格 TYPE	油口代号 PORTS CODE	进油口 INLET			出油口 OUTLET		
		A	B	C	a	b	c
BA(H)P2...3 ÷ BA(H)P2...8	E0	30	13	M6	30	13	M6
BA(H)P2...10 ÷ BA(H)P2...22	E1	40	20	M8	30	13	M6
BA(H)P2...25 ÷ BA(H)P2...30	E2	40	22	M8	30	13	M6



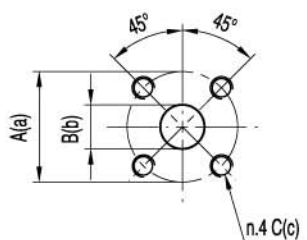
E3

规格 TYPE	进油口 INLET			出油口 OUTLET		
	A	B	C	a	b	c
BA(H)P2...3 ÷ BA(H)P2...8	38	14	M8	38	10	M8
BA(H)P2...10 ÷ BA(H)P2...22	38	18	M8	38	15	M8
BA(H)P2...25 ÷ BA(H)P2...30	38	20	M8	38	15	M8



E4

规格 TYPE	进油口 INLET			出油口 OUTLET		
	A	B	C	a	b	c
BA(H)P2...8 ÷ BA(H)P2...10	40	13	M8	40	13	M8
BA(H)P2...12 ÷ BA(H)P2...20	40	19	M8	40	13	M8
BA(H)P2...22 ÷ BA(H)P2...28	40	19	M8	40	19	M8
BA(H)P2...30	40	21	M8	40	19	M8

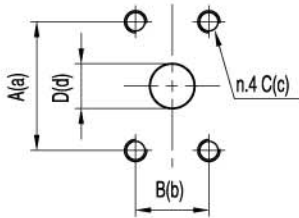


F0/F1/F5

规格 TYPE	油口代号 PORTS CODE	进油口 INLET			出油口 OUTLET		
		A	B	C	a	b	c
BA(H)P2...3 ÷ BA(H)P2...8	F0	40	15	M6	35	15	M6
BA(H)P2...10 ÷ BA(H)P2...30	F1	40	20	M6	35	15	M6
BA(H)P2...16 ÷ BA(H)P2...30	F5	55	26	M8	55	18	M8

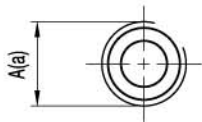
# BAP2[BHP2]

## 油口/PORTS



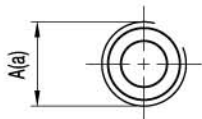
F2/F3/F4

规格 TYPE	油口代号 PORTS CODE	进油口 INLET				出油口 OUTLET			
		A	B	C	D	a	b	c	d
BA(H)P2...3 ÷ BA(H)P2...16	F2	38.1	17.48	5/16-18UNC	13	38.1	17.48	5/16-18UNC	13
BA(H)P2...18 ÷ BA(H)P2...20	F3	47.63	22.23	3/8-16UNC	20	38.1	17.48	5/16-18UNC	13
BA(H)P2...22 ÷ BA(H)P2...30	F4	47.63	22.23	3/8-16UNC	20	47.63	22.23	3/8-16UNC	20



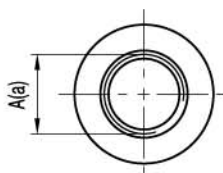
L0/L1/L3/L4

规格 TYPE	油口代号 PORTS CODE	进油口 INLET	出油口 OUTLET
		A	a
BA(H)P2...3 ÷ BA(H)P2...6	L0	G1/2	G1/2
BA(H)P2...8 ÷ BA(H)P2...30	L1	G3/4	G1/2
BA(H)P2...16 ÷ BA(H)P2...30	L3	G 1	G3/4
BA(H)P2...8 ÷ BA(H)P2...30	L4	G3/4	G3/4



R0/R1/R2

规格 TYPE	油口代号 PORTS CODE	进油口 INLET	出油口 OUTLET
		A	a
BA(H)P2...3 ÷ BA(H)P2...12	R0	PT1/2	PT1/2
BA(H)P2...14 ÷ BA(H)P2...25	R1	PT3/4	PT1/2
BA(H)P2...28 ÷ BA(H)P2...30	R2	PT 1	PT3/4



U0/U1/U2/U3

规格 TYPE	油口代号 PORTS CODE	进油口 INLET	出油口 OUTLET
		A	a
BA(H)P2...3 ÷ BA(H)P2...28	U0	1 1/16-12 UNF	7/8-14 UNF
BA(H)P2...30	U1	1 5/16-12 UNF	7/8-14 UNF
BA(H)P2...3 ÷ BA(H)P2...28	U2	7/8-14 UNF	3/4-16 UNF
BA(H)P2...8 ÷ BA(H)P2...30	U3	1 5/16-12 UNF	1 1/16-12 UNF

# BAP2.5[BHP2.5]

## 如何订购/ HOW TO ORDER

BA	P	2.5	前盖 Front cover	旋向 Rotation	规格 Size	轴伸 Shaft	油口 Ports	油口位置 Ports position	油封 Seals	可选项 Options
系列号 Series	P- 齿轮泵 Pump	组别 Group	A0	D 顺时针转 Clockwise	10 12.5					
BA-前、后盖材料为铝合金 BA-Front and end cover material aluminum			A1	S 逆时针转 Counter clockwise	14 16 18					
BH-前、后盖材料为铸铁,压力比"BA"系列高 30bar。 BH-Front and end cover material cast iron, pressure than "BA" series high 30 bar.				R 可正反转 Reversible	19 20 23 25 26.5 28 30 32 36 40 45					

### 油口位置

省略-侧进侧出  
A-前进前出  
B-后进前出  
C-后进侧出  
D-侧进前出  
R-后进后出

### Ports position

Omit-Side inlet and side outlet  
A-Front inlet and front outlet  
B-Back inlet and front outlet  
C-Back inlet and side outlet  
D-Side inlet and front outlet  
R-Back inlet and back outlet

### 油封

省略-温度范围在-10℃~+80℃,进油口最高绝对压力为3bar。  
V-适用于高温介质,温度范围在-10℃~+120℃。  
H-适用于低温介质,温度范围在-40℃~+80℃。  
T-适用于进油口最大绝对压力3-6bar。  
N-适用于进油口最大绝对压力3-10bar。

### Seals

Omit-Range between -10°C and +80°C, inlet pressure up to max. 3 bar absolute.  
V-Version suitable for fluid at hi-temperatures, range between -10°C and +120°C.  
H-Version suitable for fluid at low-temperatures, range between -40°C and +80°C.  
T-Version suitable for inlet pressure up to max. 3 and 6 bar absolute.  
N-Version suitable for inlet pressure up to max. 3 and 10 bar absolute.

### 范例/ Examples:

- BAP2.5-A0-D-10-C0-Z0 = 顺时针转, 排量 10 cc/rev, A0 前盖, C0 圆柱轴伸, Z0 安装油口, 标准油封  
clockwise rotation, 10 cc/rev, A0 front cover, C0 parallel shaft, setting ports Z0 type, standard seals
- BHP2.5-A1-D-10-C1-F0 = 顺时针转, 排量 10 cc/rev, A1 前盖, C1 圆柱轴伸, F0 安装油口, 标准油封  
clockwise rotation, 10 cc/rev, A1 front cover, C1 parallel shaft, setting ports F0 type, standard seals
- BHP2.5-A2-D-10-S3-U0-N= 顺时针转, 排量 10 cc/rev, A2 前盖, S3 SAE B 13齿轴伸, U0 安装油口, 高压油封(N)  
clockwise rotation, 10 cc/rev, A2 front cover, SAE B splined 13T shaft(S3), setting ports U0 type, high pressure seals(N)



# BAP2.5A0

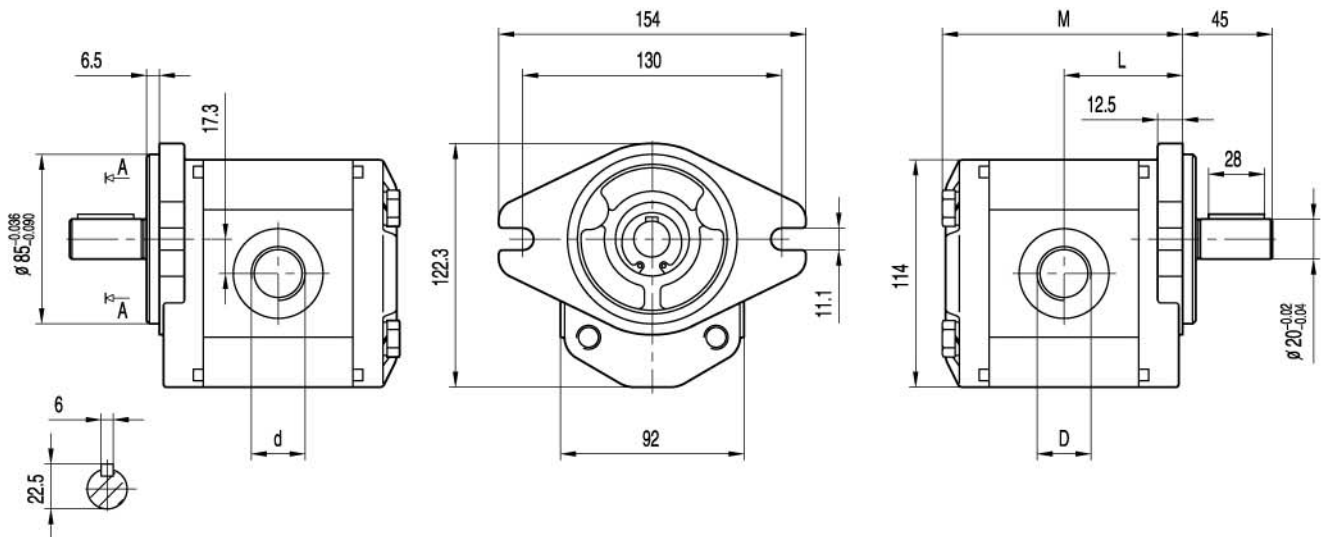


M18x1.5 螺纹深 15,  
M22x1.5 螺纹深 16,  
M27x2 螺纹深 19,  
M33x2 螺纹深 20,  
安装泵时, n.4 M12 螺钉扭矩设定为  
75...80 Nm.

M18x1.5 thread depth 15,  
M22x1.5 thread depth 16,  
M27x2 thread depth 19,  
M33x2 thread depth 20,  
To mount the pump, n.4 M12 screws,  
with a torque wrench setting fixed  
at 75...80 Nm.

出油口  
OUTLET

进油口  
INLET



规格 Type	排量 Displacement  (cm <sup>3</sup> /rev)	最大压力 Max pressure			最高转速 Max. speed  (r/min)	最低转速 Min. speed  (r/min)	尺寸 Dimensions			
		P1 bar	P2 bar	P3 bar			M mm	L mm	D	d
BAP2.5A0-D-10	10	250	270	290	4000	800	110	53.3	M22x1.5	M18x1.5
BAP2.5A0-D-12.5	12.5	250	270	290	4000	800	113	54.8	M22x1.5	M18x1.5
BAP2.5A0-D-14	14	250	270	290	4000	700	115	55.8	M22x1.5	M18x1.5
BAP2.5A0-D-16	16	250	270	290	3500	700	118	57.1	M27x2	M22x1.5
BAP2.5A0-D-18	18	250	270	290	3500	600	120	58.3	M27x2	M22x1.5
BAP2.5A0-D-19	19	250	270	290	3500	600	121	58.8	M27x2	M22x1.5
BAP2.5A0-D-20	20	250	270	290	3000	500	123	59.6	M27x2	M22x1.5
BAP2.5A0-D-23	23	230	250	260	3500	500	126	61.3	M33x2	M27x2
BAP2.5A0-D-25	25	230	250	260	3500	500	129	62.6	M33x2	M27x2
BAP2.5A0-D-26.5	26.5	230	250	260	3500	500	131	63.6	M33x2	M27x2
BAP2.5A0-D-28	28	230	250	260	3500	500	133	64.6	M33x2	M27x2
BAP2.5A0-D-30	30	230	250	260	3000	400	135	65.6	M33x2	M27x2
BAP2.5A0-D-32	32	200	230	250	3000	400	138	67.1	M33x2	M27x2
BAP2.5A0-D-36	36	200	230	250	2750	400	142	69.1	M33x2	M27x2
BAP2.5A0-D-40	40	160	180	200	2500	400	148	71.6	M33x2	M27x2
BAP2.5A0-D-45	45	160	180	200	2500	400	153	74.6	M33x2	M27x2

# BAP2.5A1[BHP2.5A1]



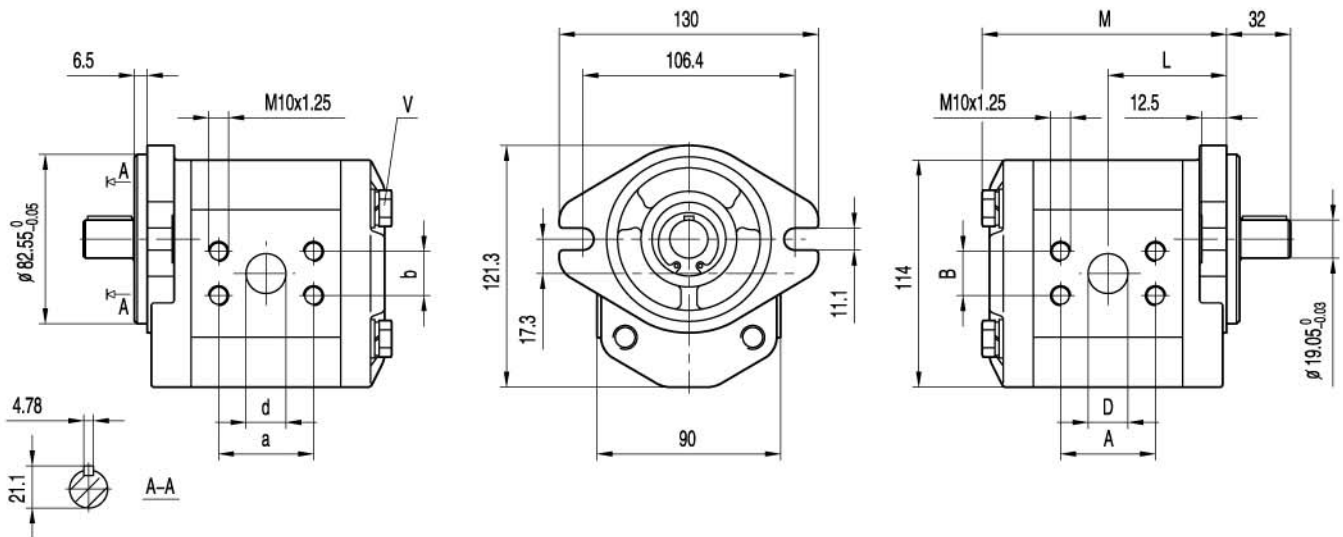
M10x1.25 螺纹深 15.

M10x1.25 thread depth 15.

安装法兰材料	V
Mounting flange material	Screws tightening torque Nm
Aluminum	75...80
Cast iron	130...135

出油口  
OUTLET

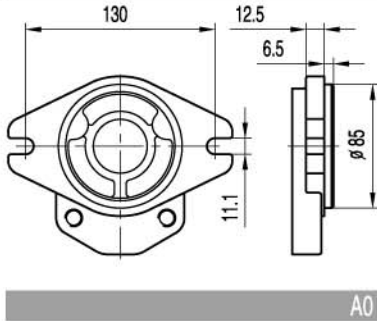
进油口  
INLET



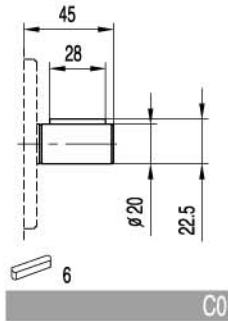
规格 Type	排量 Displacement	最大压力 Max pressure			最高转速 Max. speed	最低转速 Min. speed	尺寸 Dimensions							
		P1	P2	P3			M	L	A	B	D	a	b	d
	(cm <sup>3</sup> /rev)	bar	bar	bar	(r/min)	(r/min)	mm	mm	mm	mm	mm	mm	mm	mm
BAP2.5A1-D-10	10	250	270	290	4000	800	110	53.3	47.6	22.2	20	47.6	22.2	13
BAP2.5A1-D-12.5	12.5	250	270	290	4000	800	113	54.8	47.6	22.2	20	47.6	22.2	13
BAP2.5A1-D-14	14	250	270	290	4000	700	115	55.8	47.6	22.2	20	47.6	22.2	13
BAP2.5A1-D-16	16	250	270	290	3500	700	118	57.1	47.6	22.2	20	47.6	22.2	13
BAP2.5A1-D-18	18	250	270	290	3500	600	120	58.3	52.4	26.2	25	47.6	22.2	20
BAP2.5A1-D-19	19	250	270	290	3500	600	121	58.8	52.4	26.2	25	47.6	22.2	20
BAP2.5A1-D-20	20	250	270	290	3000	500	123	59.6	52.4	26.2	25	47.6	22.2	20
BAP2.5A1-D-23	23	230	250	260	3500	500	126	61.3	52.4	26.2	25	47.6	22.2	20
BAP2.5A1-D-25	25	230	250	260	3500	500	129	62.6	52.4	26.2	25	47.6	22.2	20
BAP2.5A1-D-26.5	26.5	230	250	260	3500	500	131	63.6	52.4	26.2	25	47.6	22.2	20
BAP2.5A1-D-28	28	230	250	260	3500	500	133	64.6	52.4	26.2	25	47.6	22.2	20
BAP2.5A1-D-30	30	230	250	260	3000	400	135	65.6	52.4	26.2	25	47.6	22.2	20
BAP2.5A1-D-32	32	200	230	250	3000	400	138	67.1	52.4	26.2	25	47.6	22.2	20
BAP2.5A1-D-36	36	200	230	250	2750	400	142	69.1	52.4	26.2	25	47.6	22.2	20
BAP2.5A1-D-40	40	160	180	200	2500	400	148	71.6	52.4	26.2	25	47.6	22.2	20
BAP2.5A1-D-45	45	160	180	200	2500	400	153	74.6	52.4	26.2	25	47.6	22.2	20

# BAP2.5[BHP2.5]

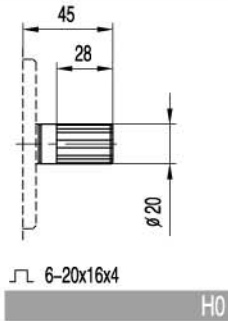
## 前盖/Front COVER



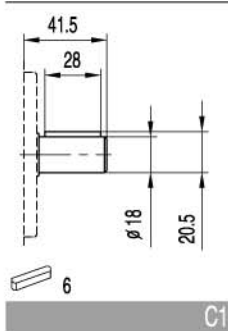
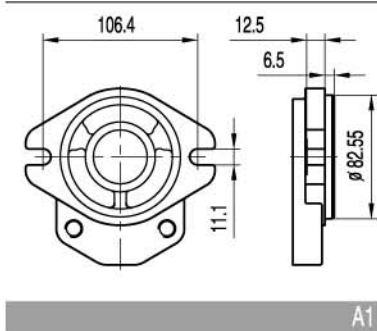
## 轴伸/SHAFTS



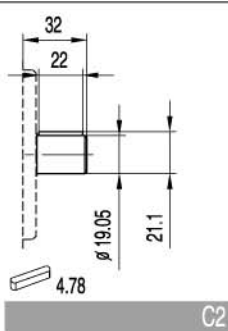
最大扭矩  
Max.Torque 200 Nm



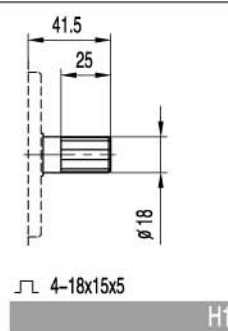
最大扭矩  
Max.Torque 240 Nm



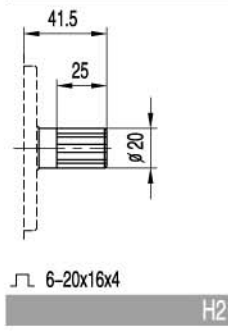
最大扭矩  
Max.Torque 180 Nm



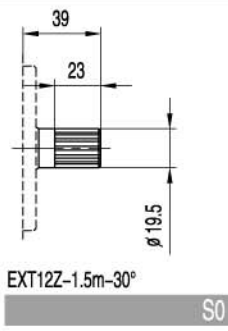
最大扭矩  
Max.Torque 190 Nm



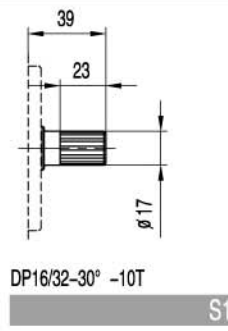
最大扭矩  
Max.Torque 200 Nm



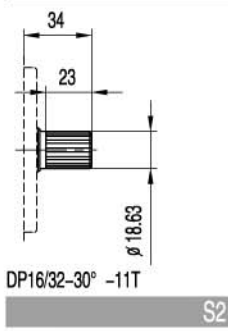
最大扭矩  
Max.Torque 240 Nm



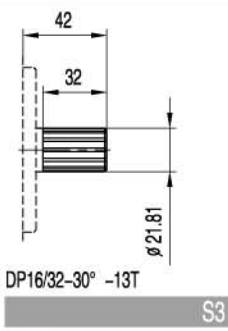
最大扭矩  
Max.Torque 220 Nm



最大扭矩  
Max.Torque 200 Nm



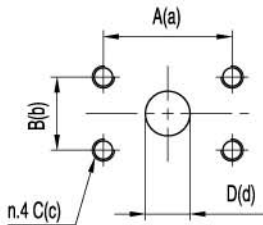
最大扭矩  
Max.Torque 210 Nm



最大扭矩  
Max.Torque 300 Nm

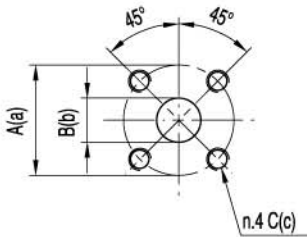
# BAP2.5[BHP2.5]

## 油口/PORTS



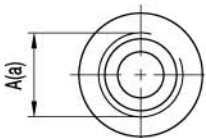
F0/F1

规格 TYPE	油口代号 PORTS CODE	进油口 INLET				出油口 OUTLET			
		A	B	C	D	a	b	c	d
BA(H)P2.5...10 ÷ BA(H)P2.5...16	F0	47.6	22.2	M10x1.25	20	47.6	22.2	M10x1.25	13
BA(H)P2.5...18 ÷ BA(H)P2.5...45	F1	52.4	26.2	M10x1.25	25	47.6	22.2	M10x1.25	20



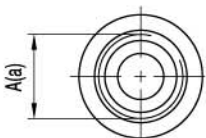
F2

规格 TYPE	进油口 INLET			出油口 OUTLET		
	A	B	C	a	b	c
BA(H)P2.5...10 ÷ BA(H)P2.5...16	55	20	M8	55	13	M8
BA(H)P2.5...18 ÷ BA(H)P2.5...45	55	25	M8	55	20	M8



Z0/Z1/Z2

规格 TYPE	油口代号 PORTS CODE	进油口 INLET	出油口 OUTLET
		A	a
BA(H)P2.5...10 ÷ BA(H)P2.5...14	Z0	M22x1.5	M18x1.5
BA(H)P2.5...16 ÷ BA(H)P2.5...20	Z1	M27x2	M22x1.5
BA(H)P2.5...23 ÷ BA(H)P2.5...45	Z2	M33x2	M27x2

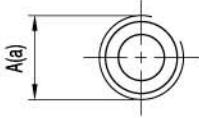


U0/U1

规格 TYPE	油口代号 PORTS CODE	进油口 INLET	出油口 OUTLET
		A	a
BA(H)P2.5...10 ÷ BA(H)P2.5...23	U0	1 1/16-12 UNF	7/8-14 UNF
BA(H)P2.5...25 ÷ BA(H)P2.5...45	U1	1 5/16-12 UNF	1 1/16-12 UNF

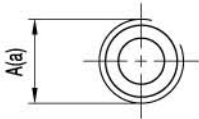
# BAP2.5[BHP2.5]

## 油口/PORTS



L0/L1

规格 TYPE	油口代号 PORTS CODE	进油口 INLET	出油口 OUTLET
		A	a
BA(H)P2.5...10 ÷ BA(H)P2.5...23	L0	G3/4	G1/2
BA(H)P2.5...25 ÷ BA(H)P2.5...45	L1	G 1	G3/4



R0/R1

规格 TYPE	油口代号 PORTS CODE	进油口 INLET	出油口 OUTLET
		A	a
BA(H)P2.5...10 ÷ BA(H)P2.5...23	R0	PT3/4	PT1/2
BA(H)P2.5...25 ÷ BA(H)P2.5...45	R1	PT 1	PT3/4

# BHP2.6

## 如何订购/ HOW TO ORDER

BA	P	2.6	前盖 Front cover	旋向 Rotation	规格 Size	轴伸 Shaft	油口 Ports	油口位置 Ports position	油封 Seals	可选项 Options
系列号 Series	P- 齿轮泵 Pump	组别 Group	B0	D 顺时针转 Clockwise	6					
BA- 前、后盖材料为铝合金 BA-Front and end cover material aluminum			A1	S 逆时针转 Counter clockwise	8					
BH- 前、后盖材料为铸铁, 压力比“BA”系列高 30bar。 BH-Front and end cover material cast iron, pressure than “BA”series high 30 bar.			A2	R 可正反转 Reversible	10					
					12					
					14					
					16					
					19					
					22					
					25					
					28					
					30					
					32					
					36					
					38					
					40					
					44					

### 油口位置

省略-侧进侧出  
A-前进前出  
B-后进前出  
C-后进侧出  
D-侧进前出  
R-后进后出

### Ports position

Omit-Side inlet and side outlet  
A-Front inlet and front outlet  
B-Back inlet and front outlet  
C-Back inlet and side outlet  
D-Side inlet and front outlet  
R-Back inlet and back outlet

### 油封

省略-温度范围在-10℃~+80℃, 进油口最高绝对压力为3bar。  
V-适用于高温介质, 温度范围在-10℃~+120℃。  
H-适用于低温介质, 温度范围在-40℃~+80℃。  
T-适用于进油口最大绝对压力3-6bar。  
N-适用于进油口最大绝对压力3-10bar。

### Seals

Omit-Range between -10℃ and +80℃, inlet pressure up to max. 3 bar absolute.  
V-Version suitable for fluid at hi-temperatures, range between -10℃ and +120℃.  
H-Version suitable for fluid at low-temperatures, range between -40℃ and +80℃.  
T-Version suitable for inlet pressure up to max. 3 and 6 bar absolute.  
N-Version suitable for inlet pressure up to max. 3 and 10 bar absolute.

### 范例/ Examples:

BHP2.6-B0-D-10-T0-E1= 顺时针转, 排量10 cc/rev, B0前盖, T0 1:8 锥度轴伸, E1安装油口, 标准油封  
clockwise rotation, 10 cc/rev, B0 front cover, T0 1:8 tapered shaft(T0), setting ports E1 type, standard seals

BHP2.6-A1-D-10-C1-F0= 顺时针转, 排量10 cc/rev, A1前盖, C1圆柱轴伸, F0安装油口, 标准油封  
clockwise rotation, 10 cc/rev, A1 front cover, C1 parallel shaft, setting ports F0 type, standard seals

BHP2.6-A2-D-10-S3-U0-N= 顺时针转, 排量10 cc/rev, A2前盖, S3 SAE B 13齿轴伸, U0安装油口, 高压油封(N)  
clockwise rotation, 10 cc/rev, A2 front cover, SAE B splined 13T shaft( S3), setting ports U0 type, high pressure seals(N)

# BAP2.6B0

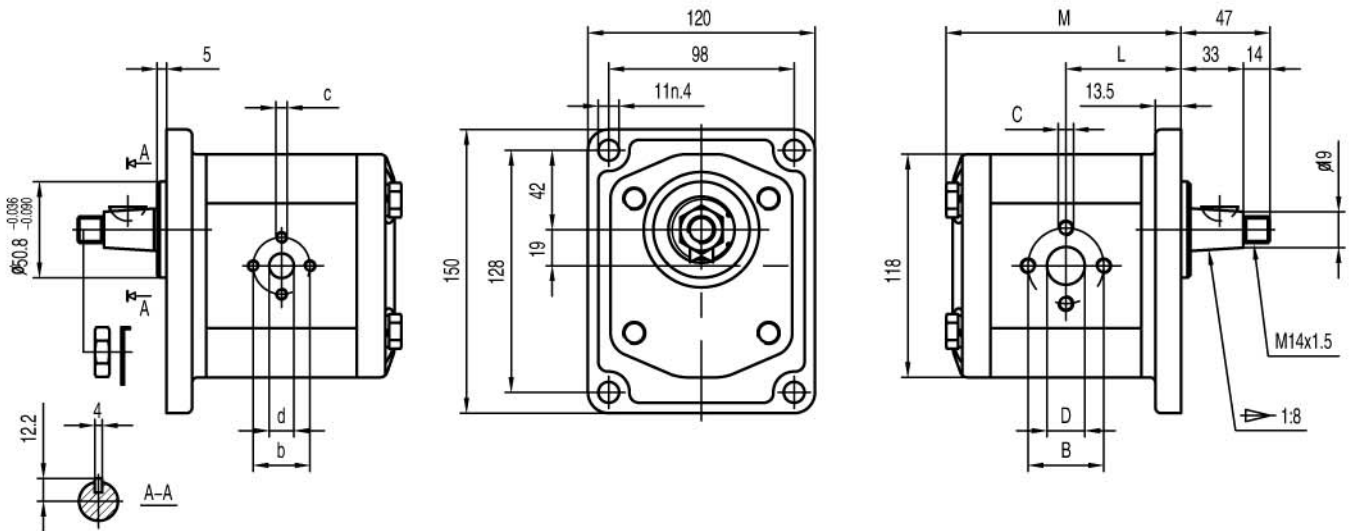


安装泵时, n.4 M12螺钉扭矩设定为  
130...135Nm.  
轴伸M14x1.5螺母扭矩设定为 75 Nm.

To mount the pump, n.4 M10 screws,  
with a torque wrench setting fixed  
at 130...135 Nm.  
Shaft M14x1.5 nut, with a torque  
wrench setting fixed at 75 Nm.

出油口  
OUTLET

进油口  
INLET



规格 Type	排量 Displacement (cm <sup>3</sup> /rev)	最大压力 Max pressure			最高转速 Max. speed (r/min)	最低转速 Min. speed (r/min)	尺寸 Dimensions							
		P1 bar	P2 bar	P3 bar			M mm	L mm	B mm	D mm	C mm	b mm	d mm	c
BHP2.6B0-D-6	6	250	280	300	4000	800	103	49.3	30	13	M6	30	13	M6
BHP2.6B0-D-8	8	250	280	300	4000	800	105	50.3	30	13	M6	30	13	M6
BHP2.6B0-D-10	10	250	280	300	4000	700	107	51.3	40	20	M8	30	13	M6
BHP2.6B0-D-12	12	250	280	300	3500	700	110	52.5	40	20	M8	30	13	M6
BHP2.6B0-D-14	14	250	280	300	3500	600	111	53.3	40	20	M8	30	13	M6
BHP2.6B0-D-16	16	250	280	300	3500	600	114	54.5	40	20	M8	30	13	M6
BHP2.6B0-D-19	19	250	280	300	3000	500	117	56.3	40	20	M8	30	13	M6
BHP2.6B0-D-22	22	250	280	300	3000	500	121	58.0	51	25	M10	40	18	M8
BHP2.6B0-D-25	25	250	280	300	3000	500	123	59.3	51	25	M10	40	18	M8
BHP2.6B0-D-28	28	250	280	300	3000	500	126	60.8	51	25	M10	40	18	M8
BHP2.6B0-D-30	30	230	250	260	3000	500	129	62.0	51	25	M10	40	18	M8
BHP2.6B0-D-32	32	230	250	260	3000	400	131	63.3	51	25	M10	40	18	M8
BHP2.6B0-D-36	36	200	230	250	2750	400	135	65.3	51	25	M10	40	18	M8
BHP2.6B0-D-38	38	200	230	250	2750	400	137	66.3	51	25	M10	40	18	M8
BHP2.6B0-D-40	40	170	190	210	2500	400	139	67.3	51	25	M10	40	18	M8
BHP2.6B0-D-44	44	170	190	210	2500	400	144	69.5	51	25	M10	40	18	M8

# BHP2.6A1

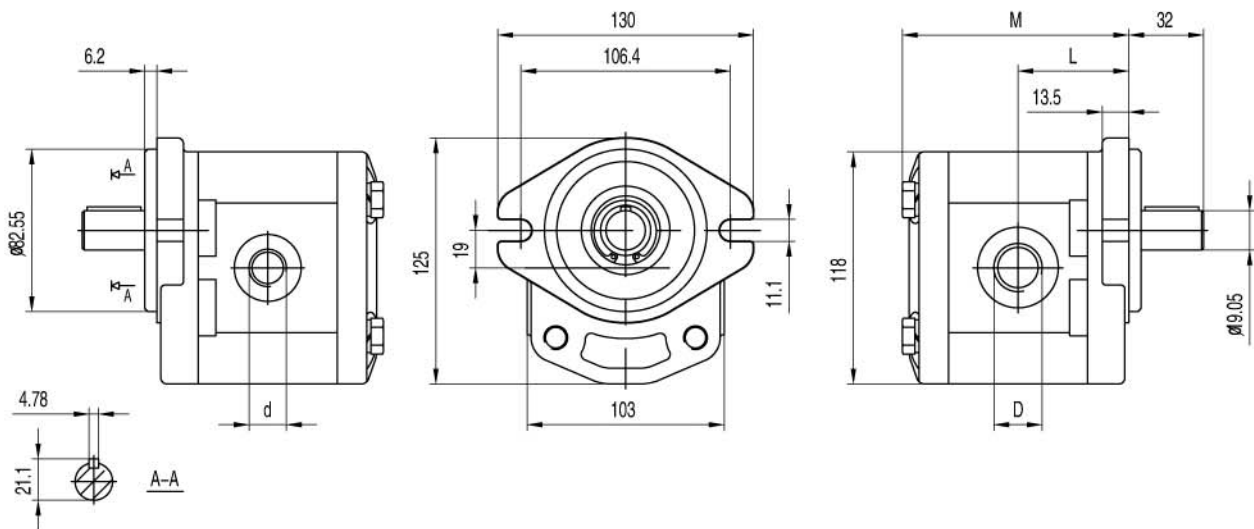


G 1 螺纹深 19,  
G 3/4 螺纹深 16,  
G 1/2 螺纹深 15,  
安装泵时, n.4 M12 螺钉扭矩设定为  
130...135 Nm.

G 1 thread depth 19,  
G 3/4 thread depth 16,  
G 1/2 thread depth 15,  
To mount the pump, n.4 M12 screws,  
with a torque wrench setting fixed  
at 130...135 Nm.

出油口  
OUTLET

进油口  
INLET



规格 Type	排量 Displacement	最大压力 Max pressure			最高转速 Max. speed	最低转速 Min. speed	尺寸 Dimensions			
		P1	P2	P3			M	L	D	d
	(cm <sup>3</sup> /rev)	bar	bar	bar	(r/min)	(r/min)	mm	mm		
BHP2.6A1-D-6	6	250	280	300	4000	800	103	49.3	G 3/4	G 1/2
BHP2.6A1-D-8	8	250	280	300	4000	800	105	50.3	G 3/4	G 1/2
BHP2.6A1-D-10	10	250	280	300	4000	700	107	51.3	G 3/4	G 1/2
BHP2.6A1-D-12	12	250	280	300	3500	700	110	52.5	G 3/4	G 1/2
BHP2.6A1-D-14	14	250	280	300	3500	600	111	53.3	G 3/4	G 1/2
BHP2.6A1-D-16	16	250	280	300	3500	600	114	54.5	G 3/4	G 1/2
BHP2.6A1-D-19	19	250	280	300	3000	500	117	56.3	G 3/4	G 1/2
BHP2.6A1-D-22	22	250	280	300	3000	500	121	58.0	G 3/4	G 1/2
BHP2.6A1-D-25	25	250	280	300	3000	500	123	59.3	G 1	G 3/4
BHP2.6A1-D-28	28	250	280	300	3000	500	126	60.8	G 1	G 3/4
BHP2.6A1-D-30	30	230	250	260	3000	500	129	62.0	G 1	G 3/4
BHP2.6A1-D-32	32	230	250	260	3000	400	131	63.3	G 1	G 3/4
BHP2.6A1-D-36	36	200	230	250	2750	400	135	65.3	G 1	G 3/4
BHP2.6A1-D-38	38	200	230	250	2750	400	137	66.3	G 1	G 3/4
BHP2.6A1-D-40	40	170	190	210	2500	400	139	67.3	G 1	G 3/4
BHP2.6A1-D-44	44	170	190	210	2500	400	144	69.5	G 1	G 3/4



# BHP2.6A2

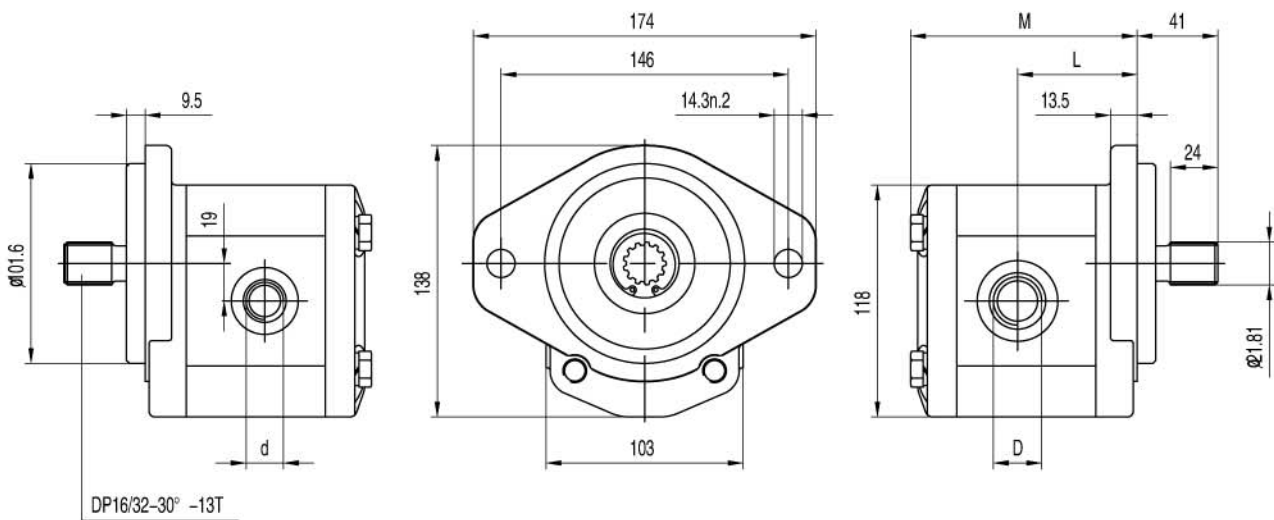


"D"和"d"油口有螺纹加工，用O形圈密封，旁侧削平的SAE J1926/1 (ISO J1926-1)。  
安装泵时，n.4 M12螺钉扭矩设定为130...135 Nm。

"D" and "d" ports are machined in compliance with threaded port with O-ring seal in truncated housing SAE J1926/1 (ISO J1926-1).  
To mount the pump, n.4 M12 screws, with a torque wrench setting fixed at 130...135 Nm.

出油口  
OUTLET

进油口  
INLET



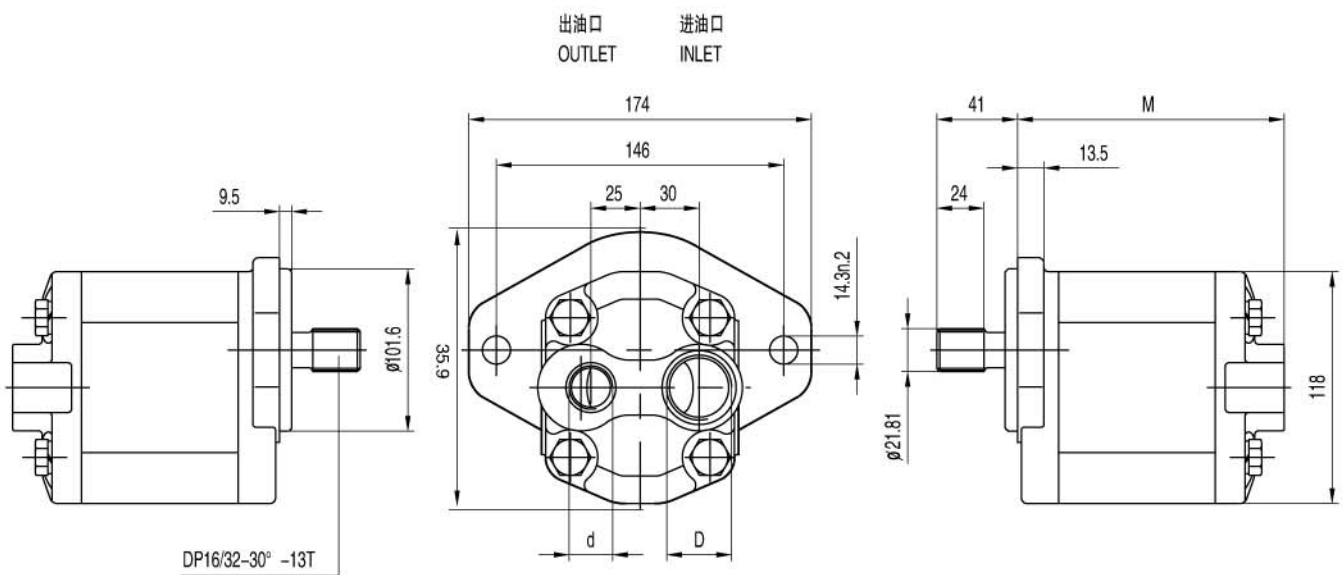
规格 Type	排量 Displacement	最大压力 Max pressure			最高转速 Max. speed	最低转速 Min. speed	尺寸 Dimensions			
		P1	P2	P3			M	L	D	d
	(cm <sup>3</sup> /rev)	bar	bar	bar	(r/min)	(r/min)	mm	mm		
BHP2.6A2-D-6	6	250	280	300	4000	800	103	49.3	1 1/16-12UNF	7/8-14UNF
BHP2.6A2-D-8	8	250	280	300	4000	800	105	50.3	1 1/16-12UNF	7/8-14UNF
BHP2.6A2-D-10	10	250	280	300	4000	700	107	51.3	1 1/16-12UNF	7/8-14UNF
BHP2.6A2-D-12	12	250	280	300	3500	700	110	52.5	1 1/16-12UNF	7/8-14UNF
BHP2.6A2-D-14	14	250	280	300	3500	600	111	53.3	1 1/16-12UNF	7/8-14UNF
BHP2.6A2-D-16	16	250	280	300	3500	600	114	54.5	1 1/16-12UNF	7/8-14UNF
BHP2.6A2-D-19	19	250	280	300	3000	500	117	56.3	1 1/16-12UNF	7/8-14UNF
BHP2.6A2-D-22	22	250	280	300	3000	500	121	58.0	1 1/16-12UNF	7/8-14UNF
BHP2.6A2-D-25	25	250	280	300	3000	500	123	59.3	1 5/16-12UNF	1 1/16-12UNF
BHP2.6A2-D-28	28	250	280	300	3000	500	126	60.8	1 5/16-12UNF	1 1/16-12UNF
BHP2.6A2-D-30	30	230	250	260	3000	500	129	62.0	1 5/16-12UNF	1 1/16-12UNF
BHP2.6A2-D-32	32	230	250	260	3000	400	131	63.3	1 5/16-12UNF	1 1/16-12UNF
BHP2.6A2-D-36	36	200	230	250	2750	400	135	65.3	1 5/16-12UNF	1 1/16-12UNF
BHP2.6A2-D-38	38	200	230	250	2750	400	137	66.3	1 5/16-12UNF	1 1/16-12UNF
BHP2.6A2-D-40	40	170	190	210	2500	400	139	67.3	1 5/16-12UNF	1 1/16-12UNF
BHP2.6A2-D-44	44	170	190	210	2500	400	144	69.5	1 5/16-12UNF	1 1/16-12UNF

# BHP2.6A2-R



"D"和"d"油口有螺纹加工, 用O形圈密封, 旁侧削平的SAE J1926/1 (ISO J1926-1)。  
安装泵时, n.4 M12螺钉扭矩设定为 130...135 Nm.

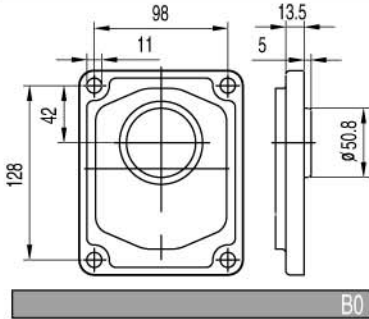
"D" and "d" ports are machined in compliance with threaded port with O-ring seal in truncated housing SAE J1926/1(ISO J1926-1).  
To mount the pump, n.4 M12 screws, with a torque wrench setting fixed at 130...135 Nm.



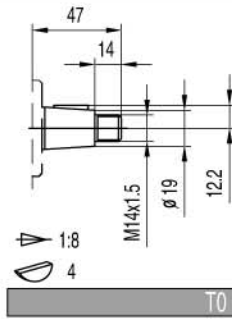
规格 Type	排量 Displacement (cm <sup>3</sup> /rev)	最大压力 Max pressure			最高转速 Max. speed (r/min)	最低转速 Min. speed (r/min)	尺寸 Dimensions		
		P1 bar	P2 bar	P3 bar			M mm	D	d
BHP2.6A2-D-6-R	6	250	280	300	4000	800	118	1 1/16-12UNF	7/8-14UNF
BHP2.6A2-D-8-R	8	250	280	300	4000	800	120	1 1/16-12UNF	7/8-14UNF
BHP2.6A2-D-10-R	10	250	280	300	4000	700	122	1 1/16-12UNF	7/8-14UNF
BHP2.6A2-D-12-R	12	250	280	300	3500	700	125	1 1/16-12UNF	7/8-14UNF
BHP2.6A2-D-14-R	14	250	280	300	3500	600	126	1 1/16-12UNF	7/8-14UNF
BHP2.6A2-D-16-R	16	250	280	300	3500	600	129	1 1/16-12UNF	7/8-14UNF
BHP2.6A2-D-19-R	19	250	280	300	3000	500	132	1 1/16-12UNF	7/8-14UNF
BHP2.6A2-D-22-R	22	250	280	300	3000	500	136	1 1/16-12UNF	7/8-14UNF
BHP2.6A2-D-25-R	25	250	280	300	3000	500	138	1 1/16-12UNF	7/8-14UNF
BHP2.6A2-D-28-R	28	250	280	300	3000	500	141	1 1/16-12UNF	7/8-14UNF
BHP2.6A2-D-30-R	30	230	250	260	3000	500	144	1 1/16-12UNF	7/8-14UNF
BHP2.6A2-D-32-R	32	230	250	260	3000	400	146	1 1/16-12UNF	7/8-14UNF
BHP2.6A2-D-36-R	36	200	230	250	2750	400	150	1 1/16-12UNF	7/8-14UNF
BHP2.6A2-D-38-R	38	200	230	250	2750	400	152	1 1/16-12UNF	7/8-14UNF
BHP2.6A2-D-40-R	40	170	190	210	2500	400	154	1 1/16-12UNF	7/8-14UNF
BHP2.6A2-D-44-R	44	170	190	210	2500	400	159	1 1/16-12UNF	7/8-14UNF

# BHP2.6

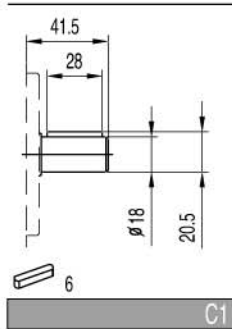
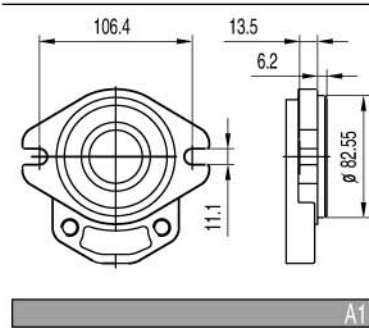
## 前盖/Front COVER



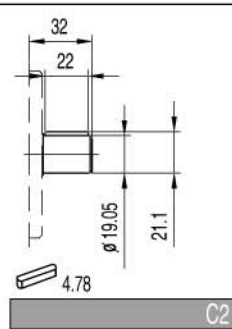
## 轴伸/SHAFTS



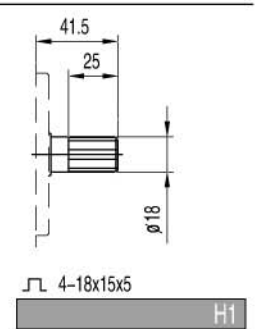
最大扭矩  
Max.Torque 300 Nm



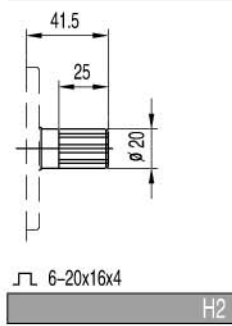
最大扭矩  
Max.Torque 180 Nm



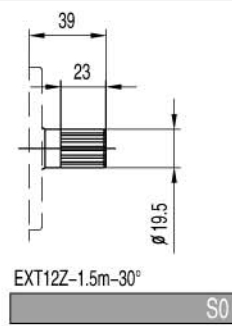
最大扭矩  
Max.Torque 190 Nm



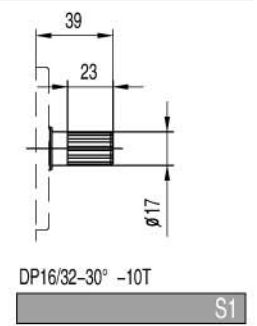
最大扭矩  
Max.Torque 200 Nm



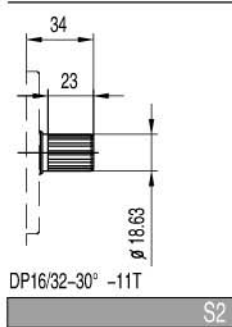
最大扭矩  
Max.Torque 240 Nm



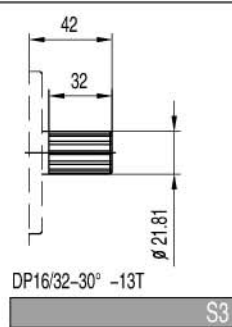
最大扭矩  
Max.Torque 220 Nm



最大扭矩  
Max.Torque 200 Nm



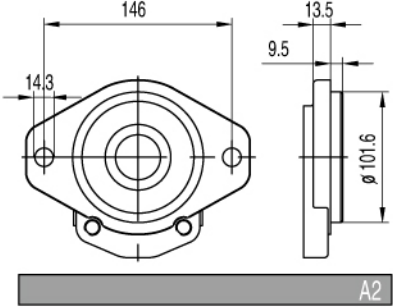
最大扭矩  
Max.Torque 210 Nm



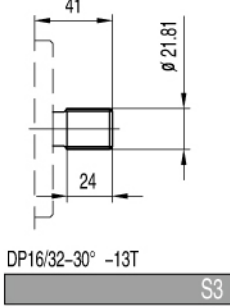
最大扭矩  
Max.Torque 300 Nm

**BHP2.6**

前盖/Front COVER

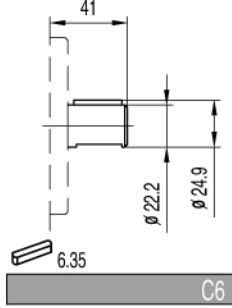


轴伸/SHAFTS



DP16/32-30° -13T  
S3

最大扭矩  
Max.Torque 400 Nm

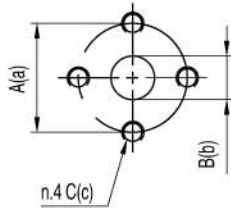


C6

最大扭矩  
Max.Torque 350 Nm

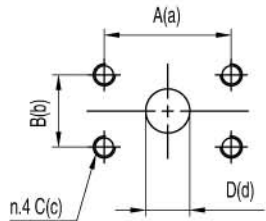
# BHP2.6

## 油口/PORTS



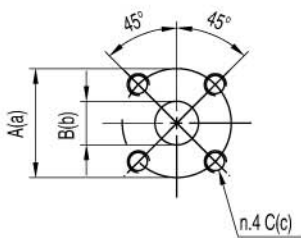
E0/E1/E2

规格 TYPE	油口代号 PORTS CODE	进油口 INLET			出油口 OUTLET		
		A	B	C	a	b	c
BHP2.6...6 ÷ BHP2.6...8	E0	30	13	M6	30	13	M6
BHP2.6...10 ÷ BHP2.6...19	E1	40	20	M8	30	13	M6
BHP2.6...22 ÷ BHP2.6...44	E2	51	25	M10	40	18	M8



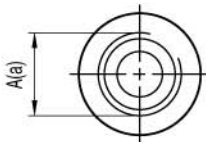
F0/F1

规格 TYPE	油口代号 PORTS CODE	进油口 INLET				出油口 OUTLET			
		A	B	C	D	a	b	c	d
BHP2.5...6 ÷ BHP2.6...16	F0	47.6	22.2	M10x1.5	20	47.6	22.2	M10x1.5	13
BHP2.6...19 ÷ BHP2.6...44	F1	52.4	26.2	M10x1.5	25	47.6	22.2	M10x1.5	20



F2

规格 TYPE	进油口 INLET			出油口 OUTLET		
	A	B	C	a	b	c
BHP2.6...6 ÷ BHP2.6...16	55	20	M8	55	13	M8
BHP2.6...19 ÷ BHP2.6...44	55	25	M8	55	20	M8

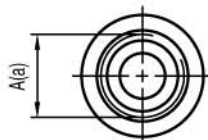


Z0/Z1/Z2

规格 TYPE	油口代号 PORTS CODE	进油口 INLET	出油口 OUTLET
		A	a
BHP2.6...6 ÷ BHP2.6...14	Z0	M22x1.5	M18x1.5
BHP2.6...16 ÷ BHP2.6...19	Z1	M27x2	M22x1.5
BHP2.6...22 ÷ BHP2.6...44	Z2	M33x2	M27x2

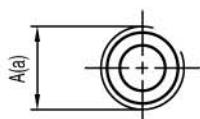
## BHP2.6

### 油口/PORTS



U0/U1

规格 TYPE	油口代号 PORTS CODE	进油口 INLET	出油口 OUTLET
		A	a
BHP2.6...6 ÷ BHP2.6...22	U0	1 1/16-12 UNF	7/8-14 UNF
BHP2.6...25 ÷ BHP2.6...44	U1	1 5/16-12 UNF	1 1/16-12 UNF



L0/L1

规格 TYPE	油口代号 PORTS CODE	进油口 INLET	出油口 OUTLET
		A	a
BHP2.6...6 ÷ BHP2.6...22	L0	G3/4	G1/2
BHP2.6...25 ÷ BHP2.6...44	L1	G 1	G3/4



R0/R1

规格 TYPE	油口代号 PORTS CODE	进油口 INLET	出油口 OUTLET
		A	a
BHP2.6...10 ÷ BHP2.6...22	R0	PT3/4	PT1/2
BHP2.6...25 ÷ BHP2.6...44	R1	PT 1	PT3/4

# BDP2.5

## 如何订购/ HOW TO ORDER

BD	P	2.5	前盖 Front cover	旋向 Rotation	规格 Size	轴伸 Shaft	油口 Ports	油口位置 Ports position	油封 Seals	可选项 Options
系列号 Series	P- 齿轮泵 Pump	组别 Group	A0	D 顺时针转 Clockwise	23 25					
				S 逆时针转 Counter clockwise	26.5 28 30					
				R 可正反转 Reversible	32 36 40					

### 油口位置

省略-侧进侧出  
A-前进前出  
B-后进前出  
C-后进侧出  
D-侧进前出  
R-后进后出

### Ports position

Omit-Side inlet and side outlet  
A-Front inlet and front outlet  
B-Back inlet and front outlet  
C-Back inlet and side outlet  
D-Side inlet and front outlet  
R-Back inlet and back outlet

### 油封

省略-温度范围在-10℃~+80℃,进油口最高绝对压力为3bar。  
V-适用于高温介质, 温度范围在-10℃~+120℃。  
H-适用于低温介质, 温度范围在-40℃~+80℃。  
T-适用于进油口最大绝对压力3-6bar。  
N-适用于进油口最大绝对压力3-10bar。

### Seals

Omit-Range between -10℃ and +80℃,inlet pressure up to max. 3 bar absolute.  
V-Version suitable for fluid at hi-temperatures, range between -10℃ and +120℃.  
H-Version suitable for fluid at low-temperatures, range between -40℃ and +80℃.  
T-Version suitable for inlet pressure up to max. 3 and 6 bar absolute.  
N-Version suitable for inlet pressure up to max. 3 and 10 bar absolute.

### 范例/ Examples:

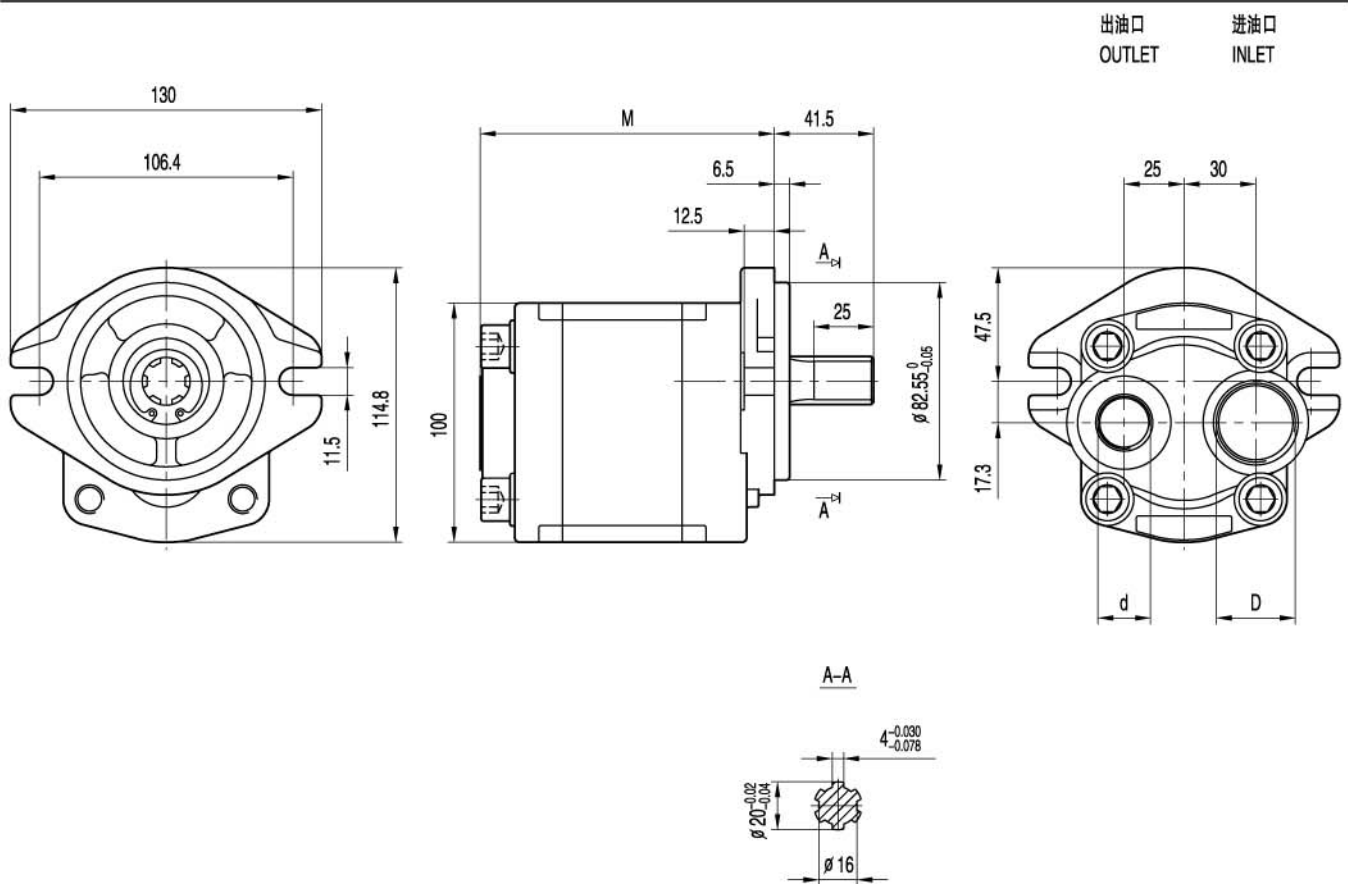
- BDP2.5-A0-D-23-C0-Z0-R = 顺时针转, 排量 23 cc/rev, A0 前盖, C0 圆柱轴伸, Z0 安装油口, 油口位置 R, 标准油封  
clockwise rotation, 23 cc/rev, A0 front cover, C0 parallel shaft, setting ports Z0 type, Ports position (R),standard seals
- BDP2.5-A0-D-23-H1-L0-R = 顺时针转, 排量 23 cc/rev, A0 前盖, H1 矩形花键轴伸, L0 安装油口, 油口位置 R, 标准油封  
clockwise rotation, 23 cc/rev, A0 front cover, H1 rectangle splined shaft, setting ports L0 type, Ports position (R),standard seals
- BDP2.5-A0-D-23-S3-F0-N = 顺时针转, 排量 23 cc/rev, A0 前盖, S3 SAE B 13齿轴伸, F0 安装油口,高压油封(N)  
clockwise rotation, 23 cc/rev, A0 front cover, SAE B splined 13T shaft(S3), setting ports F0 type, high pressure seals(N)

# BDP2.5A0-R



G 1 螺纹深 21,  
G 1/2 螺纹深 16,  
安装泵时, n.4 M12 螺钉扭矩设定为  
75...80 Nm.

G 1 thread depth 21,  
G 1/2 thread depth 16,  
To mount the pump, n.4 M12 screws,  
with a torque wrench setting fixed  
at 75...80 Nm.



出油口      进油口  
OUTLET      INLET

规格 Type	排量 Displacement (cm <sup>3</sup> /rev)	最大压力 Max pressure			最高转速 Max. speed (r/min)	最低转速 Min. speed (r/min)	尺寸 Dimensions		
		P1 bar	P2 bar	P3 bar			M mm	D	d
BDP2.5A0-D-23-R	23	230	250	260	3500	600	118	G 1	G 1/2
BDP2.5A0-D-25-R	25	230	250	260	3500	600	120	G 1	G 1/2
BDP2.5A0-D-26.5-R	26.5	230	250	260	3500	600	122	G 1	G 1/2
BDP2.5A0-D-28-R	28	230	250	260	3500	600	124	G 1	G 1/2
BDP2.5A0-D-30-R	30	230	250	260	3000	600	126	G 1	G 1/2
BDP2.5A0-D-32-R	32	200	230	250	3000	600	129	G 1	G 1/2
BDP2.5A0-D-36-R	36	200	230	250	2750	500	133	G 1	G 1/2
BDP2.5A0-D-40-R	40	160	180	200	2500	500	138	G 1	G 1/2



# BDP2.5A0

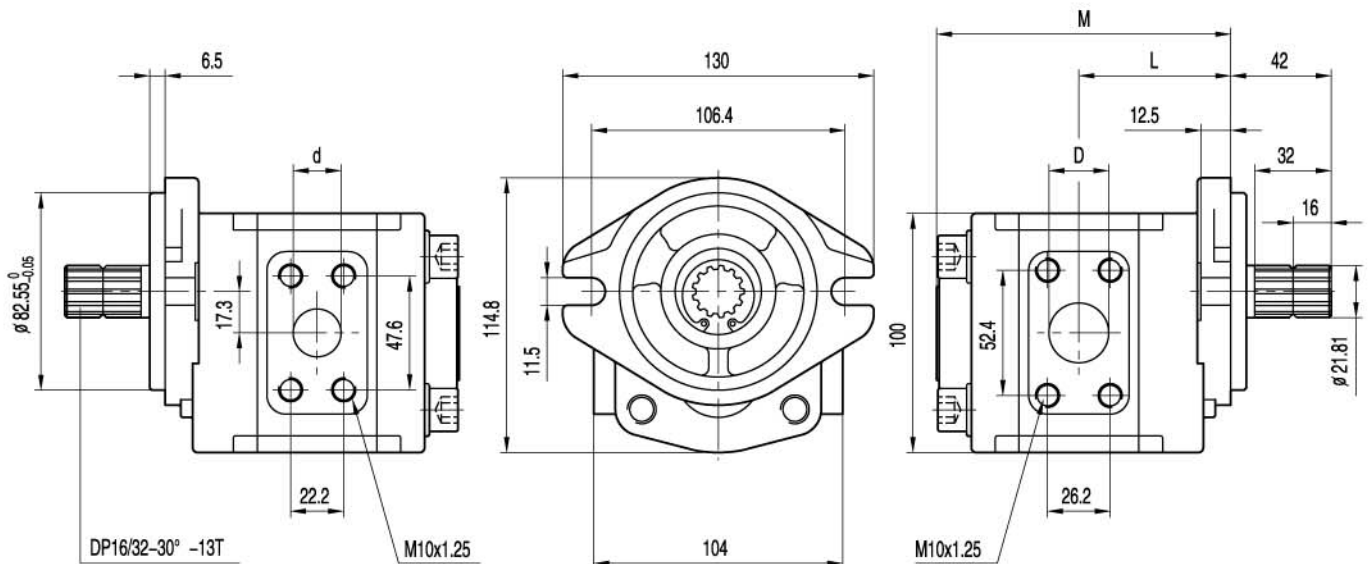


M10x1.25 螺纹深 15,  
安装泵时, n.4 M12 螺钉扭矩设定为  
75...80 Nm.

M10x1.25 thread depth 15,  
To mount the pump, n.4 M12 screws,  
with a torque wrench setting fixed  
at 75...80 Nm.

出油口  
OUTLET

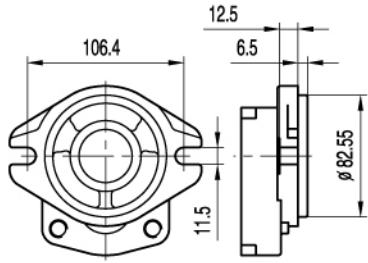
进油口  
INLET



规格 Type	排量 Displacement  (cm <sup>3</sup> /rev)	最大压力 Max pressure			最高转速 Max. speed  (r/min)	最低转速 Min. speed  (r/min)	尺寸 Dimensions			
		P1 bar	P2 bar	P3 bar			M mm	L mm	D mm	d mm
BDP2.5A0-D-23	23	230	250	260	3500	600	118	60.5	25	20
BDP2.5A0-D-25	25	230	250	260	3500	600	120	61.8	25	20
BDP2.5A0-D-26.5	26.5	230	250	260	3500	600	122	62.8	25	20
BDP2.5A0-D-28	28	230	250	260	3500	600	124	63.8	25	20
BDP2.5A0-D-30	30	230	250	260	3000	600	126	64.8	25	20
BDP2.5A0-D-32	32	200	230	250	3000	600	129	66.3	25	20
BDP2.5A0-D-36	36	200	230	250	2750	500	133	68.3	25	20
BDP2.5A0-D-40	40	160	180	200	2500	500	138	70.8	28	20

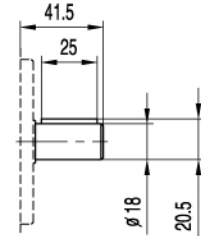
# BDP2.5

## 前盖/Front COVER



A0

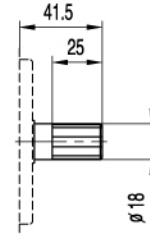
## 轴伸/SHAFTS



6

C0

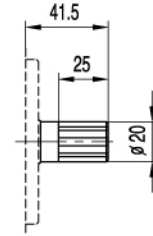
最大扭矩  
Max.Torque 180 Nm



4-18x15x5

H0

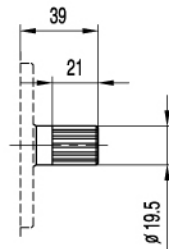
最大扭矩  
Max.Torque 200 Nm



6-20x16x4

H1

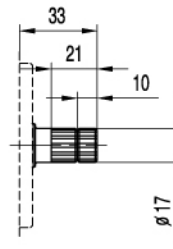
最大扭矩  
Max.Torque 240 Nm



EXT12Z-1.5m-30°

S0

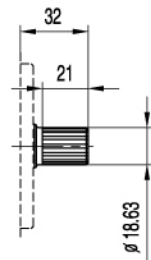
最大扭矩  
Max.Torque 220 Nm



DP16/32-30° -10T

S1

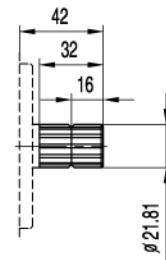
最大扭矩  
Max.Torque 200 Nm



DP16/32-30° -11T

S2

最大扭矩  
Max.Torque 210 Nm



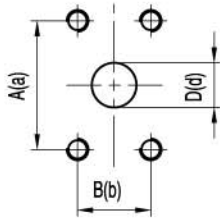
DP16/32-30° -13T

S3

最大扭矩  
Max.Torque 300 Nm

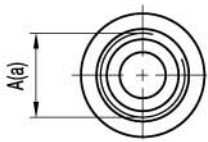
# BDP2.5

## 油口/PORTS



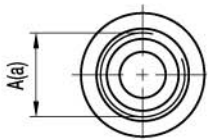
F0

规格 TYPE	进油口 INLET				出油口 OUTLET			
	A	B	C	D	a	b	c	d
BDP2.5...23 ÷ BDP2.5...36	52.4	26.2	M10x1.25	25	47.6	22.2	M10x1.25	20
BDP2.5...40	52.4	26.2	M10x1.25	28	47.6	22.2	M10x1.25	20



L0

规格 TYPE	进油口 INLET	出油口 OUTLET
	A	a
BDP2.5...23 ÷ BDP2.5...40	G 1	G 1/2



Z0

规格 TYPE	进油口 INLET	出油口 OUTLET
	A	a
BDP2.5...23 ÷ BDP2.5...40	M33x2	M22x1.5

# BHP3 [BHM3]

## 如何订购/ HOW TO ORDER

BH	P	3	前盖 Front cover	旋向 Rotation	规格 Size	轴伸 Shaft	油口 Ports	油口位置 Ports position	油封 Seals	可选项 Options
系列号 Series	P- 齿轮泵 Pump M- 齿轮马达 Motor	组别 Group	B0 B1 A0 A1	D 顺时针转 Clockwise S 逆时针转 Counter clockwise R 可正反转 Reversible	20 22 26 33 39 46 50 52 55 63 71					可选项/ Options 排油管/ Drain Q0-内部排油 /internal drain Q1-外部排油 /external drain G3/8 Q2-外部排油 / external drain 3/4-16 UNF Q3-外部排油 / external drain G1/4 Q4-外部排油 / external drain 9/16-18 UNF

### 油口位置

省略-侧进侧出  
A-前进前出  
B-后进前出  
C-后进侧出  
D-侧进前出  
R-后进后出

### Ports position

Omit-Side inlet and side outlet  
A-Front inlet and front outlet  
B-Back inlet and front outlet  
C-Back inlet and side outlet  
D-Side inlet and front outlet  
R-Back inlet and back outlet

### 油封

省略-温度范围在-10℃~+80℃,进油口最高绝对压力为3bar。  
V-适用于高温介质, 温度范围在-10℃~+120℃。  
H-适用于低温介质, 温度范围在-40℃~+80℃。  
T-适用于进油口最大绝对压力3-6bar。  
N-适用于进油口最大绝对压力3-10bar。

### Seals

Omit-Range between -10℃ and +80℃,inlet pressure up to max. 3 bar absolute.  
V-Version suitable for fluid at hi-temperatures, range between -10℃ and +120℃.  
H-Version suitable for fluid at low-temperatures, range between -40℃ and +80℃.  
T-Version suitable for inlet pressure up to max. 3 and 6 bar absolute.  
N-Version suitable for inlet pressure up to max. 3 and 10 bar absolute.

### 范例/ Examples:

BHP3-B0-D-20-C0-F0= 顺时针转, 排量 20 cc/rev, B0 前盖, C0 圆柱轴伸, F0 安装油口, 标准油封  
clockwise rotation, 20 cc/rev, B0 front cover, C0 parallel shaft, setting ports F0 type, standard seals  
BHP3-B1-D-20-T0-E0= 顺时针转, 排量 20 cc/rev, B1 前盖, T0 1:8锥形轴伸, E0 安装油口, 标准油封  
clockwise rotation, 20 cc/rev, B1 front cover, 1:8 tapered shaft(T0), setting ports E0 type, standard seals  
BHP3-A0-D-20-C2-F4-N= 顺时针转, 排量 20 cc/rev, A0 前盖, C2 圆柱轴伸, F4 安装油口, 高压油封(N)  
clockwise rotation, 20 cc/rev, A0 front cover, C2 parallel shaft, setting ports F4 type, high pressure seals(N)

# BHP3B0

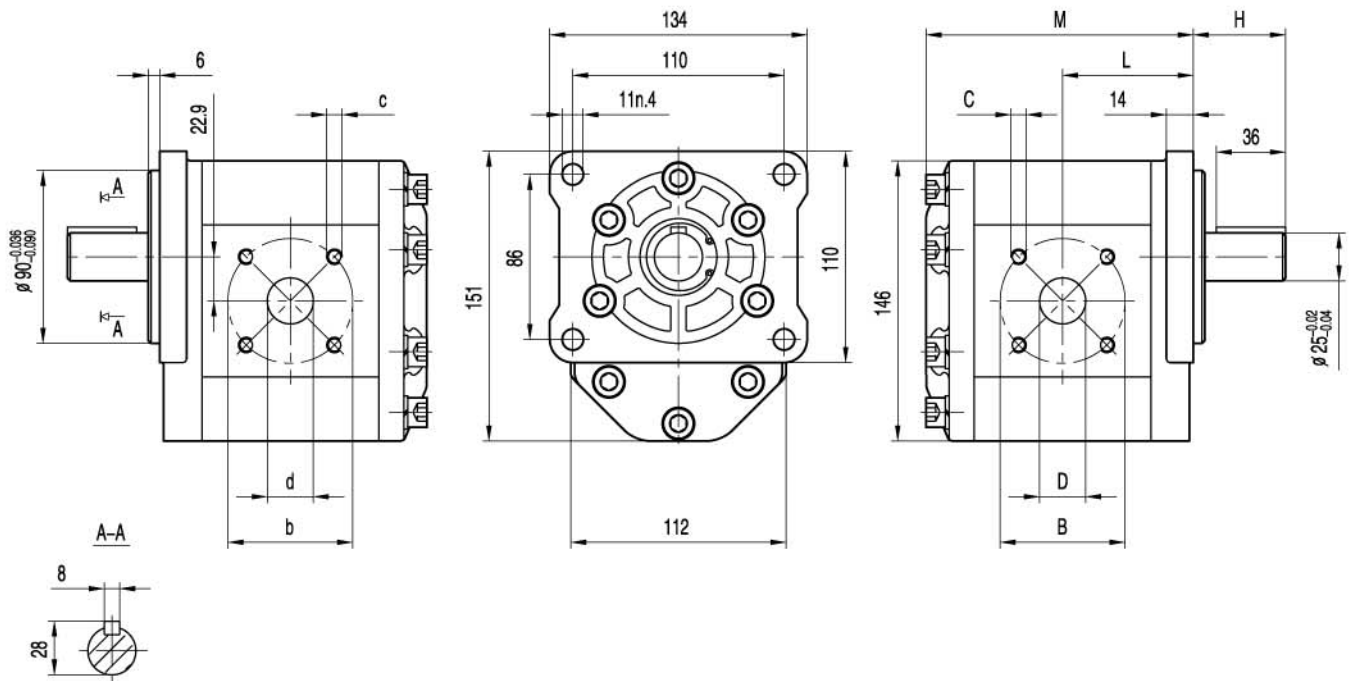


M10 螺纹深 18.  
M8 螺纹深 16.  
安装泵时, n.8 M10 螺钉扭矩  
设定为  $47 \pm 3$  Nm.

M10 thread depth 18.  
M8 thread depth 16.  
To mount the pump, n.8 M10 screws,  
with a torque wrench setting fixed  
at  $47 \pm 3$  Nm.

出口  
OUTLET

进油口  
INLET



规格 Type	排量 Displacement ( $\text{cm}^3/\text{rev}$ )	最大压力 Max pressure			最高转速 Max. speed ( $\text{r}/\text{min}$ )	最低转速 Min. speed ( $\text{r}/\text{min}$ )	尺寸 Dimensions								
		P1 bar	P2 bar	P3 bar			M mm	L mm	H mm	B mm	D mm	C mm	b mm	d mm	c
BHP3B0-D-20	20	250	265	280	3500	600	128	63	48	50	20	M8	50	16.5	M8
BHP3B0-D-22	22	250	265	280	3500	600	130	64	48	50	20	M8	50	16.5	M8
BHP3B0-D-26	26	250	265	280	3000	600	133	65	48	50	20	M8	50	20	M8
BHP3B0-D-33	33	230	250	270	3000	500	139	68	48	65	25	M8	65	20	M8
BHP3B0-D-39	39	230	250	270	3000	500	146	72	48	65	25	M8	65	20	M8
BHP3B0-D-46	46	230	250	270	3000	500	152	75	48	65	25	M8	65	20	M8
BHP3B0-D-50	50	220	240	260	3000	500	156	77	51	76	33	M10	76	25	M10
BHP3B0-D-52	52	220	240	260	3000	500	158	78	51	76	33	M10	76	25	M10
BHP3B0-D-55	55	200	230	250	2800	400	160	79	51	76	33	M10	76	25	M10
BHP3B0-D-63	63	200	230	250	2800	400	168	83	51	76	33	M10	76	25	M10
BHP3B0-D-71	71	180	200	220	2500	400	175	86	51	76	33	M10	76	25	M10

# BHP3B1

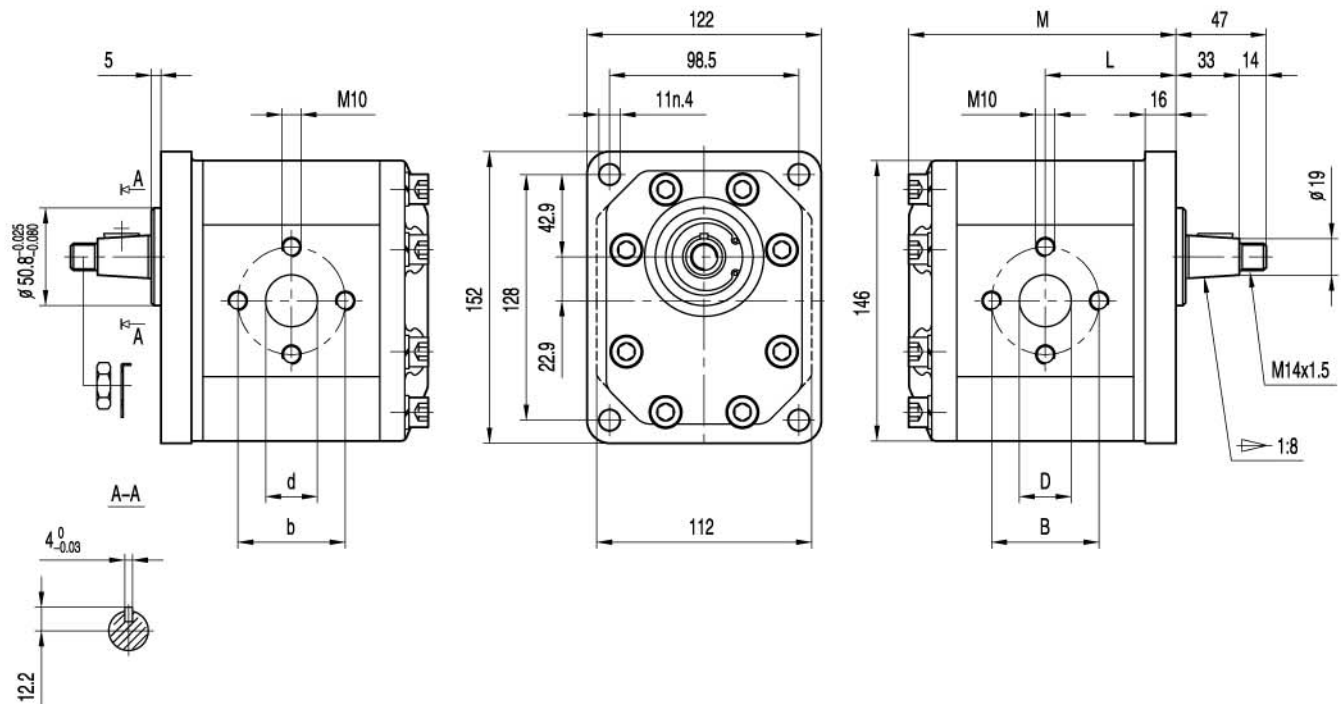


M10 螺纹深 18,  
安装泵时, n.8 M10 螺钉扭矩设定为  
47 ± 3 Nm.  
轴伸 M14x1.5 螺母扭矩设定为 80 Nm.

M10 thread depth 18,  
To mount the pump, n.8 M10 screws,  
with a torque wrench setting fixed  
at 47 ± 3 Nm.  
Shaft M14x1.5 nut, with a torque  
wrench setting fixed at 80 Nm.

出油口  
OUTLET

进油口  
INLET



规格 Type	排量 Displacement (cm <sup>3</sup> /rev)	最大压力 Max pressure			最高转速 Max. speed (r/min)	最低转速 Min. speed (r/min)	尺寸 Dimensions					
		P1 bar	P2 bar	P3 bar			M mm	L mm	B mm	D mm	b mm	d mm
BHP3B1-D-20	20	250	265	280	3500	600	128	63	56	27	56	19
BHP3B1-D-22	22	250	265	280	3500	600	130	64	56	27	56	19
BHP3B1-D-26	26	250	265	280	3000	600	133	65	56	27	56	19
BHP3B1-D-33	33	230	250	270	3000	500	139	68	56	27	56	19
BHP3B1-D-39	39	230	250	270	3000	500	146	72	56	27	56	19
BHP3B1-D-46	46	230	250	270	3000	500	152	75	51	27	51	27
BHP3B1-D-50	50	220	240	260	3000	500	156	77	56	27	56	27
BHP3B1-D-52	52	220	240	260	3000	500	158	78	56	27	56	27
BHP3B1-D-55	55	200	230	250	2800	400	160	79	62	33	51	27
BHP3B1-D-63	63	200	230	250	2800	400	168	83	62	33	51	27
BHP3B1-D-71	71	180	200	220	2500	400	175	86	62	33	51	27

# BHP3A0

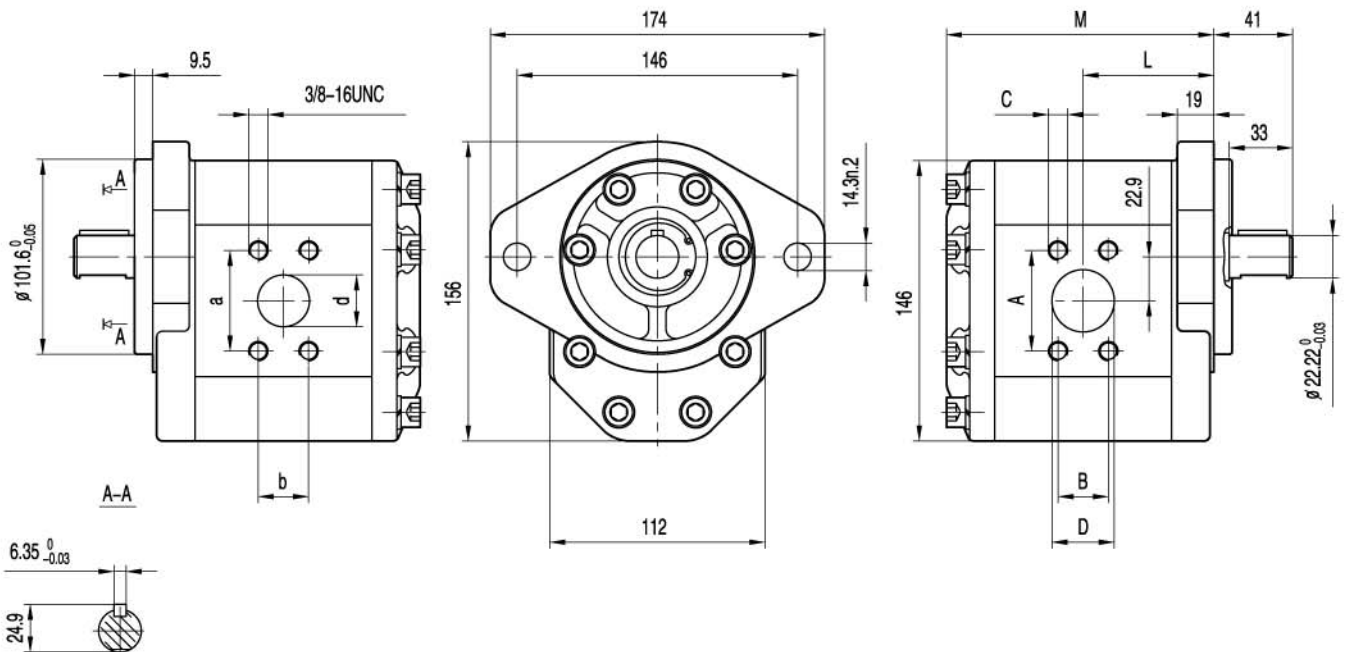


3/8-16 UNC 螺纹深 19.  
7/16-14UNC 螺纹深 19.  
安装泵时, n.8 M10 螺钉扭矩  
设定为 $47 \pm 3$  Nm.

3/8-16 UNC thread depth 19.  
7/16-14 UNC thread depth 19.  
To mount the pump, n.8 M10 screws,  
with a torque wrench setting fixed  
at  $47 \pm 3$  Nm.

出油口  
OUTLET

进油口  
INLET



规格 Type	排量 Displacement (cm <sup>3</sup> /rev)	最大压力 Max pressure			最高转速 Max. speed (r/min)	最低转速 Min. speed (r/min)	尺寸 Dimensions								
		P1 bar	P2 bar	P3 bar			M mm	L mm	A mm	B mm	C UNC	D mm	a mm	b mm	d mm
BHP3A0-D-20	20	250	265	280	3500	600	128	63	52.4	26.2	3/8	27	47.6	22.2	19
BHP3A0-D-22	22	250	265	280	3500	600	130	64	52.4	26.2	3/8	27	47.6	22.2	19
BHP3A0-D-26	26	250	265	280	3000	600	133	65	52.4	26.2	3/8	27	47.6	22.2	19
BHP3A0-D-33	33	230	250	270	3000	500	139	68	52.4	26.2	3/8	27	47.6	22.2	19
BHP3A0-D-39	39	230	250	270	3000	500	146	72	52.4	26.2	3/8	27	47.6	22.2	19
BHP3A0-D-46	46	230	250	270	3000	500	152	75	52.4	26.2	3/8	27	47.6	22.2	19
BHP3A0-D-50	50	220	240	260	3000	500	156	77	52.4	26.2	3/8	27	47.6	22.2	19
BHP3A0-D-52	52	220	240	260	3000	500	158	78	52.4	26.2	3/8	27	47.6	22.2	19
BHP3A0-D-55	55	200	230	250	2800	400	160	79	58.7	30.2	7/16	33	52.4	26.2	27
BHP3A0-D-63	63	200	230	250	2800	400	168	83	58.7	30.2	7/16	33	52.4	26.2	27
BHP3A0-D-71	71	180	200	220	2500	400	175	86	58.7	30.2	7/16	33	52.4	26.2	27

# BHP3A1

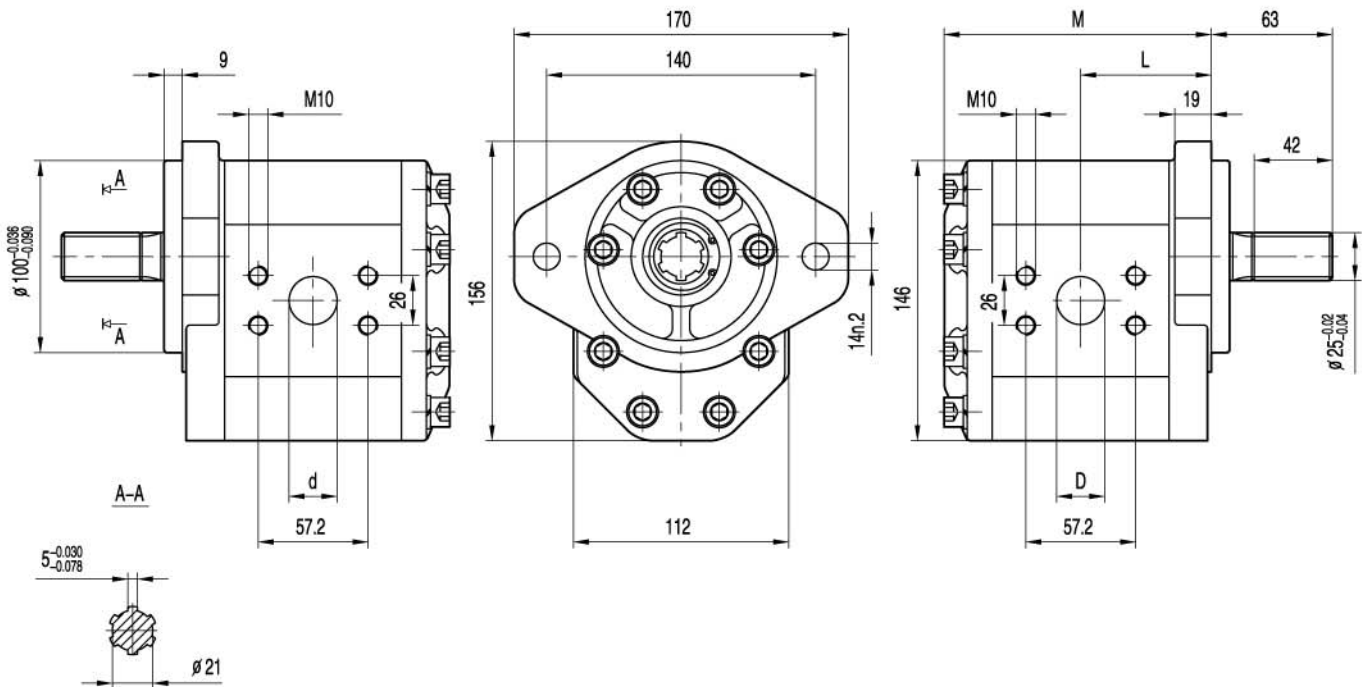


M10 螺纹深 16.  
安装泵时, n.8 M10 螺钉扭矩  
设定为  $47 \pm 3$  Nm.

M10 thread depth 19.  
To mount the pump, n.8 M10 screws,  
with a torque wrench setting fixed  
at  $47 \pm 3$  Nm.

出油口  
OUTLET

进油口  
INLET



规格 Type	排量 Displacement	最大压力 Max pressure			最高转速 Max. speed	最低转速 Min. speed	尺寸 Dimensions			
		P1	P2	P3			M	L	D	d
	( $\text{cm}^3/\text{rev}$ )	bar	bar	bar	( $r/\text{min}$ )	( $r/\text{min}$ )	mm	mm	mm	mm
BHP3A1-D-20	20	250	265	280	3500	600	128	63	25	20
BHP3A1-D-25	25	250	265	280	3000	600	133	65	25	20
BHP3A1-D-32	32	230	250	270	3000	500	139	68	30	20
BHP3A1-D-40	40	230	250	270	3000	500	146	72	35	20
BHP3A1-D-50	50	220	240	260	3000	500	156	77	35	25
BHP3A1-D-63	63	200	230	250	2800	400	168	83	35	25

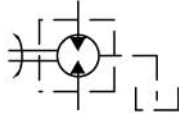


# BHM3B1



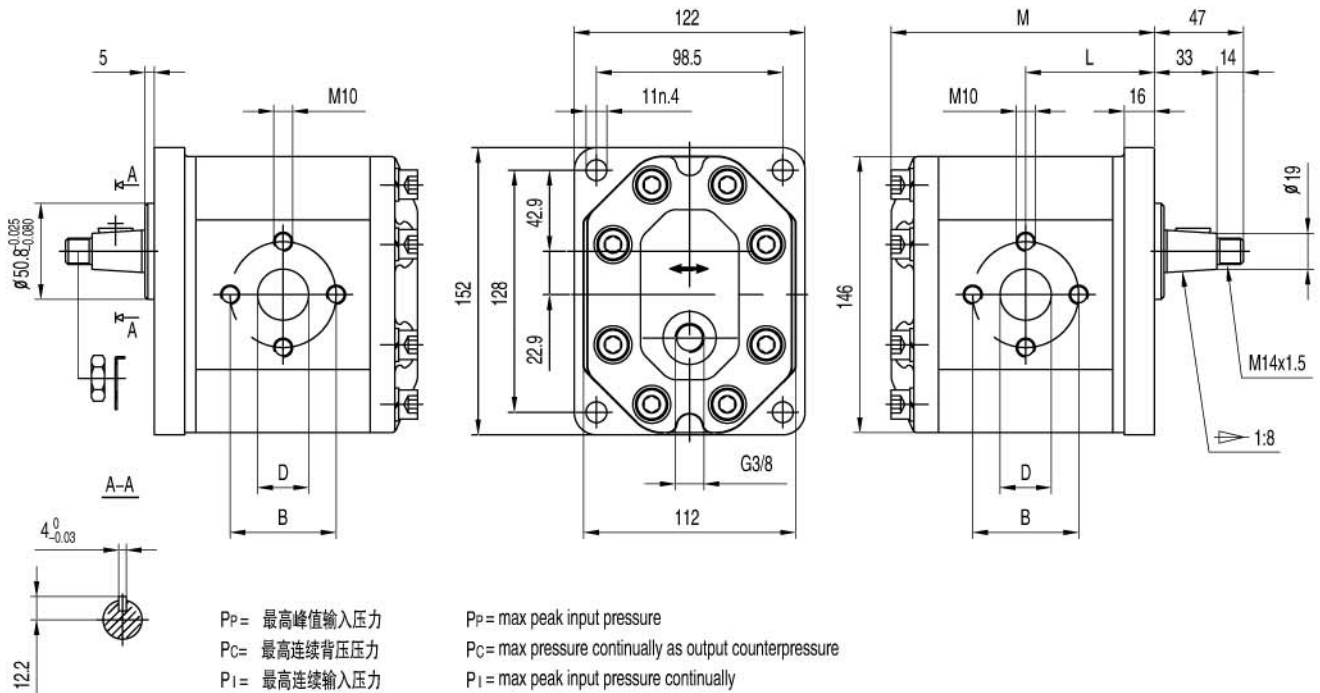
M10 螺纹深 18,  
安装泵时, n.8 M10 螺钉扭矩设定为  
47 ± 3 Nm.  
轴伸M14x1.5螺母扭矩设定为 80 Nm.

M10 thread depth 18,  
To mount the pump, n.8 M10 screws,  
with a torque wrench setting fixed  
at 47 ± 3Nm.  
Shaft M14x1.5 nut, with a torque  
wrench setting fixed at 80 Nm.



出油口  
OUTLET

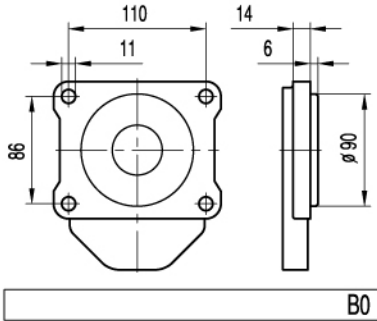
进油口  
INLET



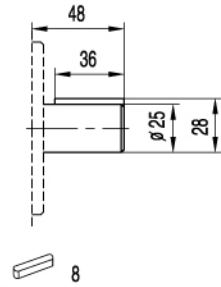
规格 Type	排量 Displacement (cm <sup>3</sup> /rev)	最大压力 Max pressure			最高转速 Max. speed (r/min)	最低转速 Min. speed (r/min)	尺寸 Dimensions			
		P <sub>I</sub> bar	P <sub>C</sub> bar	P <sub>P</sub> bar			M mm	L mm	B mm	D mm
BHM3B1-R-20	20	280	265	290	3500	600	128	63	56	27
BHM3B1-R-22	22	280	265	290	3500	600	130	64	56	27
BHM3B1-R-26	26	280	265	290	3000	600	133	65	56	27
BHM3B1-R-33	33	270	250	280	3000	500	139	68	56	27
BHM3B1-R-39	39	270	250	280	3000	500	146	72	56	27
BHM3B1-R-46	46	270	250	280	3000	500	152	75	51	27
BHM3B1-R-50	50	260	240	270	3000	500	156	77	56	27
BHM3B1-R-52	52	260	240	270	3000	500	158	78	56	27
BHM3B1-R-55	55	250	230	260	2800	400	160	79	62	33
BHM3B1-R-63	63	250	230	260	2800	400	168	83	62	33
BHM3B1-R-71	71	220	200	230	2500	400	175	86	62	33

# BHP3

## 前盖/Front Cover

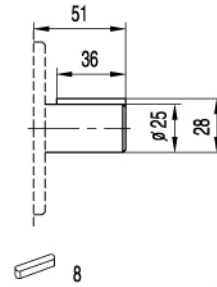


## 轴伸/Shafts



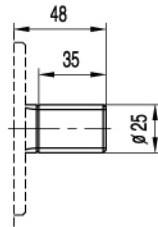
8 **C0**

最大扭矩  
Max.Torque 450 Nm



8 **C1**

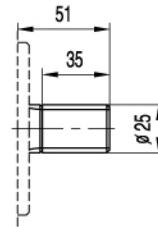
最大扭矩  
Max.Torque 450 Nm



┌ 6-25x20.1x6

**H0**

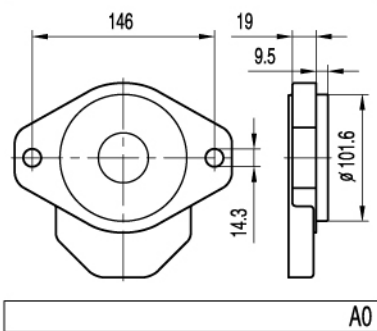
最大扭矩  
Max.Torque 500 Nm



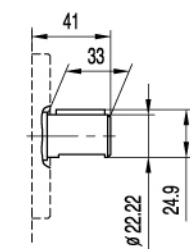
┌ 6-25x20.1x6

**H1**

最大扭矩  
Max.Torque 500 Nm



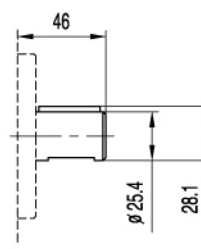
**A0**



6.35

**C2**

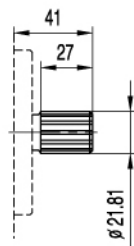
最大扭矩  
Max.Torque 400 Nm



6.35

**C3**

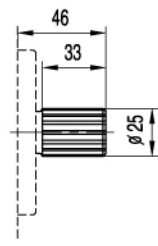
最大扭矩  
Max.Torque 450 Nm



DP16/32-30° -13T

**S0**

最大扭矩  
Max.Torque 500 Nm



DP16/32-30° -15T

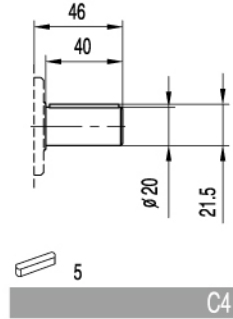
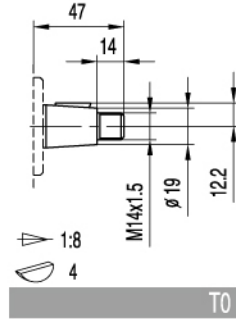
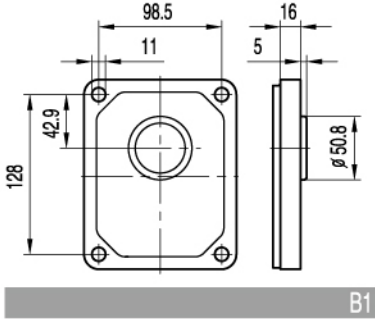
**S1**

最大扭矩  
Max.Torque 600 Nm

# BHP3

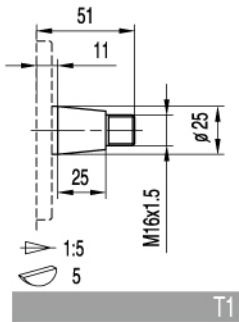
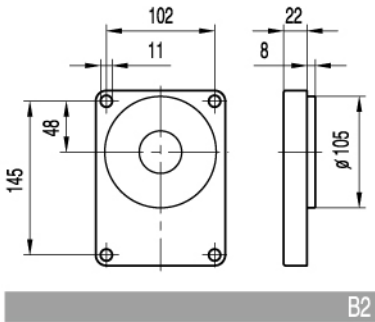
## 前盖/FRONT COVER

## 轴伸/SHAFTS

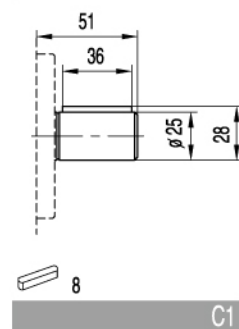
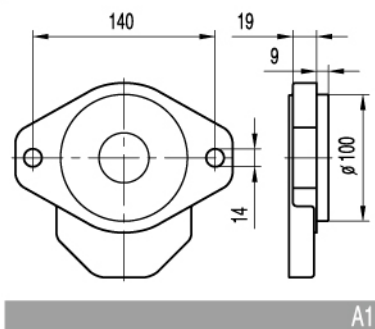


最大扭矩  
Max.Torque 300 Nm

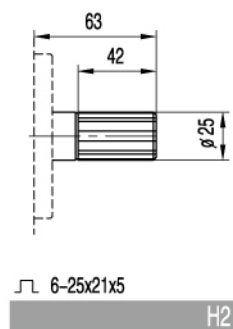
最大扭矩  
Max.Torque 350 Nm



最大扭矩  
Max.Torque 350 Nm



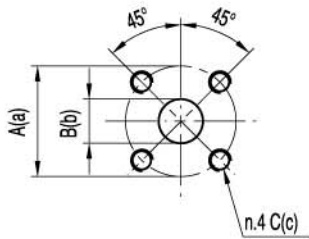
最大扭矩  
Max.Torque 450 Nm



最大扭矩  
Max.Torque 500 Nm

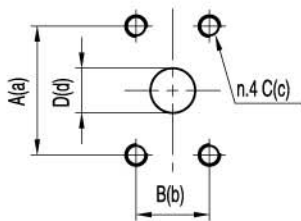
# BHP3

## 油口/PORTS



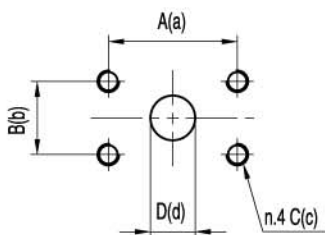
F0/F1/F2/F3

规格 TYPE	油口代号 PORTS CODE	进油口 INLET			出油口 OUTLET		
		A	B	C	a	b	c
BHP3...20 ÷ BHP3...26	F0	50	20	M8	50	20	M8
BHP3...33 ÷ BHP3...46	F1	65	25	M8	65	20	M8
BHP3...50 ÷ BHP3...71	F2	76	33	M10	76	25	M10
BHP3...50 ÷ BHP3...63	F3	76	33	M8	76	25	M8



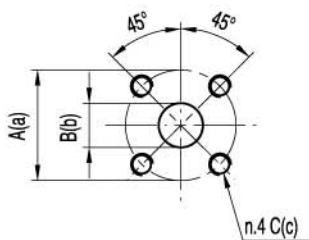
F4/F5

规格 TYPE	油口代号 PORTS CODE	进油口 INLET				出油口 OUTLET			
		A	B	C	D	a	b	c	d
BHP3...20 ÷ BHP3...52	F4	52.4	26.2	3/8-16UNC	27	47.6	22.2	3/8-16UNC	19
BHP3...55 ÷ BHP3...71	F5	58.7	30.2	7/16-14UNC	33	52.4	26.2	3/8-16UNC	27



F6

规格 TYPE	进油口 INLET				出油口 OUTLET			
	A	B	C	D	a	b	c	d
BHP3...20 ÷ BHP3...25	57.2	26	M10	25	57.2	26	M10	20
BHP3...32	57.2	26	M10	30	57.2	26	M10	20
BHP3...40	57.2	26	M10	35	57.2	26	M10	20
BHP3...50 ÷ BHP3...63	57.2	26	M10	35	57.2	26	M10	25

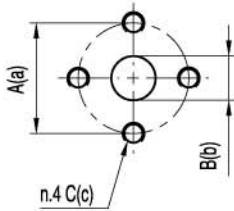


F7

规格 TYPE	进油口 INLET			出油口 OUTLET		
	A	B	C	a	b	c
BHP3...20 ÷ BHP3...71	55	27	M8	55	19	M8

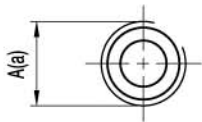
# BHP3

## 油口/PORTS



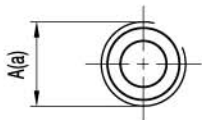
E0/E1/E2/E3

规格 TYPE	油口代号 PORTS CODE	进油口 INLET			出油口 OUTLET		
		A	B	C	a	b	c
BHP3...20 ÷ BHP3...39	E0	56	27	M10	56	19	M10
BHP3...46	E1	51	27	M10	51	27	M10
BHP3...50 ÷ BHP3...52	E2	56	27	M10	56	27	M10
BHP3...55 ÷ BHP3...71	E3	62	33	M10	51	27	M10



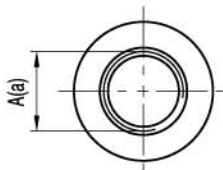
L0/L1/L2/L3

规格 TYPE	油口代号 PORTS CODE	进油口 INLET	出油口 OUTLET
		A	a
BHP3...20 ÷ BHP2...22	L0	G3/4	G3/4
BHP3...26 ÷ BHP2...39	L1	G 1	G3/4
BHP3...46 ÷ BHP2...63	L2	G1 1/4	G 1
BHP3...71	L3	G1 1/2	G1 1/4



R0/R1/R2/R3

规格 TYPE	油口代号 PORTS CODE	进油口 INLET	出油口 OUTLET
		A	a
BHP3...20 ÷ BHP2...22	R0	PT3/4	PT3/4
BHP3...26 ÷ BHP2...39	R1	PT 1	PT3/4
BHP3...46 ÷ BHP2...63	R2	PT1 1/4	PT 1
BHP3...71	R3	PT1 1/2	PT1 1/4



U0/U1/U2

规格 TYPE	油口代号 PORTS CODE	进油口 INLET	出油口 OUTLET
		A	a
BHP3...20 ÷ BHP3...33	U0	1 5/16-12UNF	1 1/16-12UNF
BHP3...39 ÷ BHP3...52	U1	1 5/8-12UNF	1 1/16-12UNF
BHP3...55 ÷ BHP3...71	U2	1 7/8-12UNF	1 5/16-12UNF

# BAP3.5

## 如何订购/ HOW TO ORDER

BA	P	3.5	前盖 Front cover	旋向 Rotation	规格 Size	轴伸 Shaft	油口 Ports	油口位置 Ports position	油封 Seals	可选项 Options
系列号 Series	P- 齿轮泵 Pump	组别 Group	Q0	D 顺时针转 Clockwise	40 50					
			Q1	S 逆时针转 Counter clockwise	63 71					
			A0	R 可正反转 Reversible	80 90					
			A1		100					

### 油口位置

省略-侧进侧出  
A-前进前出  
B-后进前出  
C-后进侧出  
D-侧进前出  
R-后进后出

### Ports position

Omit-Side inlet and side outlet  
A-Front inlet and front outlet  
B-Back inlet and front outlet  
C-Back inlet and side outlet  
D-Side inlet and front outlet  
R-Back inlet and back outlet

### 油封

省略-温度范围在-10℃~+80℃,进油口最高绝对压力为3bar。  
V-适用于高温介质, 温度范围在-10℃~+120℃。  
H-适用于低温介质, 温度范围在-40℃~+80℃。  
T-适用于进油口最大绝对压力3-6bar。  
N-适用于进油口最大绝对压力3-10bar。

### Seals

Omit-Range between -10°C and +80°C, inlet pressure up to max. 3 bar absolute.  
V-Version suitable for fluid at hi-temperatures, range between -10°C and +120°C.  
H-Version suitable for fluid at low-temperatures, range between -40°C and +80°C.  
T-Version suitable for inlet pressure up to max. 3 and 6 bar absolute.  
N-Version suitable for inlet pressure up to max. 3 and 10 bar absolute.

### 范例/ Examples:

- BAP3.5-Q0-D-40-C0-F0 = 顺时针转, 排量 40 cc/rev, Q0 前盖, C0 圆柱轴伸, F0 安装油口, 标准油封  
clockwise rotation, 40 cc/rev, Q0 front cover, C0 parallel shaft, setting ports F0 type, standard seals
- BAP3.5-Q1-D-40-S3-F2 = 顺时针转, 排量 40 cc/rev, Q1 前盖, S3 14齿花键轴伸, F2 安装油口, 标准油封  
clockwise rotation, 40 cc/rev, Q1 front cover, splined shaft 14T(S3), setting ports F2 type, standard seals
- BAP3.5-A0-D-50-C1-F5 = 顺时针转, 排量 50 cc/rev, A0 前盖, C1 圆柱轴伸, F5 安装油口, 标准油封  
clockwise rotation, 50 cc/rev, A0 front cover, C1 parallel shaft, setting ports F5 type, standard seals

# BAP3.5Q0

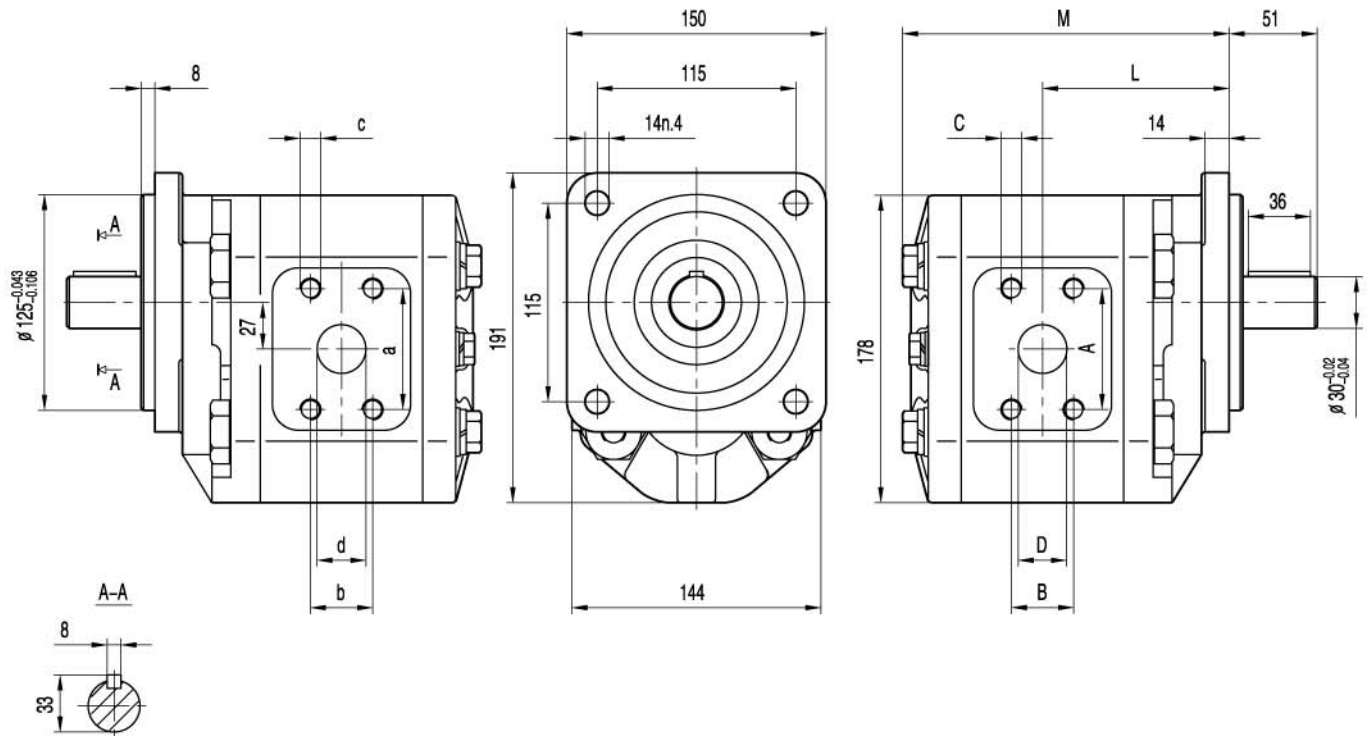


M8 螺纹深 16.  
M10 螺纹深 20.  
M12 螺纹深 20.  
安装泵时, n.4 M14 螺钉扭矩  
设定为  $185 \pm 5$  Nm.

M8 thread depth 16.  
M10 thread depth 20.  
M12 thread depth 20.  
To mount the pump, n.4 M14 screws,  
with a torque wrench setting fixed  
at  $185 \pm 5$  Nm.

出口  
OUTLET

进油口  
INLET



规格 Type	排量 Displacement	最大压力 Max pressure			最高转速 Max. speed	最低转速 Min. speed	尺寸 Dimensions									
		P1	P2	P3			M	L	A	B	C	D	a	b	c	d
	( $\text{cm}^3/\text{rev}$ )	bar	bar	bar	( $\text{r}/\text{min}$ )	( $\text{r}/\text{min}$ )	mm	mm	mm	mm	mm	mm	mm	mm	mm	mm
BAP3.5Q0-D-40	40	250	265	280	2750	600	189	108	48	22	M8	20	48	22	M8	20
BAP3.5Q0-D-50	50	250	265	280	2750	600	195	111	52	26	M10	25	48	22	M8	20
BAP3.5Q0-D-63	63	250	265	280	2750	500	203	115	60	30	M10	32	52	26	M10	25
BAP3.5Q0-D-71	71	230	250	270	2500	500	208	117	70	36	M12	35	60	30	M10	32
BAP3.5Q0-D-80	80	230	250	270	2500	500	213	120	70	36	M12	35	60	30	M10	32
BAP3.5Q0-D-90	90	200	230	250	2500	500	219	123	70	36	M12	40	60	30	M10	32
BAP3.5Q0-D-100	100	200	230	250	2500	500	225	126	70	36	M12	40	60	30	M10	32

# BAP3.5Q1

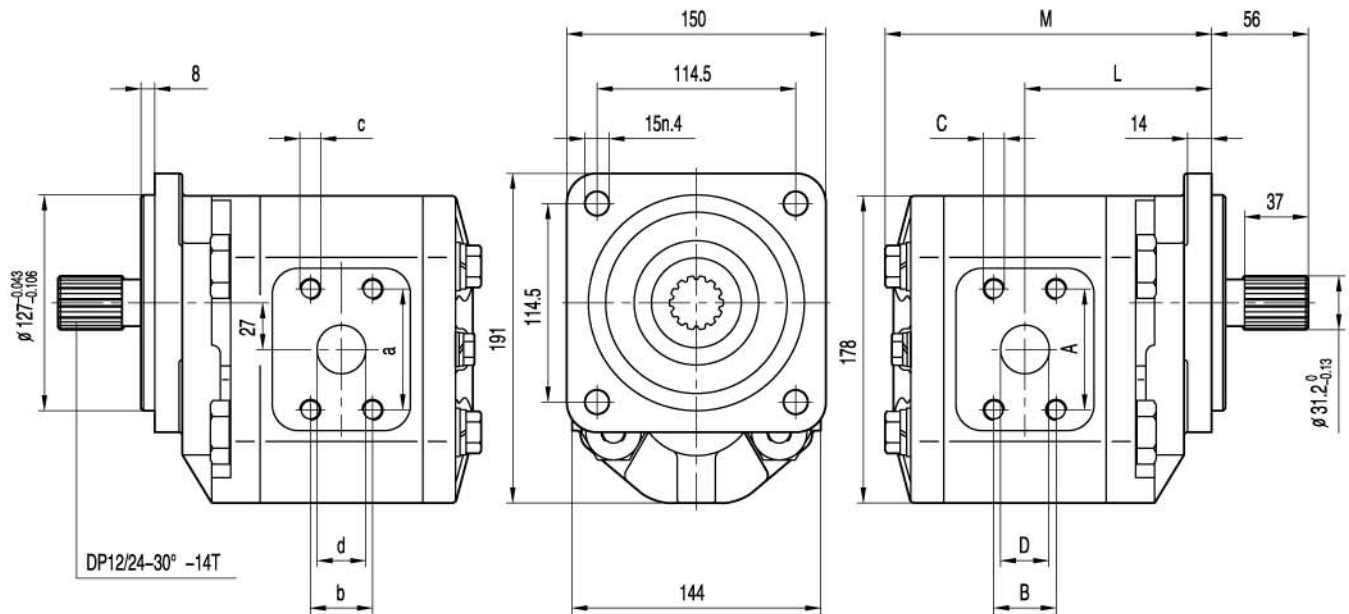


M8 螺纹深 16.  
M12 螺纹深 20.  
安装泵时, n.4 M14 螺钉扭矩  
设定为 $185 \pm 5$  Nm.

M8 thread depth 16.  
M12 thread depth 20.  
To mount the pump, n.4 M14 screws,  
with a torque wrench setting fixed  
at  $185 \pm 5$  Nm.

出油口  
OUTLET

进油口  
INLET



规格 Type	排量 Displacement	最大压力 Max pressure			最高转速 Max. speed	最低转速 Min. speed	尺寸 Dimensions									
		P1	P2	P3			M	L	A	B	C	D	a	b	c	d
	(cm <sup>3</sup> /rev)	bar	bar	bar	(r/min)	(r/min)	mm	mm	mm	mm	mm	mm	mm	mm	mm	mm
BAP3.5Q1-D-40	40	250	265	280	2750	600	189	108	60	30	M10	32	52	26	M10	25
BAP3.5Q1-D-50	50	250	265	280	2750	600	195	111	60	30	M10	32	52	26	M10	25
BAP3.5Q1-D-63	63	250	265	280	2750	500	203	115	60	30	M10	32	52	26	M10	25
BAP3.5Q1-D-71	71	230	250	270	2500	500	208	117	70	36	M12	35	60	30	M10	32
BAP3.5Q1-D-80	80	230	250	270	2500	500	213	120	70	36	M12	35	60	30	M10	32
BAP3.5Q1-D-90	90	200	230	250	2500	500	219	123	70	36	M12	40	60	30	M10	32
BAP3.5Q1-D-100	100	200	230	250	2500	500	225	126	70	36	M12	40	60	30	M10	32



# BAP3.5A0[BAP3.5A1]

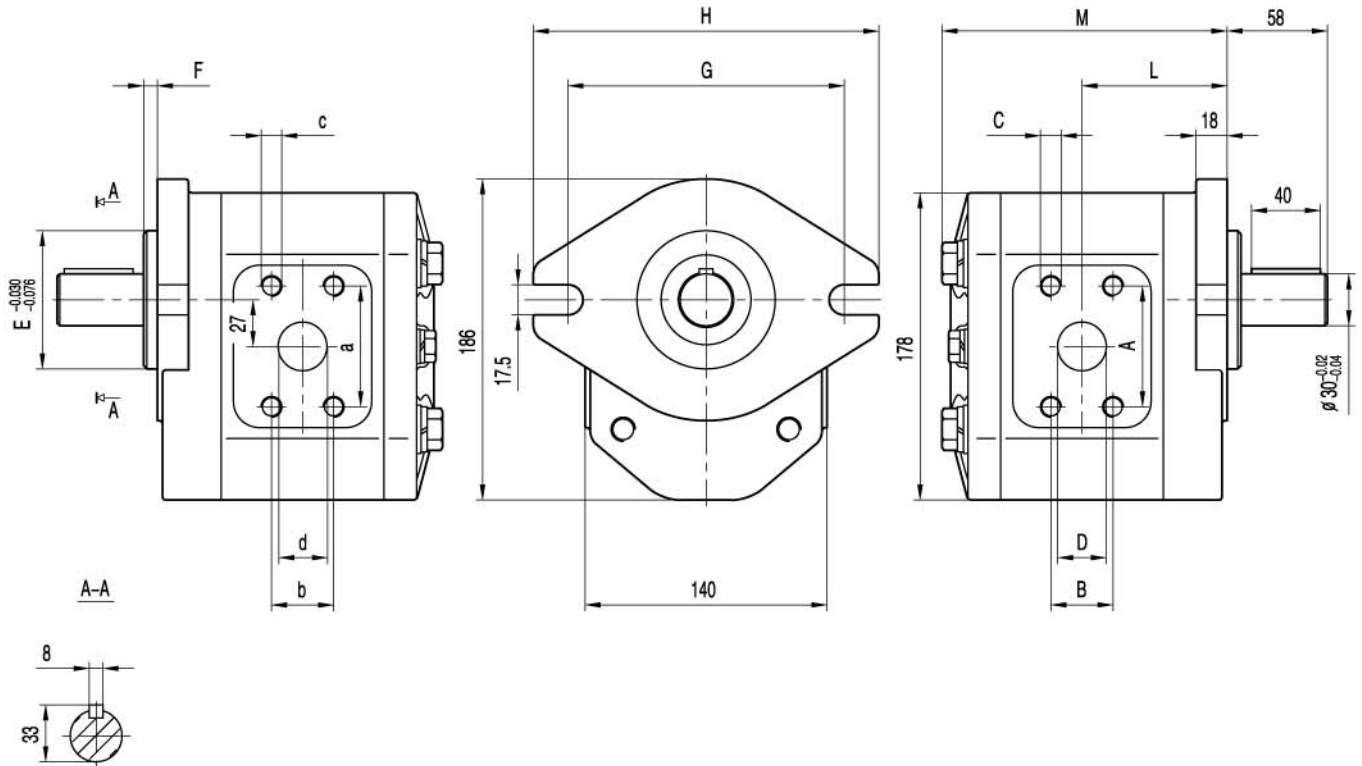


M8 螺纹深 16.  
M12 螺纹深 20.  
安装泵时, n.4 M14 螺钉扭矩  
设定为  $145 \pm 5$  Nm.

M8 thread depth 16.  
M12 thread depth 20.  
To mount the pump, n.4 M14 screws,  
with a torque wrench setting fixed  
at  $145 \pm 5$  Nm.

压油口  
OUTLET

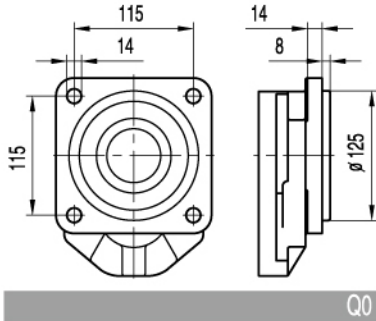
进油口  
INLET



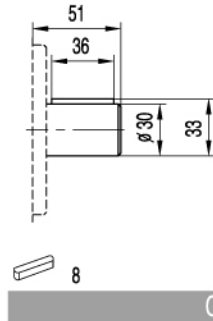
规格 Type	排量 Displacement	最大压力 Max pressure			最高转速 Max. speed	最低转速 Min. speed	尺寸 Dimensions													
		P1	P2	P3			M	L	E	F	G	H	A	B	C	D	a	b	c	d
	(cm <sup>3</sup> /rev)	bar	bar	bar	(r/min)	(r/min)	mm	mm	mm	mm	mm	mm	mm	mm	mm	mm	mm	mm	mm	
BAP3.5A0-D-50	50	250	265	280	2750	600	171	87	80	8	160	200	60	30	M10	32	52	26	M8	25
BAP3.5A0-D-63	63	250	265	280	2750	500	179	91	80	8	160	200	60	30	M10	32	52	26	M8	25
BAP3.5A0-D-71	71	230	250	270	2500	500	184	93	80	8	160	200	60	36	M10	35	60	36	M10	28
BAP3.5A0-D-80	80	230	250	270	2500	500	189	96	80	8	160	200	60	36	M10	35	60	36	M10	28
BAP3.5A0-D-90	90	200	230	250	2500	500	195	99	80	8	160	200	60	36	M10	40	60	36	M10	32
BAP3.5A1-D-100	100	200	230	250	2500	500	201	102	127	6.3	180	215	60	36	M10	40	60	36	M10	32

# BAP3.5

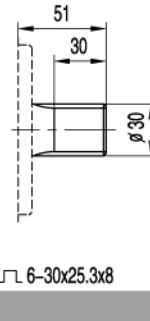
## 前盖/Front Cover



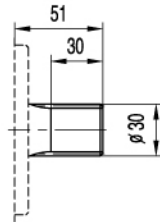
## 轴伸/Shafts



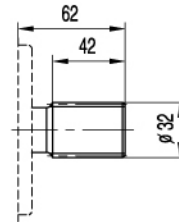
8  
C0  
最大扭矩  
Max. Torque 600 Nm



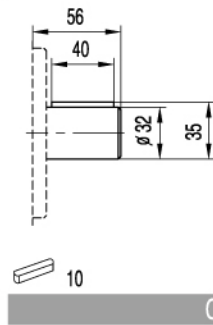
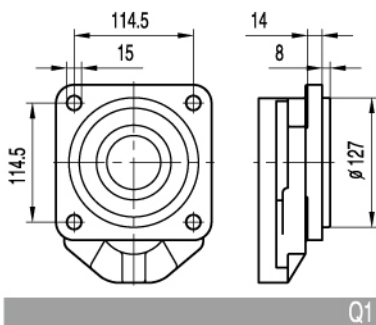
6-30x25.3x8  
H0  
最大扭矩  
Max. Torque 720 Nm



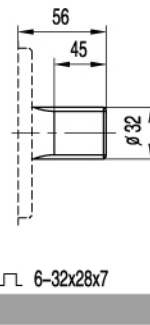
m2-30° -14T  
S0  
最大扭矩  
Max. Torque 900 Nm



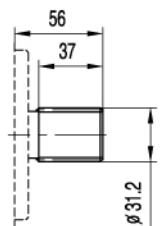
m2-30° -15T  
S1  
最大扭矩  
Max. Torque 980 Nm



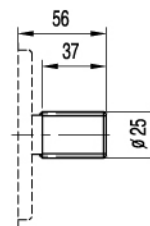
10  
C2  
最大扭矩  
Max. Torque 650 Nm



6-32x28x7  
H2  
最大扭矩  
Max. Torque 800 Nm



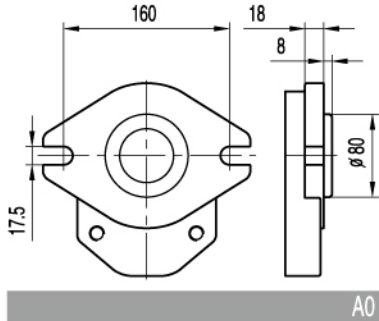
DP12/24-30° -14T  
S3  
最大扭矩  
Max. Torque 920 Nm



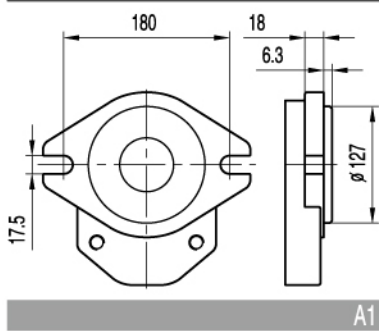
DP16/32-30° -15T  
S4  
最大扭矩  
Max. Torque 600 Nm

# BAP3.5

## 前盖/Front COVER

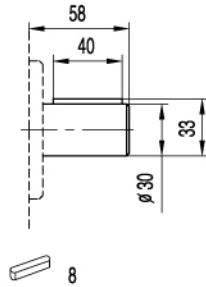


A0



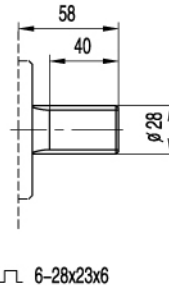
A1

## 轴伸/SHAFTS



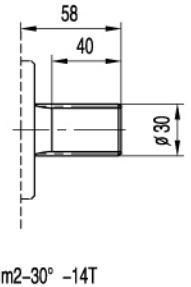
C1

最大扭矩  
Max.Torque 600 Nm



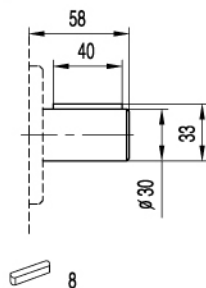
H1

最大扭矩  
Max.Torque 600 Nm



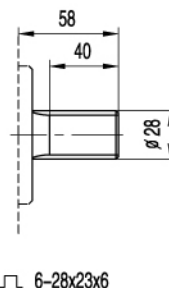
S2

最大扭矩  
Max.Torque 900 Nm



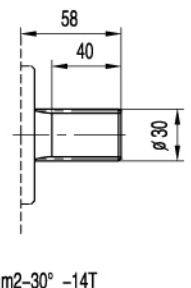
C1

最大扭矩  
Max.Torque 600 Nm



H1

最大扭矩  
Max.Torque 600 Nm

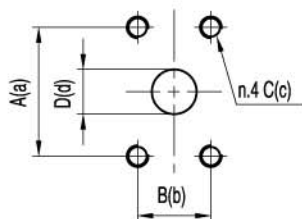


S2

最大扭矩  
Max.Torque 900 Nm

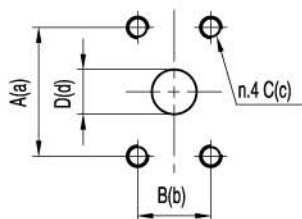
# BAP3.5

## 油口/PORTS



F0/F1/F2/F3/F4

规格 TYPE	油口代号 PORTS CODE	进油口 INLET				出油口 OUTLET			
		A	B	C	D	a	b	c	d
BAP3.5...40	F0	48	22	M8	20	48	22	M8	20
BAP3.5...50	F1	52	26	M10	25	48	22	M8	20
BAP3.5...40 ÷ BAP3.5...63	F2	60	30	M10	32	52	26	M10	25
BAP3.5...71 ÷ BAP3.5...80	F3	70	36	M12	35	60	30	M10	32
BAP3.5...90 ÷ BAP3.5...100	F4	70	36	M12	40	60	30	M10	32



F5/F6

规格 TYPE	油口代号 PORTS CODE	进油口 INLET				出油口 OUTLET			
		A	B	C	D	a	b	c	d
BAP3.5...50 ÷ BAP3.5...63	F5	60	30	M10	32	52	26	M8	25
BAP3.5...71 ÷ BAP3.5...80	F6	60	36	M10	35	60	36	M10	28
BAP3.5...90 ÷ BAP3.5...100		60	36	M10	40	60	36	M10	32

## 多联泵 MULTIPLE PUMPS

### 如何订购/ HOW TO ORDER

BH	P	2/2/2	前盖 Front cover	旋向 Rotation	16/16/6	轴伸 Shaft	油口 Ports	油口位置 Ports position	油封 Seals	可选项 Options
系列号 Series	P- 齿轮泵 Pump	组别 Group	A0	D 顺时针转 Clockwise	规格 Size					
			B0	S 逆时针转 Counter clockwise	3					
			B1		4					
			B2	R 可正反转 Reversible	6					
			Q0		8					
			Q1		10					
			Q2		12					
					14					
					16					
					18					
					20					
					22					
					25					
					28					
					30					

#### 多联泵概述/MULTIPLE PUMPS COMBTNATION

Reduced inlets provide overall systems savings by reducing the cost of redundant inlet hose and fittings.

For other combinations please consult our sales department

#### 油封

省略-温度范围在-10℃~+80℃,进油口最高绝对压力为3bar。

V-适用于高温介质, 温度范围在-10℃~+120℃。

H-适用于低温介质, 温度范围在-40℃~+80℃。

T-适用于进油口最大绝对压力3-6bar。

N-适用于进油口最大绝对压力3-10bar。

#### Seals

Omit-Range between -10℃ and +80℃,inlet pressure up to max. 3 bar absolute.

V-Version suitable for fluid at hi-temperatures, range between -10℃ and +120℃.

H-Version suitable for fluid at low-temperatures, range between -40℃ and +80℃.

T-Version suitable for inlet pressure up to max. 3 and 6 bar absolute.

N-Version suitable for inlet pressure up to max. 3 and 10 bar absolute.

#### 范例/ Examples:

BHP2/2/2-B0-D-16/16/6-T0-E0 = 顺时针转, 第2组, 前泵排量16cc/rev,中间泵排量16cc/rev,后泵排量6cc/rev, B0前盖, T0 1:8锥形轴伸, E0安装油口, 标准油封  
clockwise rotation, group 2, front pump 16 cc/rev, middle pump 16 cc/rev, rear pump 6 cc/rev, B0 front cover,  
1:8 tapered shaft(T0), setting ports E0 type, standard seals

BHP2/2-B0-D-16/16-T0-E0 = 顺时针转, 第2组, 前泵排量16cc/rev,后泵排量16cc/rev, B0前盖, T0 1:8锥形轴伸, E0安装油口, 标准油封  
clockwise rotation, group 2, front pump 16 cc/rev, rear pump 16 cc/rev, B0 front cover,  
1:8 tapered shaft(T0), setting ports E0 type, standard seals

BAP2/2-A0-D-25/16-C0-U0 = 顺时针转, 第2组, 前泵排量 25 cc/rev, 后泵排量 16 cc/rev, A0 前盖, C0 圆柱轴伸, U0 安装油口, 标准油封  
clockwise rotation, group 2, front pump 25 cc/rev, rear pump 16 cc/rev, A0 front cover, C0 parallel shaft,  
setting ports U0 type, standard seals

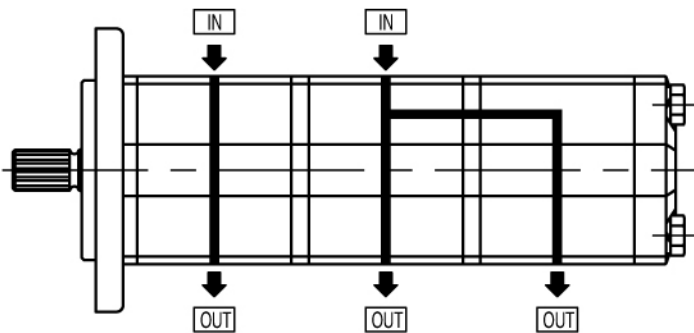
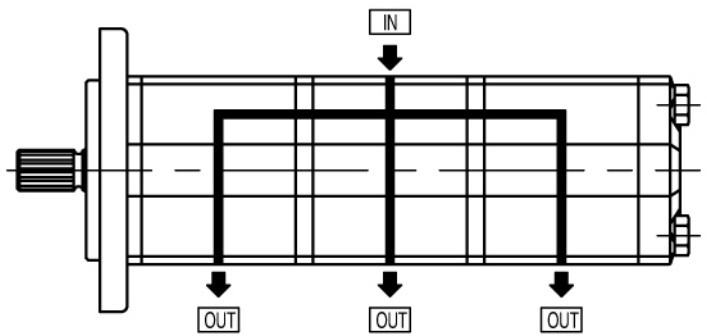
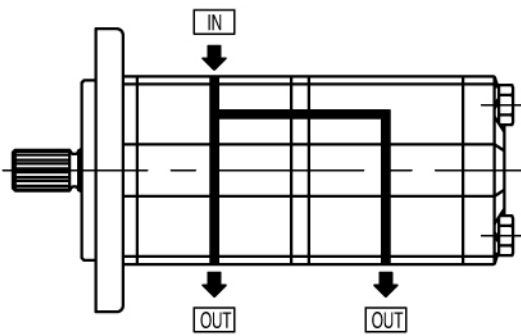
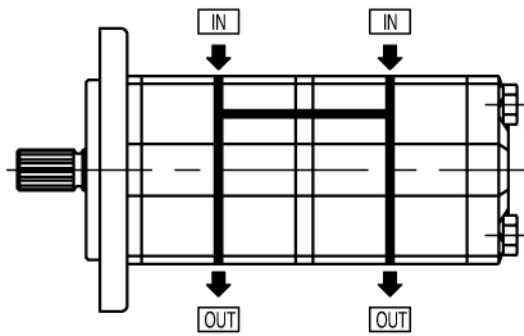
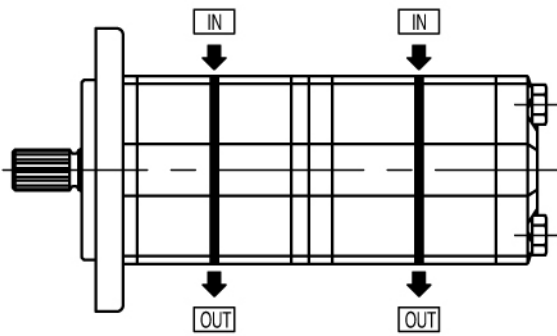
如何订购/HOW TO ORDER

油口位置/Ports position

- |         |                                 |
|---------|---------------------------------|
| 省略-侧进侧出 | Omit-Side inlet and side outlet |
| B-后进前出  | B-Back inlet and front outlet   |
| C-后进侧出  | C-Back inlet and side outlet    |
| D-侧进前出  | D-Side inlet and front outlet   |
| R-后进后出  | R-Back inlet and back outlet    |

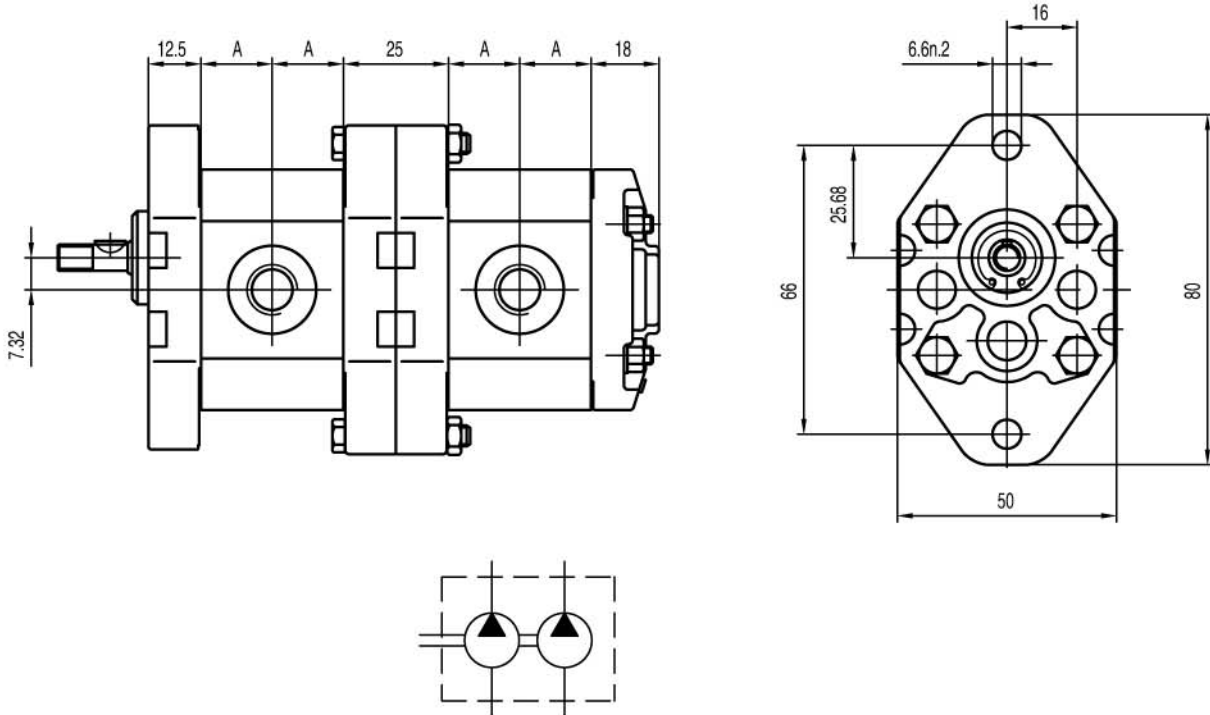
油口形式/Standard version

- |              |  |
|--------------|--|
| E-二进二出(不通油型) | E-two inlet and two outlet(separated type) |
| F-二进二出(通油型)  | F-two inlet and two outlet(common type)    |
| G-一进二出       | G-one inlet and two outlet                 |
| J-一进三出       | J-one inlet and three outlet               |
| K-二进三出       | K-two inlet and three outlet               |



# BKP0.5/0.5

## BKP0.5/0.5-E

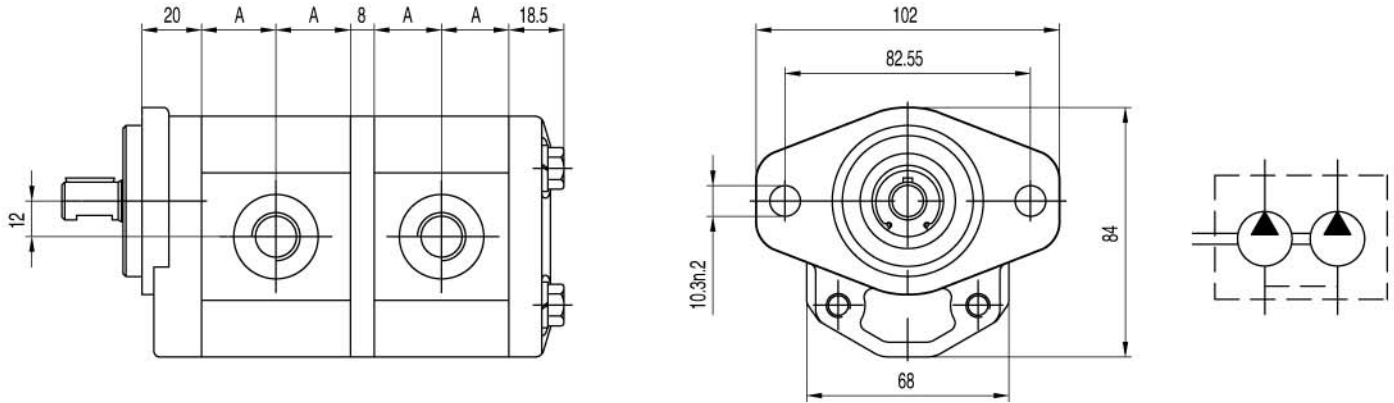


# BKP0.5

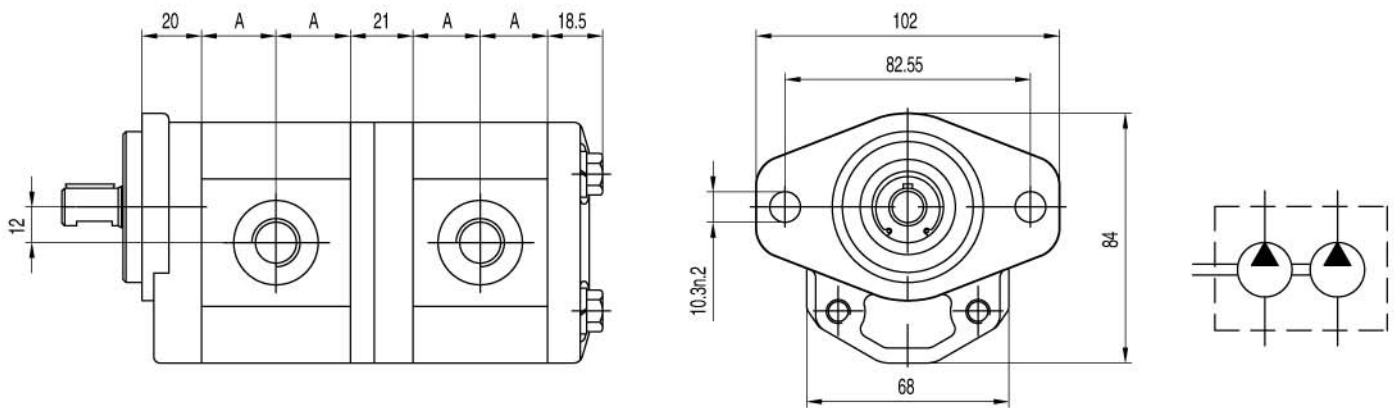
排量 Displacement	最大压力 Max pressure			最高转速 Max. speed	最低转速 Min. speed	尺寸 Dimensions
	P1	P2	P3			
(cm <sup>3</sup> /rev)	bar	bar	bar	(r/min)	(r/min)	A mm
0.19	200	230	250	7000	1000	14.8
0.26	200	230	250	7000	1000	15
0.38	200	230	250	7000	1000	15.5
0.50	200	230	250	7000	1000	16
0.65	200	230	250	7000	1000	16.5
0.75	200	230	250	7000	1000	17
0.88	200	230	250	7000	1000	17.5
1.00	200	230	250	6000	850	18
1.25	200	230	250	5000	700	19
1.50	200	230	250	4000	600	20
1.75	180	210	230	4000	600	21
2.00	160	190	210	3000	500	22

**BHP1/1 BKP1/1**

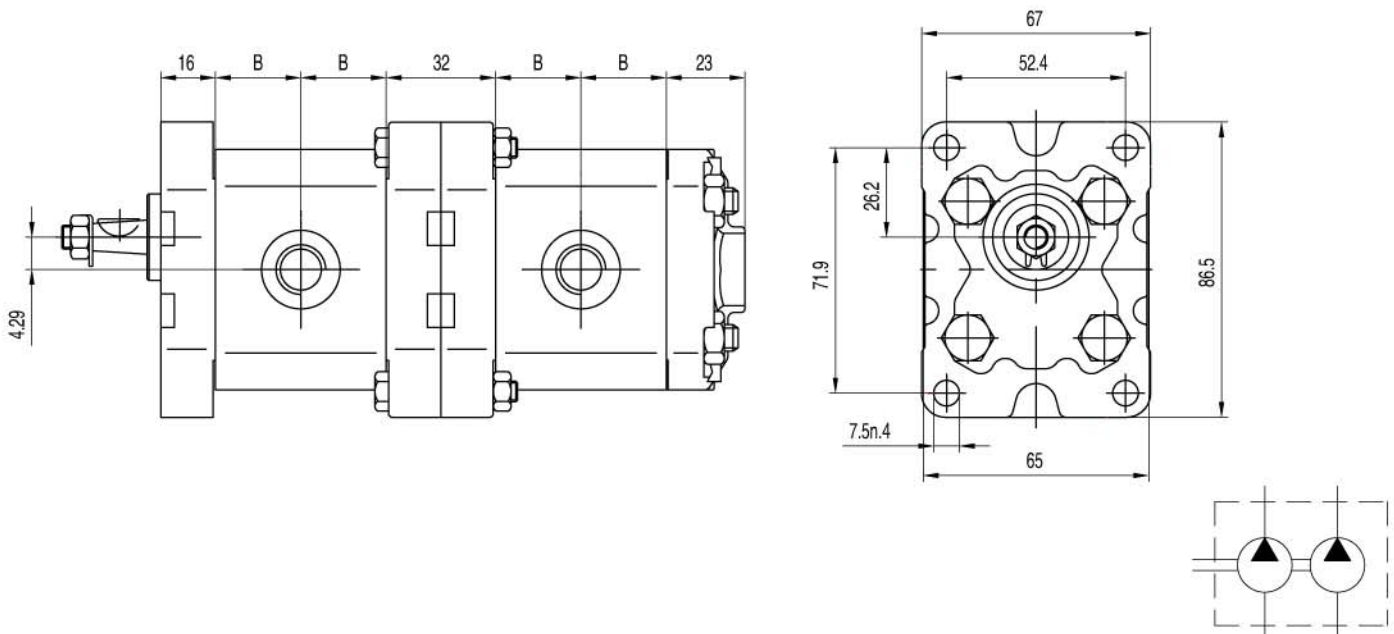
**BHP1/1-F**



**BHP1/1-E**



**BKP1/1-E**





# BHP1/1      BKP1/1

## BHP1

排量 Displacement	最大压力 Max pressure			最高转速 Max. speed	最低转速 Min. speed	尺寸 Dimensions A
	P1	P2	P3			
(cm <sup>3</sup> /rev)	bar	bar	bar	(r/min)	(r/min)	mm
1.4	250	270	290	6000	800	22
2.1	250	270	290	6000	800	23
2.8	250	270	290	5000	800	24
3.5	250	270	290	5000	800	25
4.1	250	270	290	4000	800	26
5.2	230	245	260	4000	800	27.5
6.2	230	245	260	3500	800	29
7.6	200	215	230	3000	600	31
9.3	180	195	210	2500	600	33.5
11.0	170	185	200	2500	600	36
13.8	150	165	180	2000	600	40

## BKP1

排量 Displacement	最大压力 Max pressure			最高转速 Max. speed	最低转速 Min. speed	尺寸 Dimensions B
	P1	P2	P3			
(cm <sup>3</sup> /rev)	bar	bar	bar	(r/min)	(r/min)	mm
0.8	230	250	270	6000	1000	17.8
1.1	230	250	270	6000	1000	18
1.3	230	250	270	6000	1000	18.5
1.6	230	250	270	6000	1000	19
1.8	230	250	270	6000	1000	19.5
2.1	230	250	270	6000	1000	20
2.7	230	250	270	6000	800	21
3.2	210	230	250	5000	800	22
3.7	210	230	250	4500	800	23
4.2	210	230	250	4000	800	24
4.8	190	210	230	3500	600	25
5.8	190	210	230	3000	600	27
7.0	160	180	200	2500	600	29
8.0	160	180	200	2100	600	31

**BHP2/2/2**

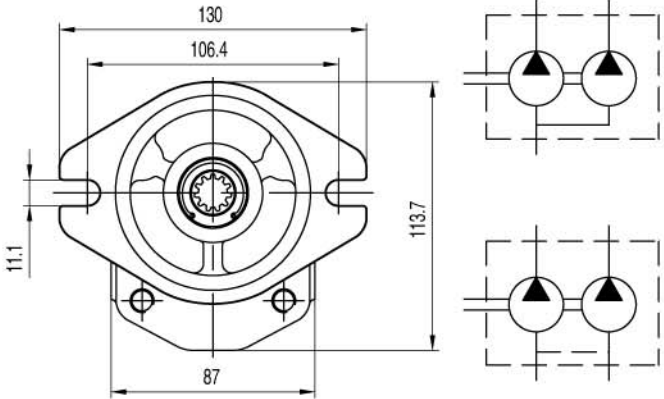
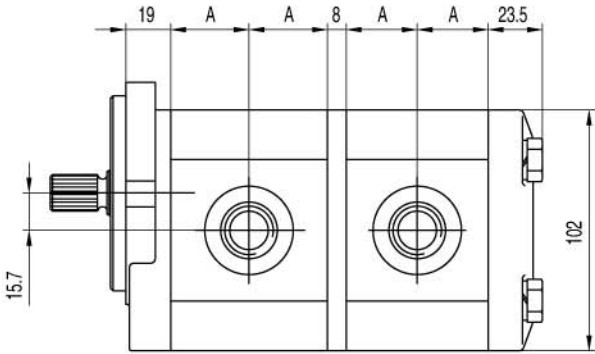
**BHP2/2**

**BHP2/1**

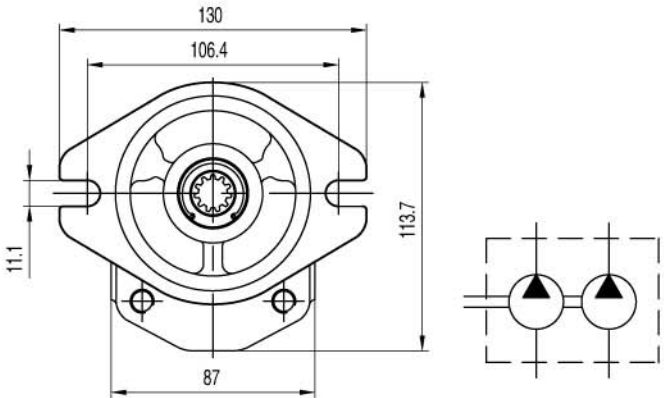
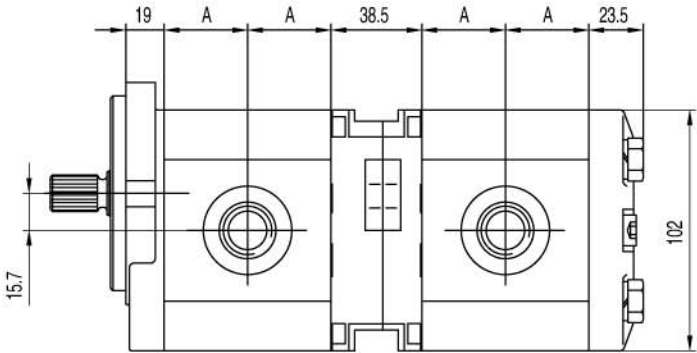
**BHP2/0.5**

**BHP2/2-Fa**

**BHP2/2-G**

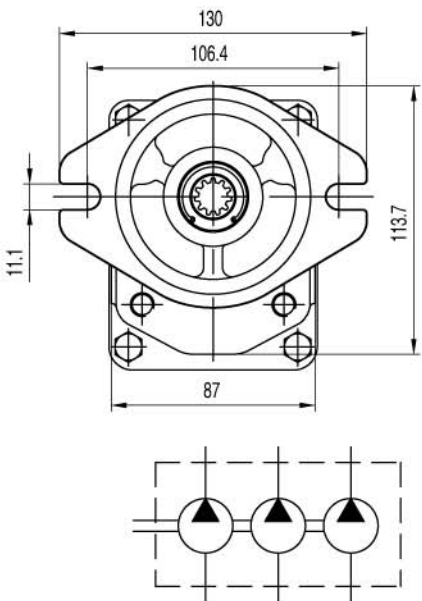
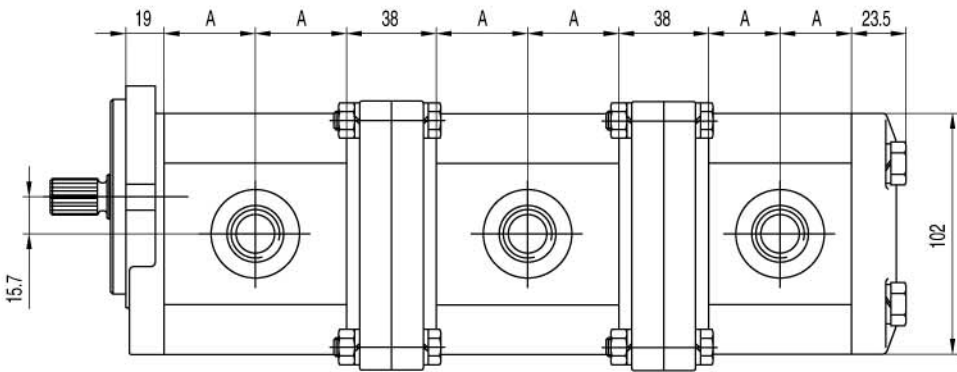


**BHP2/2-E**



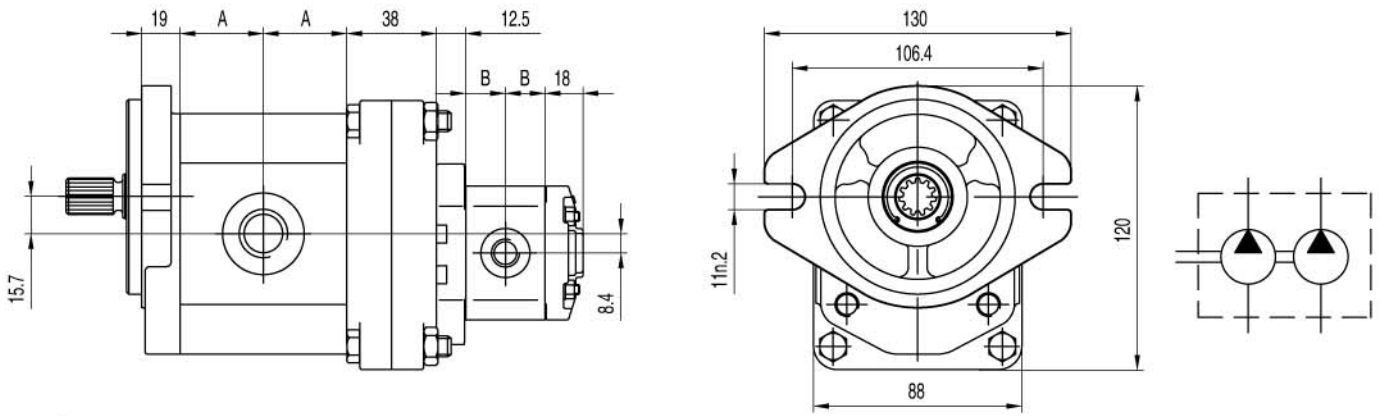
**BHP2/2/2-Ea**

**BHP2/2/2-Fb**

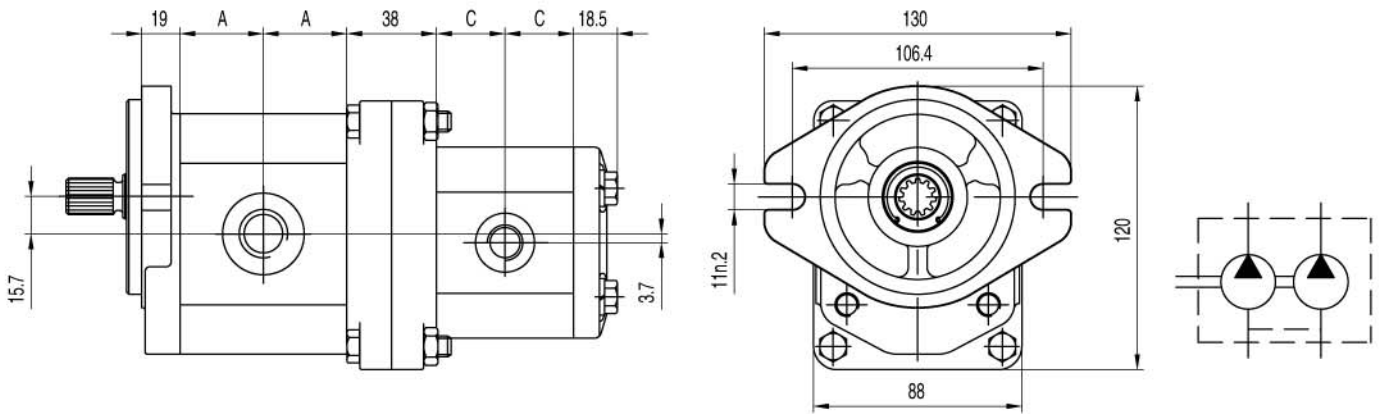


**BHP2/2/2    BHP2/2    BHP2/1    BHP2/0.5**

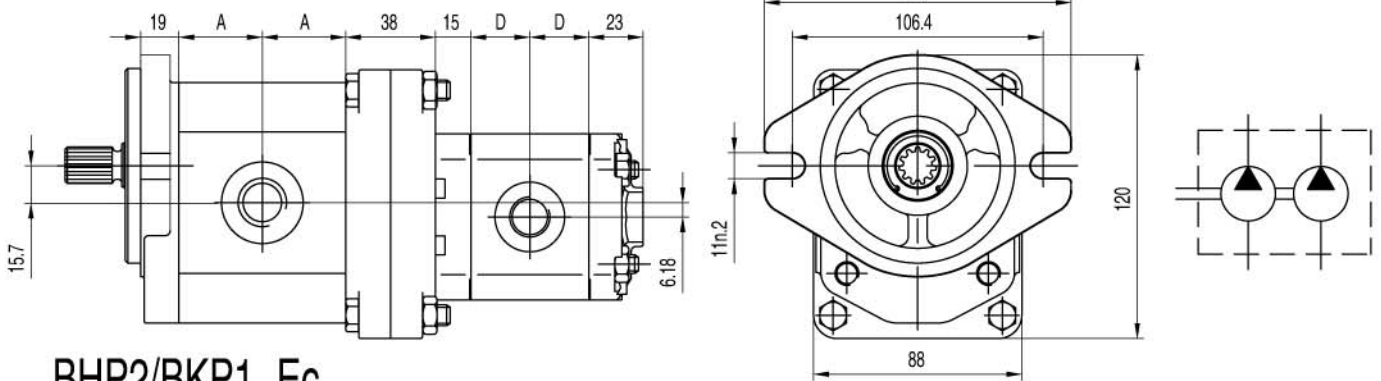
**BHP2/0.5-E**



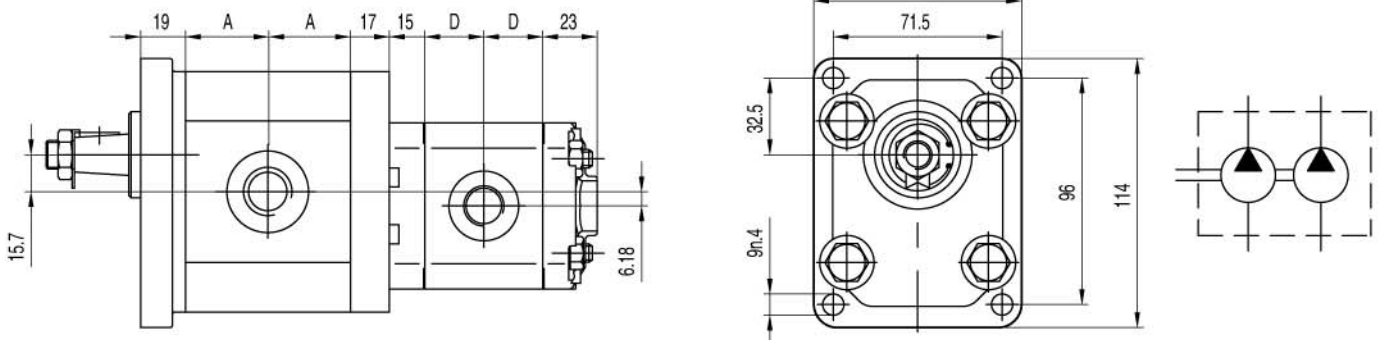
**BHP2/BAP1-F**



**BHP2/BKP1-Eb**



**BHP2/BKP1-Ec**



**BHP2/2/2    BHP2/2    BHP2/1    BHP2/0.5**

**BHP2**

排量 Displacement	最大压力 Max pressure			最高转速 Max. speed	最低转速 Min. speed	尺寸 Dimensions
	P1	P2	P3			
(cm <sup>3</sup> /rev)	bar	bar	bar	(r/min)	(r/min)	A
3	270	285	300	4000	800	24.5
4	270	285	300	4000	600	25.3
6	270	285	300	4000	600	27
8	270	285	300	3500	500	28.6
10	270	285	300	3000	500	30.3
12	270	285	300	3000	500	32
14	250	265	280	4000	500	33.6
16	250	265	280	4000	500	35.3
18	250	265	280	3600	400	37
20	220	235	250	3200	400	38.6
22	220	235	250	3000	400	40.3
25	200	215	230	3000	400	42.8
28	180	190	200	2500	400	45.3
30	160	170	180	2500	400	47

**BKP0.5**

排量 Displacement	最大压力 Max pressure			最高转速 Max. speed	最低转速 Min. speed	尺寸 Dimensions
	P1	P2	P3			
(cm <sup>3</sup> /rev)	bar	bar	bar	(r/min)	(r/min)	B
0.19	200	230	250	7000	1000	14.8
0.26	200	230	250	7000	1000	15
0.38	200	230	250	7000	1000	15.5
0.50	200	230	250	7000	1000	16
0.65	200	230	250	7000	1000	16.5
0.75	200	230	250	7000	1000	17
0.88	200	230	250	7000	1000	17.5
1.00	200	230	250	6000	850	18
1.25	200	230	250	5000	700	19
1.50	200	230	250	4000	600	20
1.75	180	210	230	4000	600	21
2.00	160	190	210	3000	500	22

**BHP2/2/2    BHP2/2    BHP2/1    BHP2/0.5**

**BAP1**

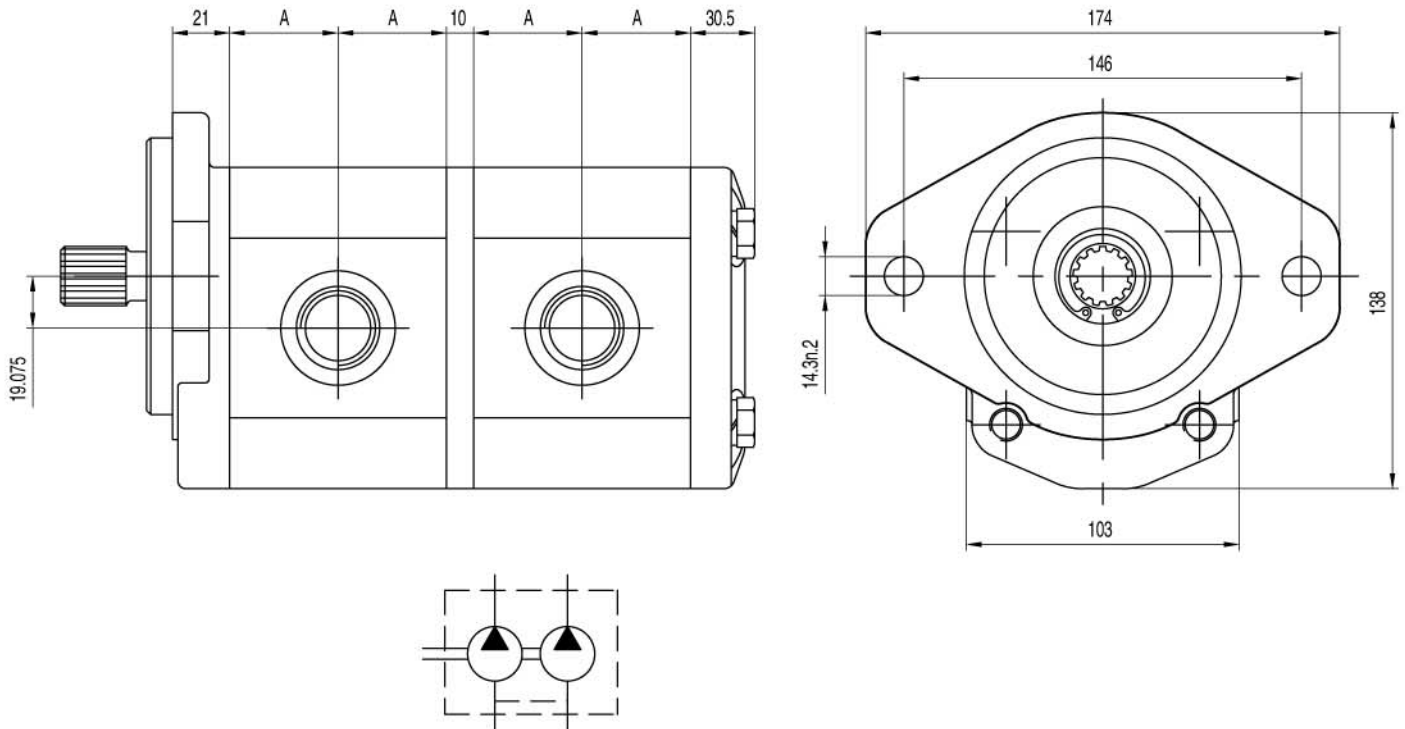
排量 Displacement	最大压力 Max pressure			最高转速 Max. speed	最低转速 Min. speed	尺寸 Dimensions C
	P1	P2	P3			
(cm <sup>3</sup> /rev)	bar	bar	bar	(r/min)	(r/min)	mm
1.4	250	270	290	6000	800	22
2.1	250	270	290	6000	800	23
2.8	250	270	290	5000	800	24
3.5	250	270	290	5000	800	25
4.1	250	270	290	4000	800	26
5.2	230	245	260	4000	800	27.5
6.2	230	245	260	3500	800	29
7.6	200	215	230	3000	600	31
9.3	180	195	210	2500	600	33.5
11.0	170	185	200	2500	600	36
13.8	150	165	180	2000	600	40

**BKP1**

排量 Displacement	最大压力 Max pressure			最高转速 Max. speed	最低转速 Min. speed	尺寸 Dimensions D
	P1	P2	P3			
(cm <sup>3</sup> /rev)	bar	bar	bar	(r/min)	(r/min)	mm
0.8	230	250	270	6000	1000	17.8
1.1	230	250	270	6000	1000	18
1.3	230	250	270	6000	1000	18.5
1.6	230	250	270	6000	1000	19
1.8	230	250	270	6000	1000	19.5
2.1	230	250	270	6000	1000	20
2.7	230	250	270	6000	800	21
3.2	210	230	250	5000	800	22
3.7	210	230	250	4500	800	23
4.2	210	230	250	4000	800	24
4.8	190	210	230	3500	600	25
5.8	190	210	230	3000	600	27
7.0	160	180	200	2500	600	29
8.0	160	180	200	2100	600	31

## BHP2.6/2.6

### BHP2.6/2.6-F

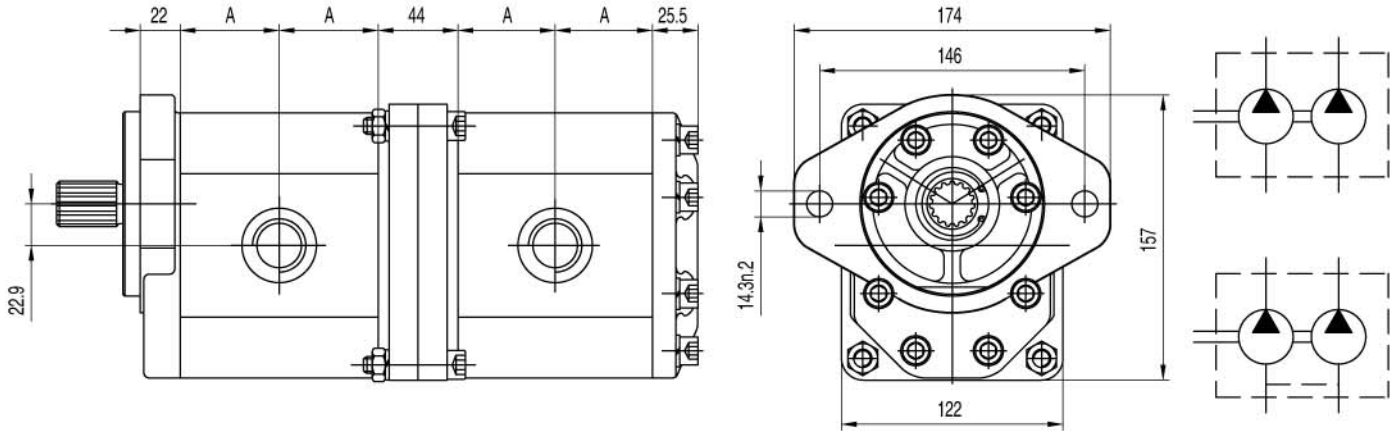


## BHP2.6

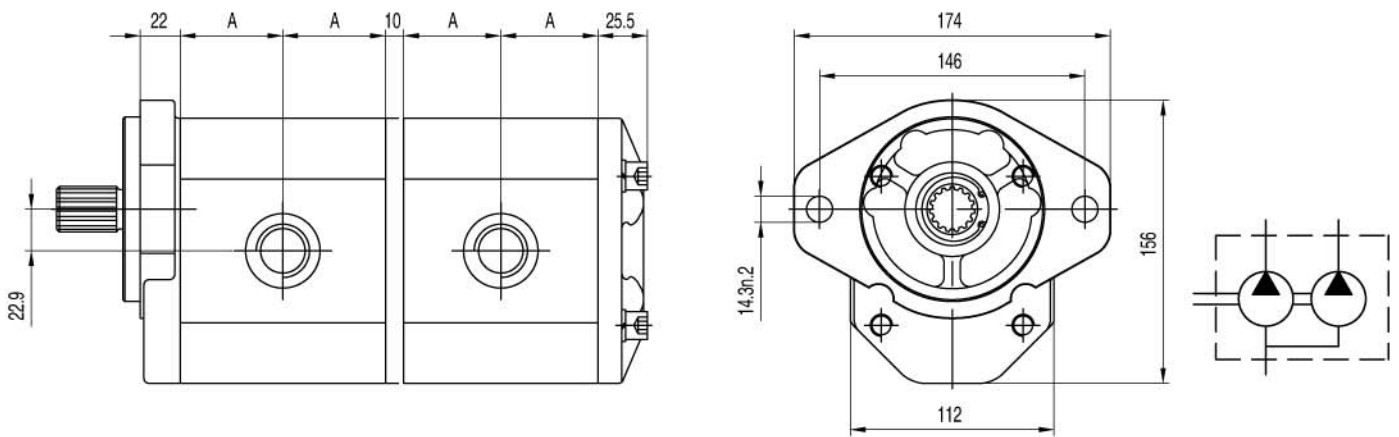
排量 Displacement	最大压力 Max pressure			最高转速 Max. speed	最低转速 Min. speed	尺寸 Dimensions
	P1	P2	P3			
(cm <sup>3</sup> /rev)	bar	bar	bar	(r/min)	(r/min)	A mm
6	250	280	300	4000	800	28.3
8	250	280	300	4000	800	29.3
10	250	280	300	4000	700	30.3
12	250	280	300	3500	700	31.5
14	250	280	300	3500	600	32.3
16	250	280	300	3500	600	33.5
19	250	280	300	3000	500	35.3
22	250	280	300	3000	500	37
25	250	280	300	3000	500	38.3
28	250	280	300	3000	500	39.8
30	230	250	260	3000	500	41
32	230	250	260	3000	400	42.3
36	200	230	250	2750	400	44.3
38	200	230	250	2750	400	45.3
40	170	190	210	2500	400	46.3
44	170	190	210	2500	400	48.5

**BHP3/3      BHP3/2      BHP3/1      BHP3/0.5**

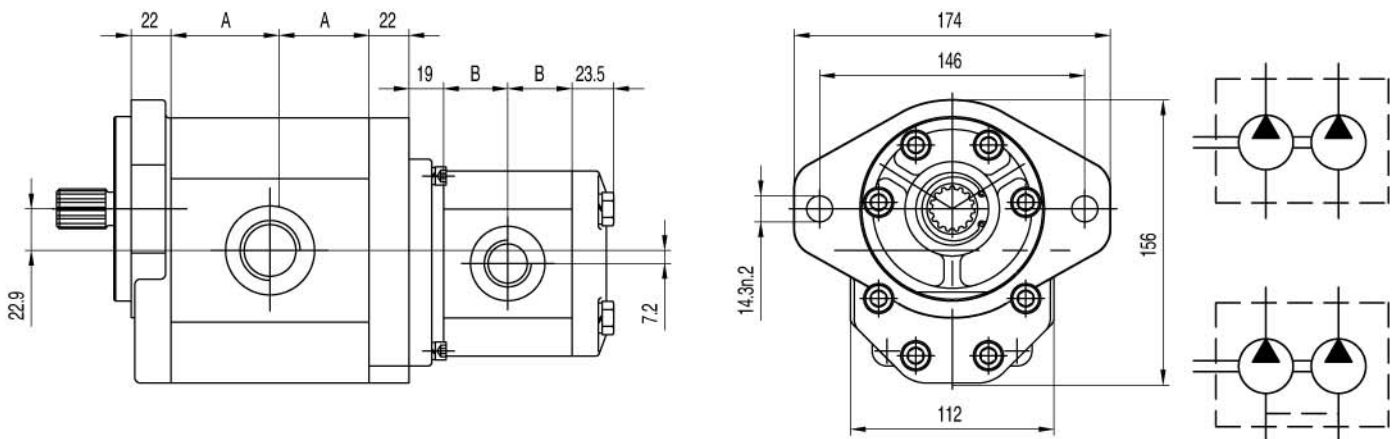
**BHP3/3-E      BHP3/3-F**



**BHP3/3-G**

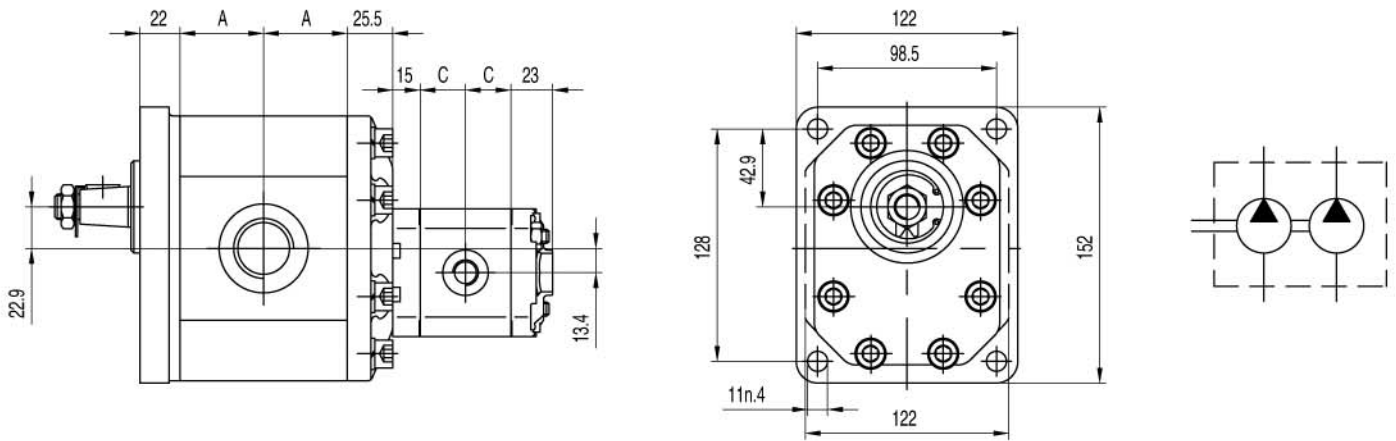


**BHP3/2-E      BHP3/2-F**

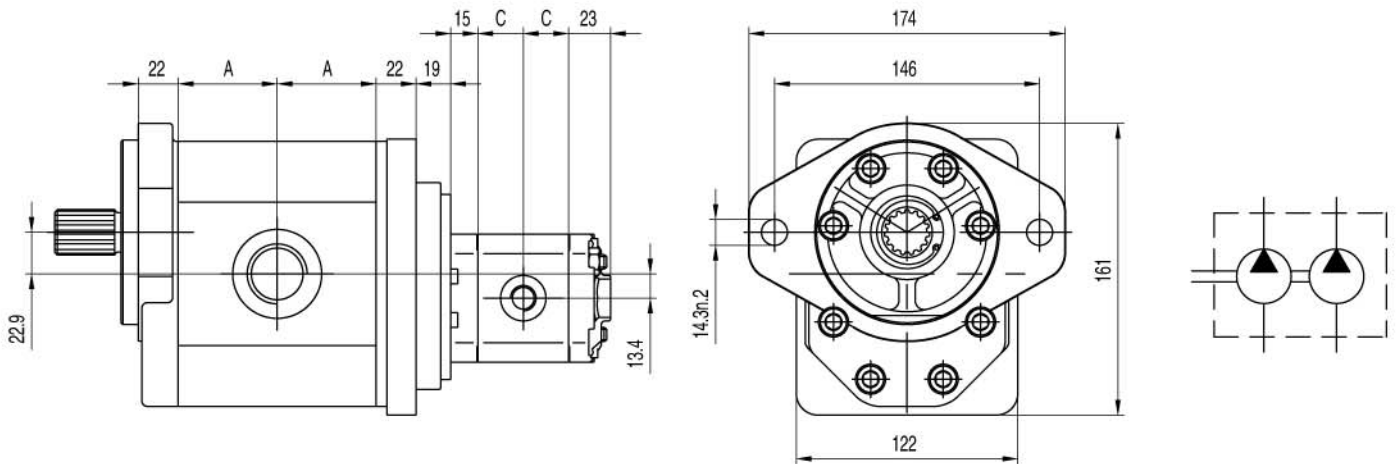


**BHP3/3    BHP3/2    BHP3/1    BHP3/0.5**

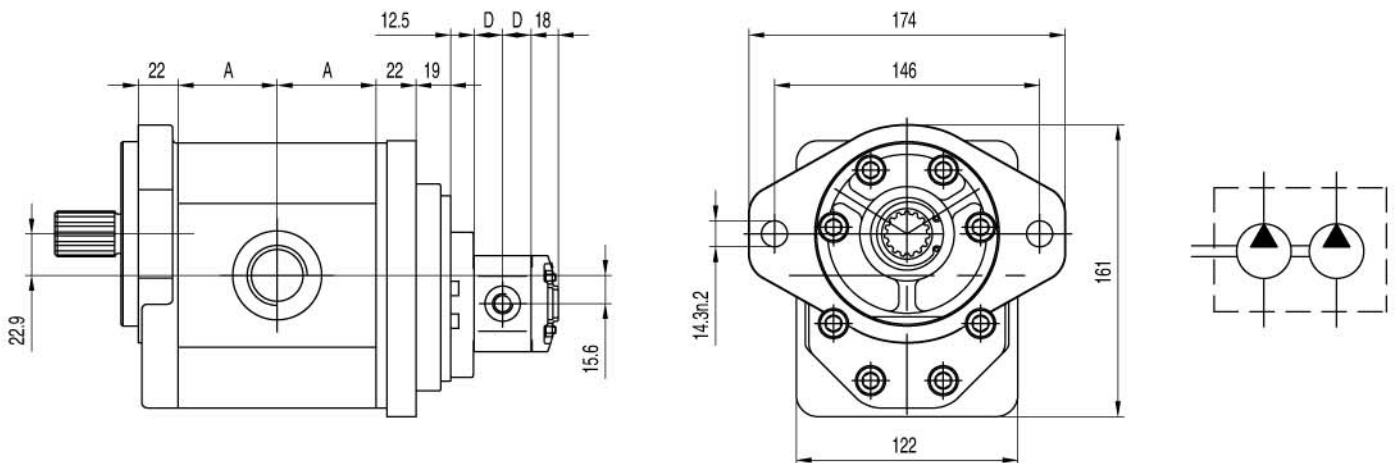
**BHP3/1-Ec**



**BHP3/1-Eb**



**BHP3/0.5-Ea**





**BHP3/3**

**BHP3/2**

**BHP3/1**

**BHP3/0.5**

**BHP3**

排量 Displacement	最大压力 Max pressure			最高转速 Max. speed	最低转速 Min. speed	尺寸 Dimensions A
	P1	P2	P3			
(cm <sup>3</sup> /rev)	bar	bar	bar	(r/min)	(r/min)	mm
20	250	265	280	3500	600	40.5
22	250	265	280	3500	600	41.5
26	250	265	280	3000	600	43
33	230	250	270	3000	500	46
39	230	250	270	3000	500	49.5
46	230	250	270	3000	500	52.5
50	220	240	260	3000	500	54.5
52	220	240	260	3000	500	55.5
55	200	230	250	2800	400	56.5
63	200	230	250	2800	400	60.5
71	180	200	220	2500	400	64

**BHP2**

排量 Displacement	最大压力 Max pressure			最高转速 Max. speed	最低转速 Min. speed	尺寸 Dimensions B
	P1	P2	P3			
(cm <sup>3</sup> /rev)	bar	bar	bar	(r/min)	(r/min)	mm
3	270	285	300	4000	800	24.5
4	270	285	300	4000	600	25.3
6	270	285	300	4000	600	27
8	270	285	300	3500	500	28.6
10	270	285	300	3000	500	30.3
12	270	285	300	3000	500	32
14	250	265	280	4000	500	33.6
16	250	265	280	4000	500	35.3
18	250	265	280	3600	400	37
20	220	235	250	3200	400	38.6
22	220	235	250	3000	400	40.3
25	200	215	230	3000	400	42.8
28	180	190	200	2500	400	45.3
30	160	170	180	2500	400	47

**BHP3/3      BHP3/2      BHP3/1      BHP3/0.5**

**BKP1**

排量 Displacement	最大压力 Max pressure			最高转速 Max. speed	最低转速 Min. speed	尺寸 Dimensions C
	P1	P2	P3			
(cm <sup>3</sup> /rev)	bar	bar	bar	(r/min)	(r/min)	mm
0.8	230	250	270	6000	1000	17.8
1.1	230	250	270	6000	1000	18
1.3	230	250	270	6000	1000	18.5
1.6	230	250	270	6000	1000	19
1.8	230	250	270	6000	1000	19.5
2.1	230	250	270	6000	1000	20
2.7	230	250	270	6000	800	21
3.2	210	230	250	5000	800	22
3.7	210	230	250	4500	800	23
4.2	210	230	250	4000	800	24
4.8	190	210	230	3500	600	25
5.8	190	210	230	3000	600	27
7.0	160	180	200	2500	600	29
8.0	160	180	200	2100	600	31

**BKP0.5**

排量 Displacement	最大压力 Max pressure			最高转速 Max. speed	最低转速 Min. speed	尺寸 Dimensions D
	P1	P2	P3			
(cm <sup>3</sup> /rev)	bar	bar	bar	(r/min)	(r/min)	mm
0.19	200	230	250	7000	1000	14.8
0.26	200	230	250	7000	1000	15
0.38	200	230	250	7000	1000	15.5
0.50	200	230	250	7000	1000	16
0.65	200	230	250	7000	1000	16.5
0.75	200	230	250	7000	1000	17
0.88	200	230	250	7000	1000	17.5
1.00	200	230	250	6000	850	18
1.25	200	230	250	5000	700	19
1.50	200	230	250	4000	600	20
1.75	180	210	230	4000	600	21
2.00	160	190	210	3000	500	22

ISO/TS16949-2009认证企业

# Boden 博顿

**中国·博顿液压股份有限公司**

CHINA BODEN HYDRAULICS CO.,LTD

**上海博顿液压科技有限公司**

SHANGHAI BODEN HYDRAULICS CO.,LTD

制造基地：启东滨海工业园东海路19号(邮编：226236)

Manufactory: No.19 Donghai Road, Binhai Industrial  
Zone, Qidong 226236, P.R. China

Tel:+86-513-83601666 Fax:+86-513-83601866

www.boden-hyd.com boden@boden-hyd.com