

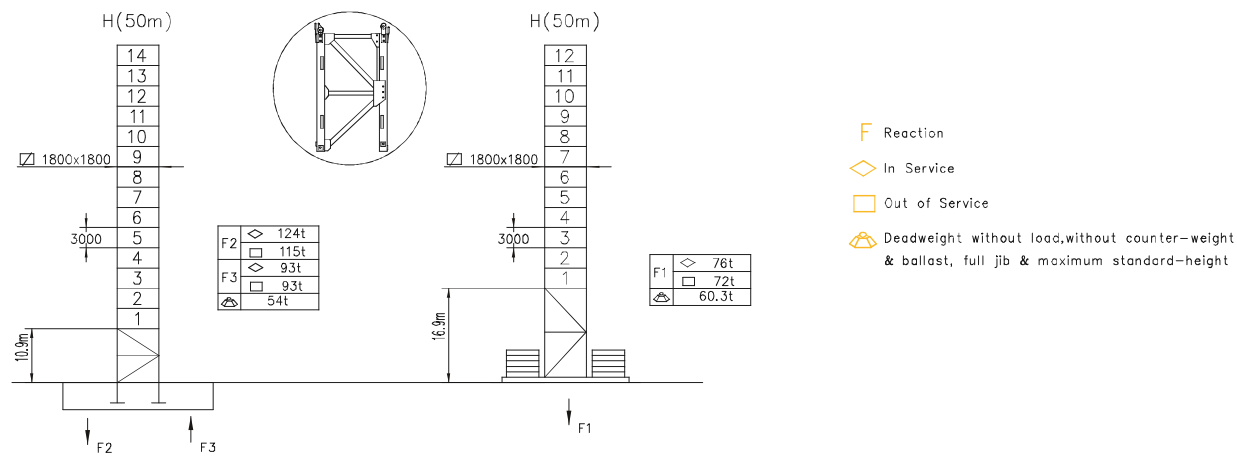


QTZ125 (ZX6513-10t)

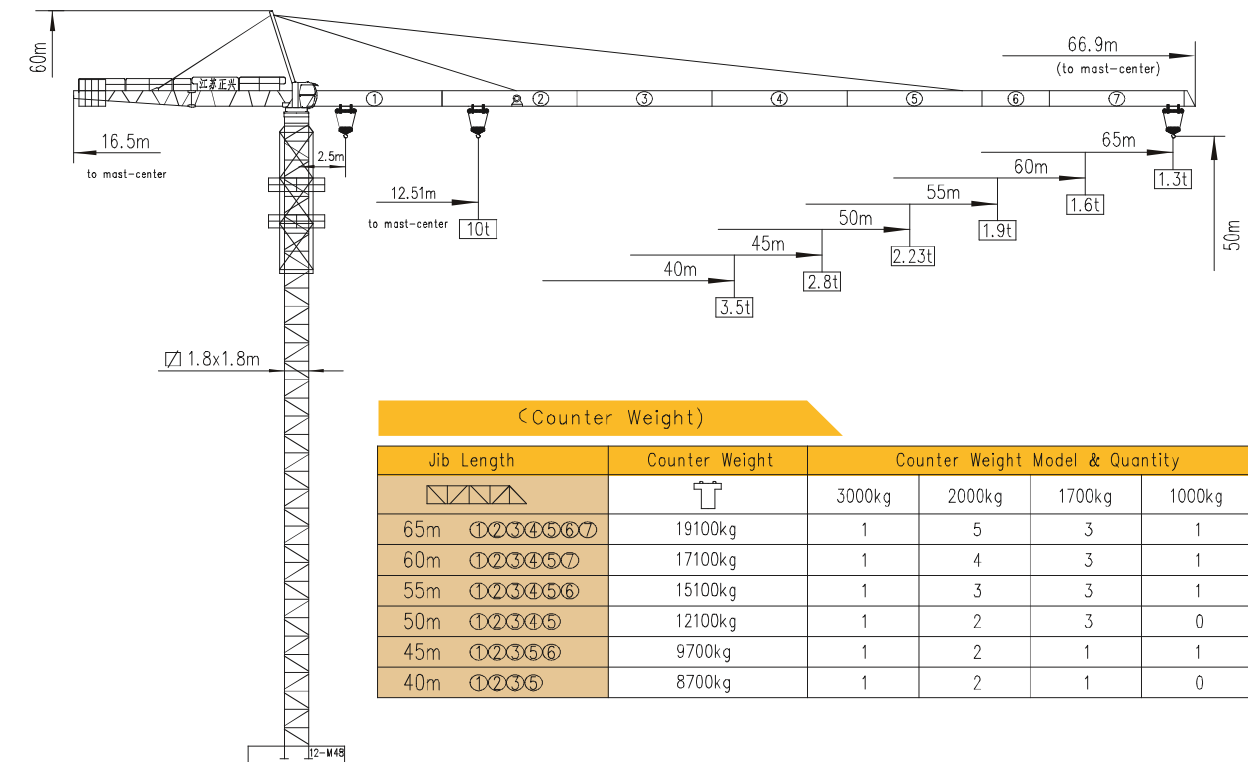
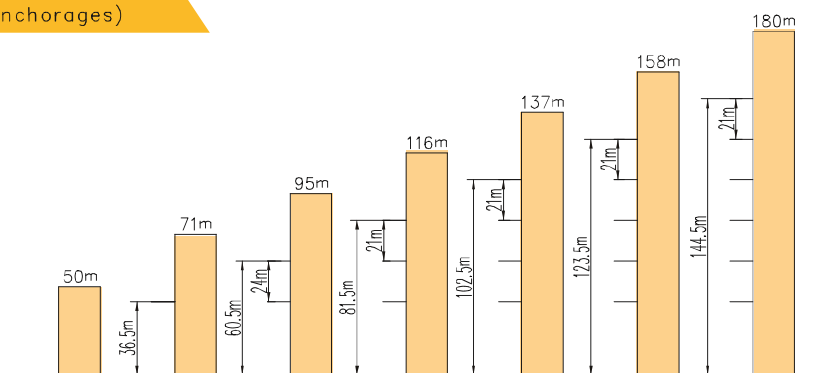
(Mechanisms Specification)

Names	Symbols	Operating Speed	Hoisting Weight	Rope Length	Power
Hoisting		0~40m/min	5t	320m (φ17)	45kW
		0~80m/min	2.5t		
		0~20m/min	10t		
		0~40m/min	5t		
Trolley		0~60m/min			5.5kW
Slewing		0~0.6r/min			2x5.5kW 2X13000N.m
Jacking		0.5m/min			5.5kW
Travelling		0~17m/min			2x11kW
Main Supply: 380V/50Hz			Gross Power(excluding Jacking & Travelling): 61.5kW		

(Mast Composition) & (Reaction)



(Anchorages)



(Counter Weight)

Jib Length	Counter Weight	Counter Weight Model & Quantity			
		3000kg	2000kg	1700kg	1000kg
65m	①②③④⑤⑥⑦	1	5	3	1
60m	①②③④⑤⑦	1	4	3	1
55m	①②③④⑤⑥	1	3	3	1
50m	①②③④⑤	1	2	3	0
45m	①②③⑤⑥	1	2	1	1
40m	①②③⑤	1	2	1	0

(Load Diagrams - 2 Falls)

Jib Length(m)	2.5	5	8	10	12	15	23	24	25	26	28	30	32	35	38	40	42	45	48	50	53	55	58	60	63	65	
65	5.00	5.00	5.00	5.00	5.00	5.00	4.75	4.53	4.32	3.96	3.64	3.37	3.01	2.72	2.55	2.39	2.18	2.00	1.90	1.75	1.66	1.54	1.46	1.36	1.30		
60	5.00	5.00	5.00	5.00	5.00	5.00	4.86	4.64	4.25	3.92	3.62	3.25	2.93	2.75	2.58	2.36	2.17	2.06	1.90	1.81	1.68	1.60					
55	5.00	5.00	5.00	5.00	5.00	5.00	4.84	4.44	4.09	3.78	3.39	3.07	2.88	2.71	2.48	2.28	2.16	2.00	1.90								
50	5.00	5.00	5.00	5.00	5.00	5.00	4.69	4.32	4.00	3.60	3.25	3.05	2.87	2.63	2.43	2.23											
45	5.00	5.00	5.00	5.00	5.00	5.00	4.96	4.58	4.24	3.81	3.45	3.24	3.05	2.80													
40	5.00	5.00	5.00	5.00	5.00	5.00	4.92	4.57	4.11	3.72	3.50																

(Load Diagrams - 4 Falls)

Jib Length(m)	2.5	5	8	12	14	16	18	20	22	25	28	30	32	35	38	40	42	45	48	50	53	55	58	60	63	65	
65	10.0	10.0	10.0	10.0	8.78	7.53	6.56	5.80	5.18	4.45	3.88	3.56	3.29	2.93	2.64	2.47	2.31	2.10	1.92	1.82	1.67	1.58	1.46	1.38	1.28	1.22	
60	10.0	10.0	10.0	10.0	9.39	8.05	7.03	6.22	5.56	4.78	4.17	3.84	3.54	3.17	2.85	2.67	2.50	2.28	2.09	1.98	1.82	1.73	1.60	1.52			
55	10.0	10.0	10.0	10.0	9.77	8.38	7.32	6.48	5.80	4.99	4.36	4.01	3.70	3.31	2.99	2.80	2.63	2.40	2.20	2.08	1.92	1.82					
50	10.0	10.0	10.0	10.0	10.0	8.84	7.72	6.84	6.13	5.27	4.61	4.24	3.92	3.52	3.17	2.97	2.79	2.55	2.35	2.22							
45	10.0	10.0	10.0	10.0	10.0	9.32	8.15	7.22	6.47	5.58	4.88	4.50	4.16	3.73	3.37	3.16	2.97	2.72									
40	10.0	10.0	10.0	10.0	10.0	8.74	7.75	6.95	6.00	5.25	4.84	4.49	4.03	3.64	3.42												