

NASTRO-SB™ -M5-M6-M8

The Next Benchmark



SEMI-AUTOMATIC CASE SEALER

100%
MADE in ITALY

NASTRO-SB™ - M5 - M6 - M8

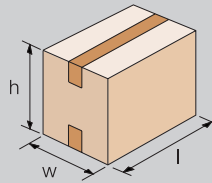
Nastro-SB™ - M is a range of semi-automatic heavy duty case sealing machines engineered by SIAT specifically for small, medium, large and king fixed boxes. Nastro-SB™ is the ideal case sealing machine for a variety of industries like food & beverage, chemical, clothes and wine.

SPECIFICATIONS

Max Production Capacity: 1200 boxes/hour

Case type: RSC - FEFCO 0201

Max case weight: 32 kg



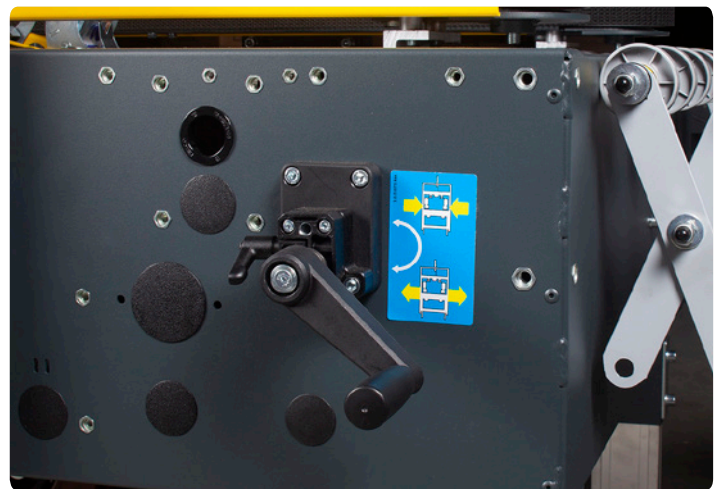
Box dimensions	L (mm)	W (mm)	H (mm)
M5-S	150 - ∞	150 - 500	120 - 500
M5-L	150 - ∞	105 - 500	50 - 500
M6-S	150 - ∞	150 - 650	120 - 650
M6-L	150 - ∞	105 - 650	50 - 650
M8	150 - ∞	150 - 800	120 - 800

KEY FEATURES

- » Lockable power switch
- » Central (M5) or double side (M6-M8) emergency button
- » Removable heads without tools
- » 75 mm high belt conveyor
- » Easy to replace belt without removing the conveyor
- » 50 mm minimum box height (with L version)
- » Double screws move the belt conveyor
- » Double screws move the top taping unit
- » Lockable on/off motors switch
- » Top and bottom taping head removable without tools

ENERGY SAVING VERSION

Motors and conveyors stop after a defined time when no cartons are detected



Top taping unit position adjustment handle

Central emergency button

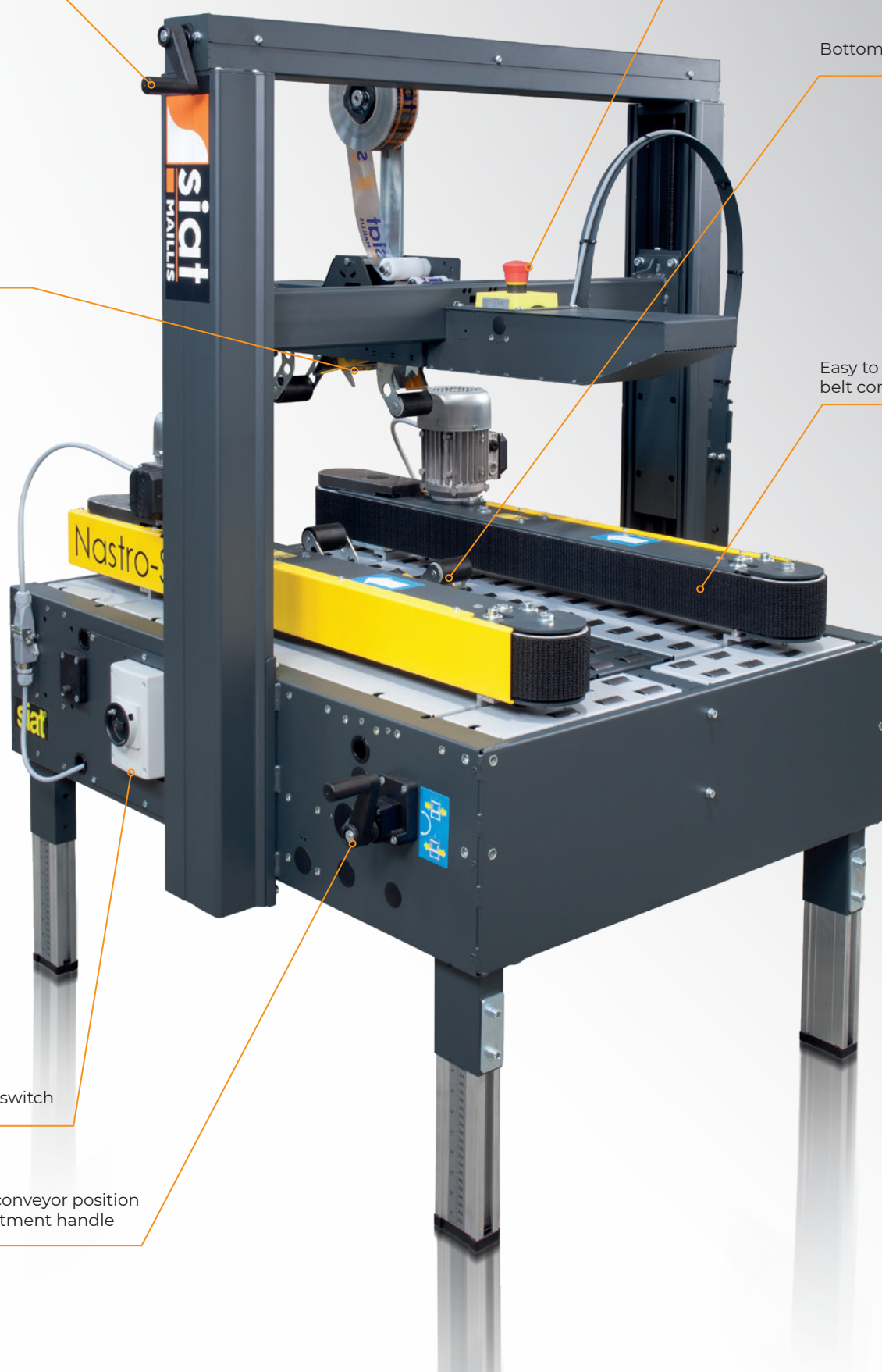
Bottom taping unit

Top taping unit

Easy to maintain belt conveyor

On/off lockable switch

Belt conveyor position adjustment handle



NASTRO-SB™ - M5 - M6 - M8

Machine dimensions

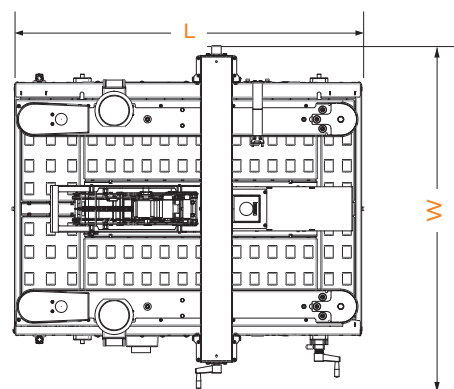
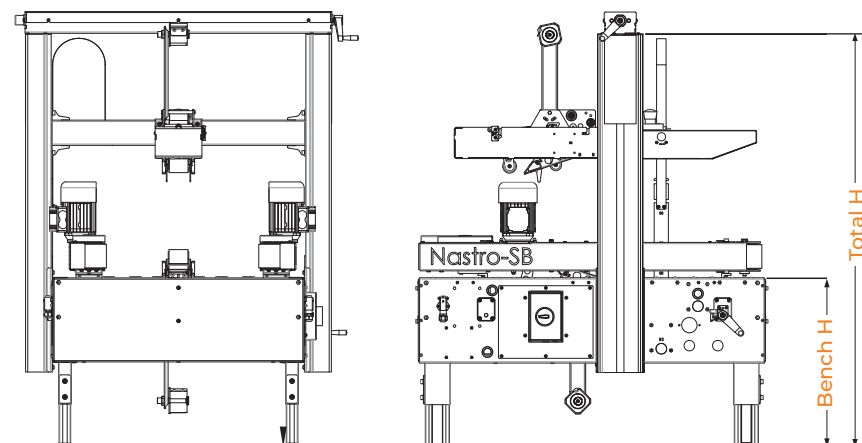
Dimensioni macchina
 Maschinenabmessungen
 Dimensions machine
 Dimensiones de máquina

	Model	Min (mm)	Max (mm)
Total H	M5-S/M5-L	1275	1535
	M6-S/M6-L	1425	1685
	M8	1575	1835
H Bench	ALL	540	800
W	M5-S/M5-L	1080	1080
	M6-S/M6-L	1230	1230
	M8	1380	1380
L	ALL	1100	1100

 **185 Kg**

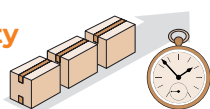
 **220 Kg**

 **120(L) x 106(w) x 116(H) cm**



Max Production capacity

Capacità di produzione
 Produktionskapazität
 Capacité de production
 Capacidad de producción



up to 1200 Bph

Standard power supply

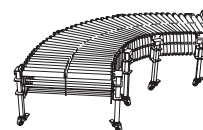
Alimentazione standard
 Standard-Stromanschluß
 Alimentation électrique standard
 Fuente de alimentación estándar

380/415V - 50Hz - 3ph	
440V - 60Hz - 3ph	
Amps	1,08
Power kW	0,26
Phase	3Ph + N + PE

Optional Extras

Accessori
 Zubehör
 Accessories
 Accesorios

GTL - GTR

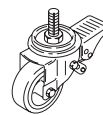


Higher Legs

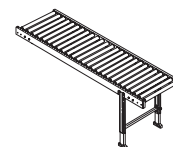


Nastro legs medium height (440-700 mm)
 Nastro legs max height (760-1020 mm)

AS77



RG



SIAT Spa

Via Puecher 22, 22078 Turate - Como
 www.siat.com

 **100%**
 MADE in ITALY

SIAT AND MAILLIS GROUP

SIAT is the famous Italian Brand of strapping hand tools, semi-auto wrappers and case handling machines and proudly part of Maillis Group. Operating 5 production units around the

world and employing over 1,200 qualified staff, Maillis provides you with reliable system solutions incorporating machines, consumables and services to face your everyday challenges across different industries.

SIAT S.p.A is recognised worldwide as a top-class machine manufacturer for secondary packaging and produces more than 17,000 machines per year, and has done since 1970. Our product range includes semi-automatic as well as fully automatic machines like Case Sealers and Case Erectors, Stretch Wrappers, Strapping Tools / Machines, Flexographic Printing Machines and Tape Dispensers. The company is present in more than 100 countries and is constantly investing worldwide to meet customers actual and future demands.