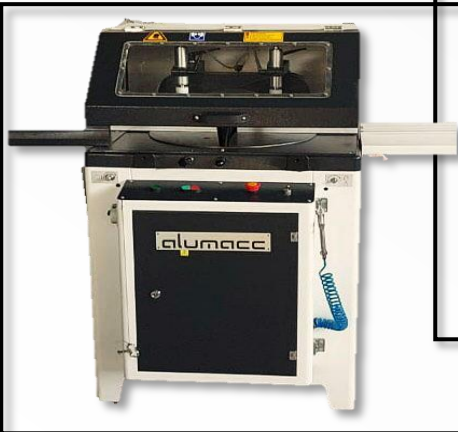
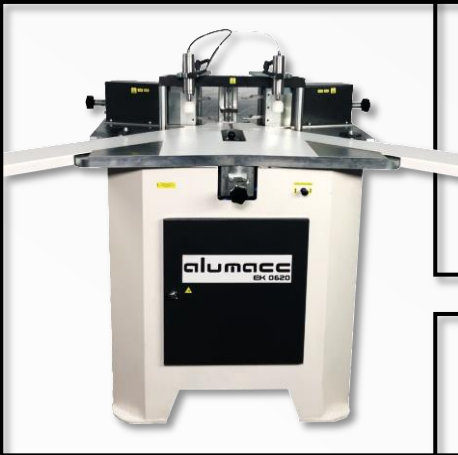
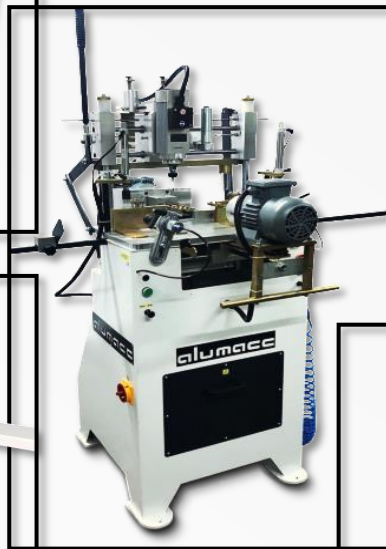


alumacc

ALUMINIUM AND PVC MACHINES



alumace

ALUMINIUM AND PVC MACHINES

alumacc

ALUMINIUM AND PVC MACHINES

ALUMACC MACHINE,

*Founded by Ercan KABAN in Istanbul
to produce the best machines needed worldwide
in Aluminium and PVC Machinery industry.*

*Ercan KABAN worked 30 years in the leading company of the sector
including Senior Management positions. He created the ALUMACC brand.
He aims to design and produce new technological machines to the sector with his experience.*

*With the designing and producing its machines with its innovative knowledge and experience
Alumacc Machine truly based on customer satisfaction by produced using the latest technologies producing
their machines as functional, durable and easy to use by providing warranty and service support and spare parts
supply to its machines.*

*Alumacc Machines are designed, processed and assembled with high precision and comprehensive planning to show exceptional
performance.*

Alumacc Machine continues to serve our valued customers on a global scale with the principles of respectability, reliability and continuity.

alumace

ALUMINIUM AND PVC MACHINES

alumace
ALUMINIUM AND PVC MACHINES

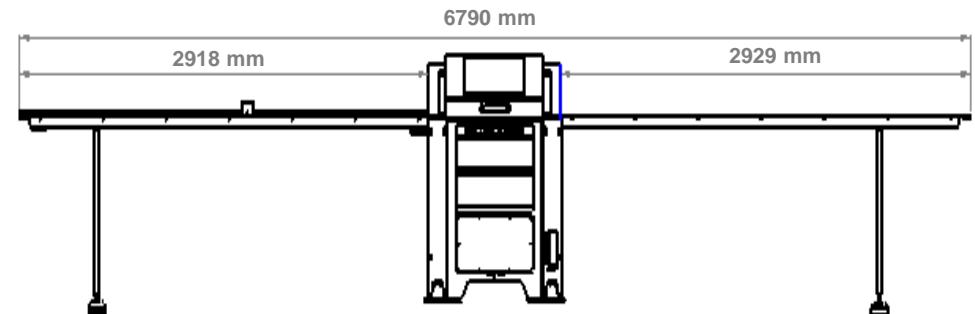
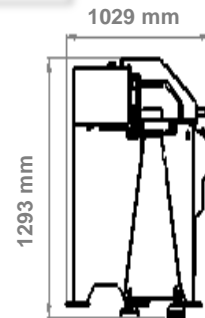
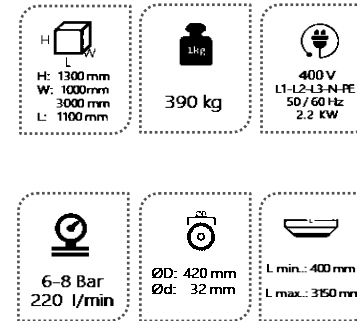
ALUMACE





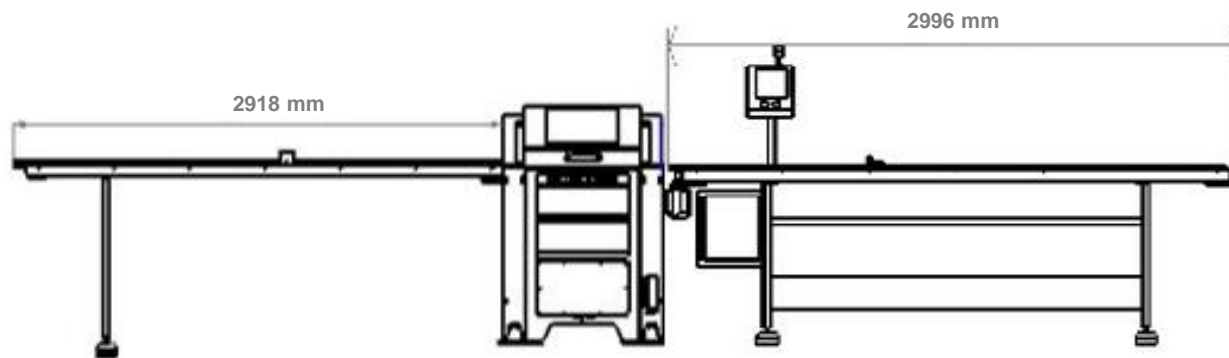
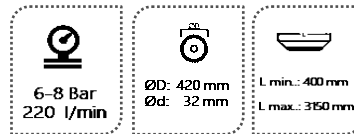
General Features

- Upward vertical bearing system.
- Precise cutting of Aluminum profiles at angles between 45° - 60°.
- High quality and easy cutting with its lubrication system.
- Precise cutting with linear bearing system.
- Stainless material against abrasion, impact and rust on the profile cutting surface
- Easy use with fixed support system at angle settings between 45° - 90° - 60°
- Cuts with hydropneumatic system



General Features

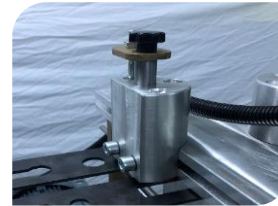
- Digital measuring system has been added to the Single Head Cutting Machine as an option.
- With the digital measuring system, the ability to automatically reach the desired size has been provided.
- Upward vertical bearing system.
- Precise cutting of Aluminum profiles at angles between 45°- 60°.
- High quality and easy cutting with its lubrication system.
- Precise cutting with linear bearing system.
- Stainless material against abrasion, impact and rust on the profile cutting surface
- Easy use with fixed support system at angle settings between 45° - 90°- 60°
- Cuts with hydropneumatic system





General Features

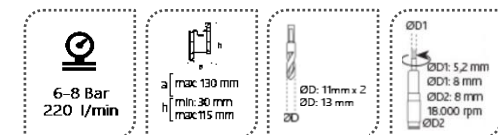
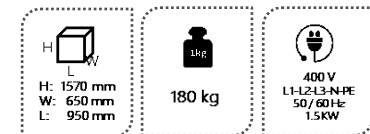
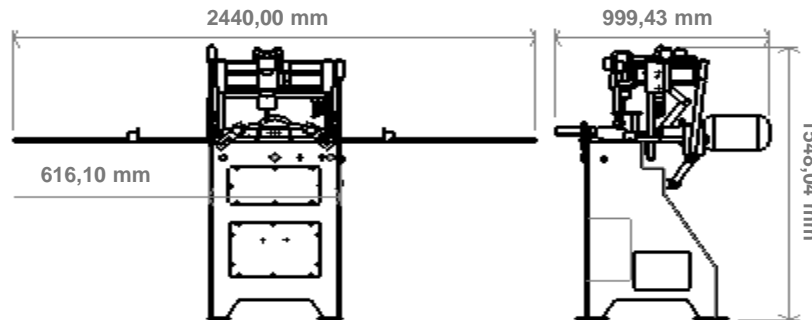
- Drilling of espagnolette canal, lock, barrel and triple handle of aluminum profiles (door and wing) at one time without turning the profile.
- Practical setting with mechanical support plates
- Milling down movement quadruple rotary stop system
- Possible to use Ø 5,2 and Ø 8 milling cutters in the template tracking system.
- The surface quality provides tool performance with the cooling system



- Practical dual template tracking system

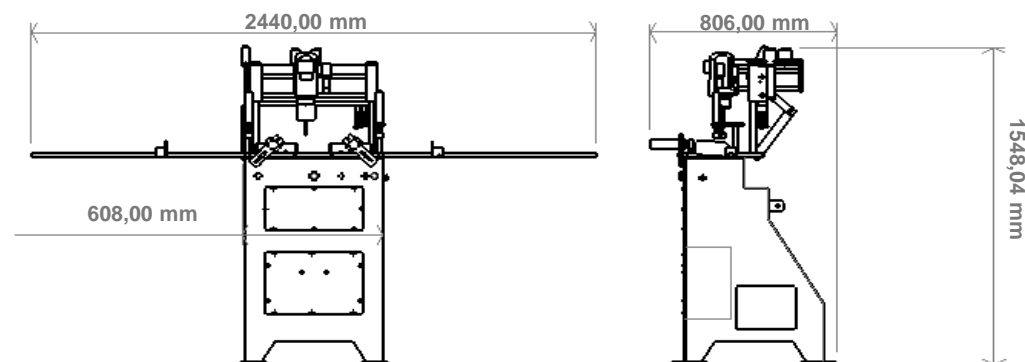
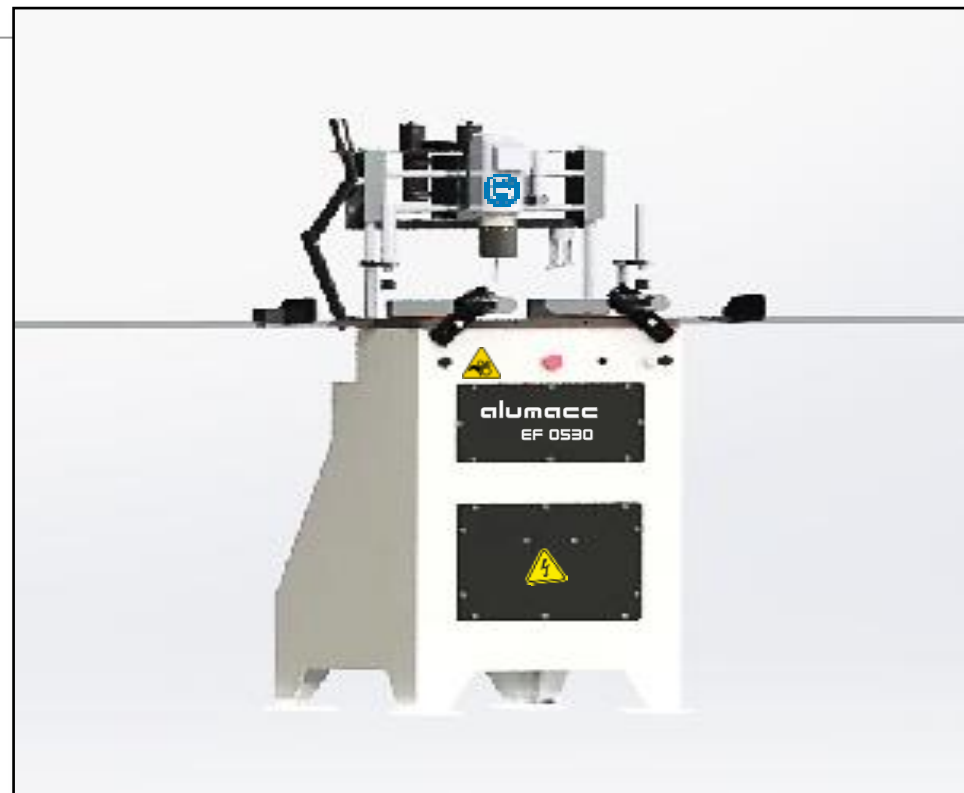
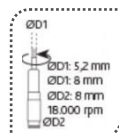
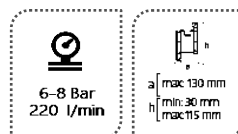
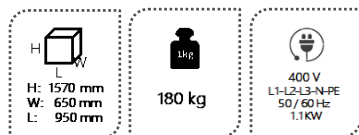


- Practical quadruple up-down adjustment system



General Features

- Drilling of espagnolette canal, lock, barrel and triple handle of aluminum profiles (door and wing).
- Practical setting with mechanical support plates
- Milling down movement quadruple rotary stop system
- Possible to use $\varnothing 5,2$ and $\varnothing 8$ milling cutters in the template tracking system.
- Thanks to the cooling system, the surface quality provides tool performance.





General Features

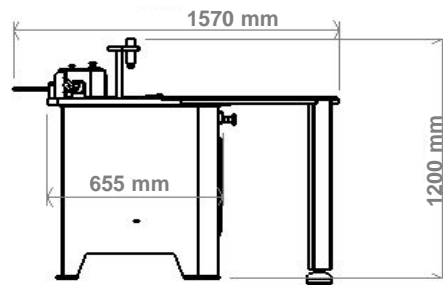
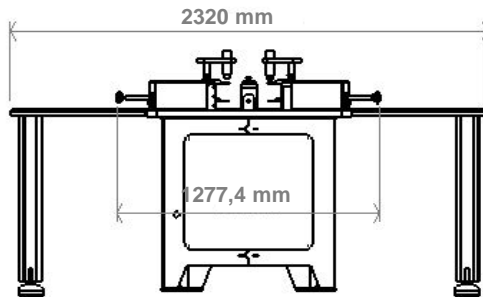
- Crimping the Aluminum profile corners at the desired pressure value.
- Working with hydraulic system
- The pressure force of the hydraulic pistons is 6.500 kg.
- The aluminum profile surfaces are prevented from being damaged
- Hydraulic pressure piston settings are easy to adjust using the millimeter (mm) ruler system.
- Corner crimping blade settings are easy to adjust using the mm ruler system.



- Practical and precisely adjustable press blades



- Surface material that provides ease of operation by preventing damage and scratching of profile surfaces



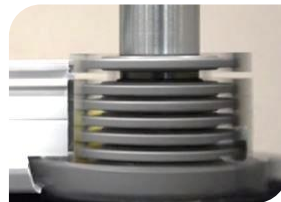
<p>H: 1200 mm W: 1300 mm L: 670 mm 1600 mm</p>	<p>420 kg</p>	<p>6-8 Bar 50 l/min</p>	<p>a: min: 30 mm max: 110 mm h: min: 30 mm max: 180 mm</p>	<p>A: 300 mm B: 300 mm</p>	<p>400 V L1-L2-L3-N-PE 50 / 60Hz 2.2 KW</p>
--	---------------	-----------------------------	--	--------------------------------	---

General Features

- End milling of Aluminium profiles at $-22,50^\circ / +22,50^\circ$ range
- 4 different profile support systems.
- The angle adjustment system via mechanical and angle indicator.
- Practical cutter change system
- Precisely end milling speed settings
- Cutter storing with cutter shelf.



- End milling with flat cutter and reverse cutter option.
- There are 4 types of profile processing possibilities.

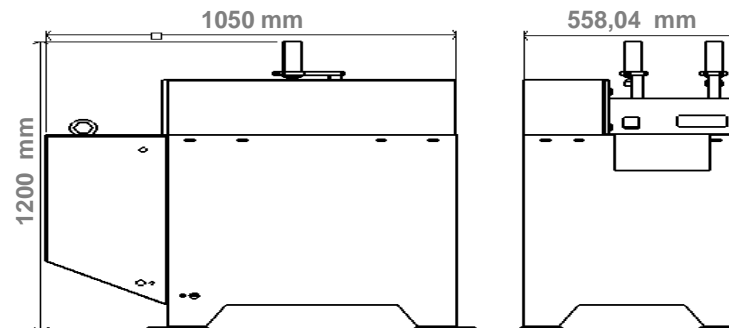


- Practical cutter change system provides ease of operation.



H: 1220 mm W: 1070 mm L: 570 mm	190 kg	6-8 Bar 130 l/min

400 V L1-L2-13-N-PE 50/60 Hz 15 kW	a max.: 130 mm h max.: 200 mm	ØD: 175 mm Ød: 30 mm h max.: 140 mm



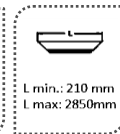
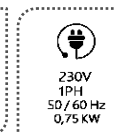
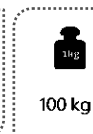
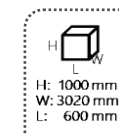
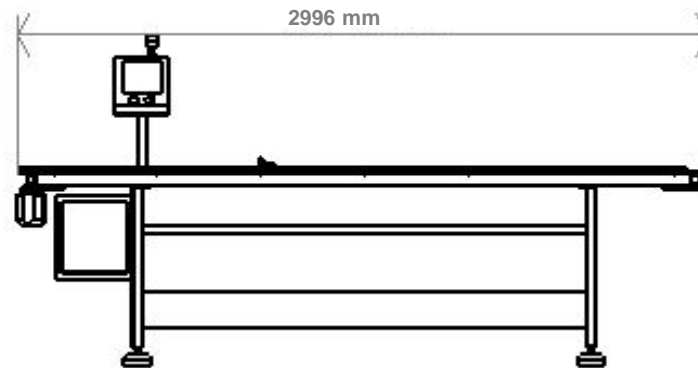
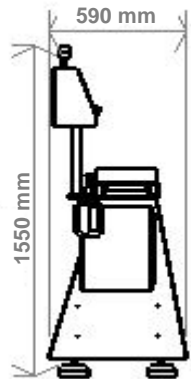


General Features

- Automatically reach the desired size has been provided
- Provides high speed and precise measurement to the use of servo control.
- Easy data upload via data and usb
- Fast and basic screen menu uses
- 999 different cutting length memory capacity.
- In its mechanical design, rigidity and rigidity are prioritized, allowing easy cutting of large, heavy PVC and Aluminum profiles.
- Ergonomic and safe working convenience



Usage of the on-screen menu is fast and simple.



alumace
ALUMINIUM AND PVC MACHINES

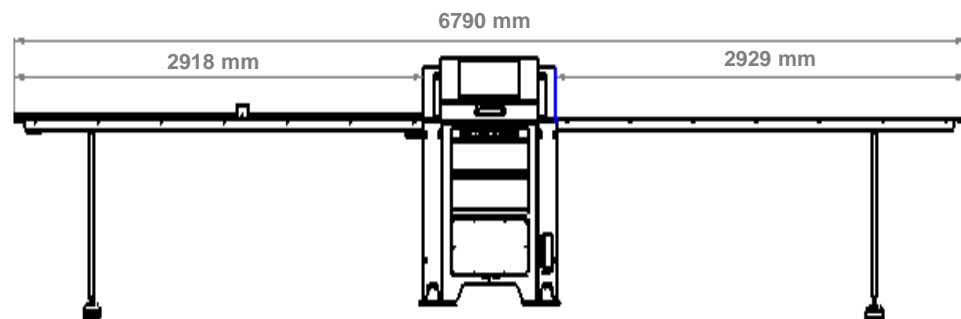
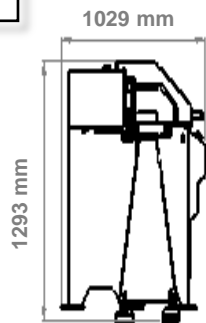
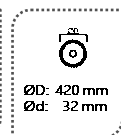
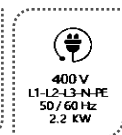
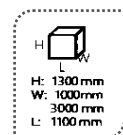
P
V
C





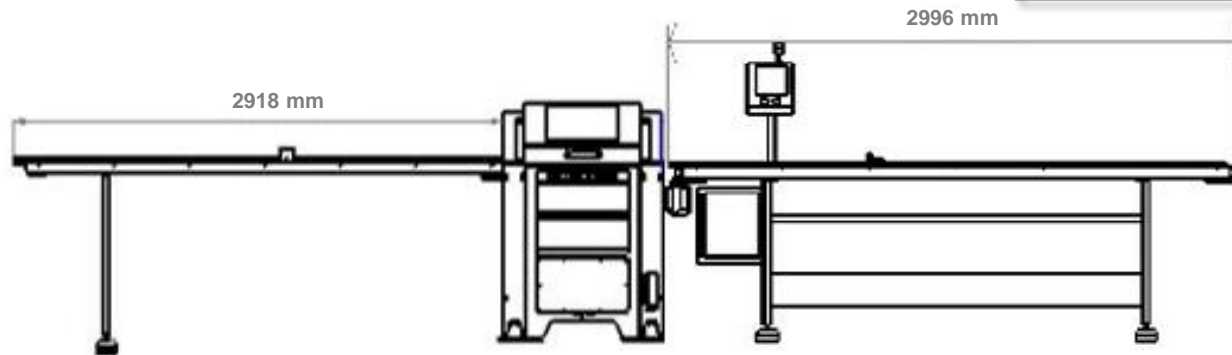
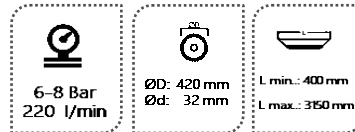
General Features

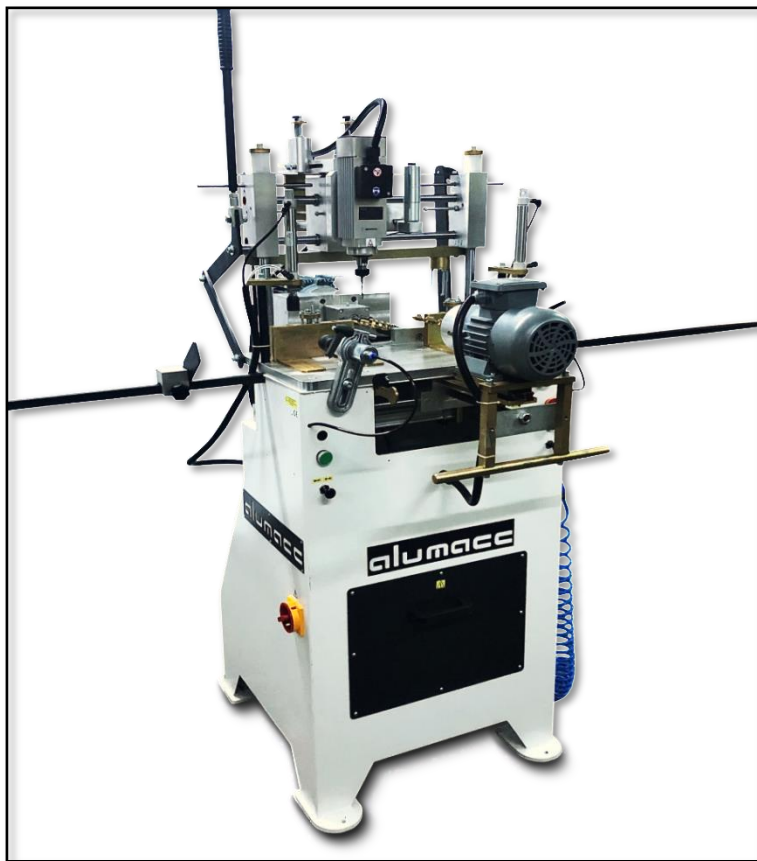
- Upward vertical bearing system.
- Precise cutting of PVC profiles at angles between 45° - 60°.
- High quality and easy cutting with its lubrication system.
- Precise cutting with linear bearing system.
- Stainless material against abrasion, impact and rust on the profile cutting surface
- Easy use with fixed support system at angle settings between 45° - 90° - 60°



General Features

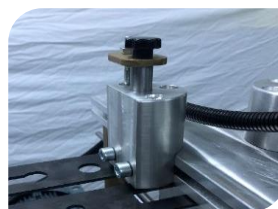
- Digital measuring system has been added to the Single Head Cutting Machine as an option.
- With the digital measuring system, the ability to automatically reach the desired size has been provided.
- Upward vertical bearing system.
- Precise cutting of PVC profiles at angles between 45°- 60°.
- High quality and easy cutting with its lubrication system.
- Precise cutting with linear bearing system.
- Stainless material against abrasion, impact and rust on the profile cutting surface
- Easy use with fixed support system at angle settings between 45° - 90°- 60°





General Features

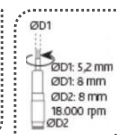
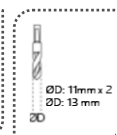
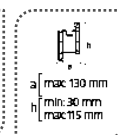
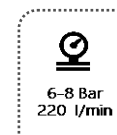
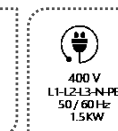
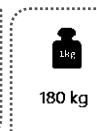
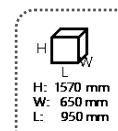
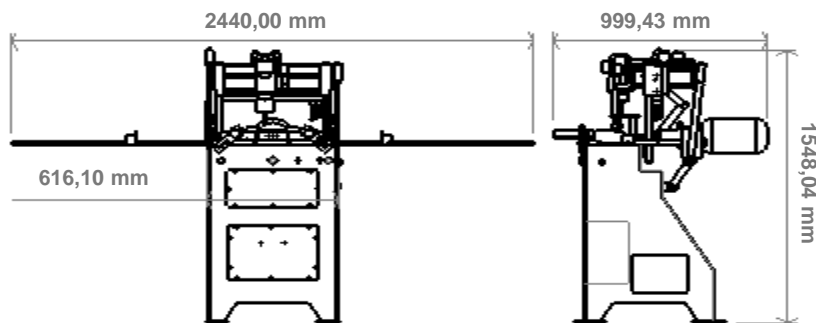
- Drilling of espagnolette canal, lock, barrel and triple handle of PVC profiles (door and wing) at one time without turning the profile.
- Practical setting with mechanical support plates
- Milling down movement quadruple rotary stop system
- Possible to use Ø 5,2 and Ø 8 milling cutters in the template tracking system.



- Practical dual template tracking system

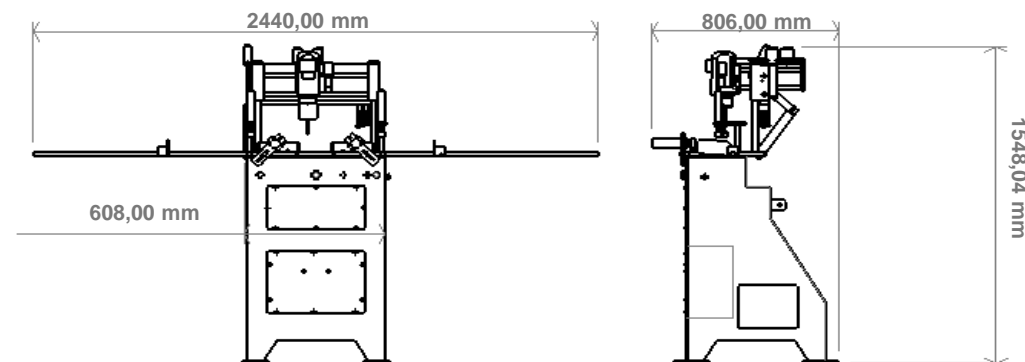
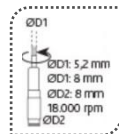
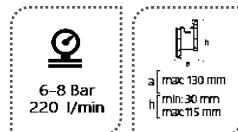


- Practical quadruple up-down adjustment system



General Features

- Drilling of espagnolette canal, lock, barrel and triple handle of PVC profiles (door and wing).
- Practical setting with mechanical support plates
- Milling down movement quadruple rotary stop system
- Possible to use $\varnothing 5,2$ and $\varnothing 8$ milling cutters in the template tracking system.



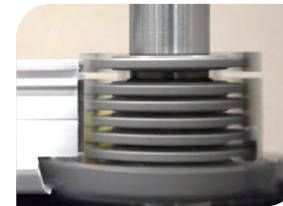


General Features

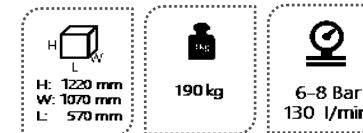
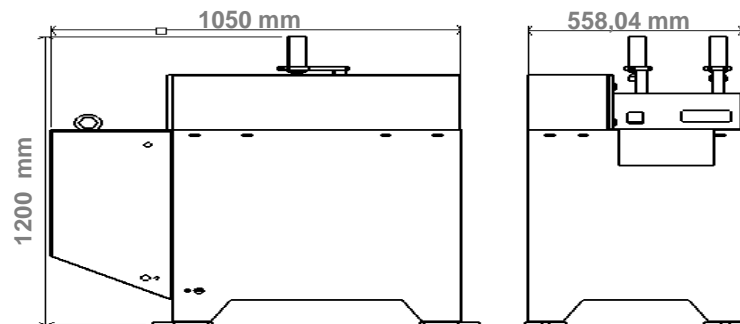
- End milling of PVC profiles at $-22,50^\circ$ / $+22,50^\circ$ range
- 4 different profile support systems.
- The angle adjustment system via mechanical and angle indicator.
- Practical cutter change system
- Precisely end milling speed settings
- Cutter storing with cutter shelf.



- End milling with flat cutter and reverse cutter option.
- There are 4 types of profile processing possibilities.



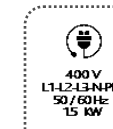
- Practical cutter change system provides ease of operation.



190 kg



6-8 Bar
130 1/min



a max.: 130 mm
h max.: 200 mm



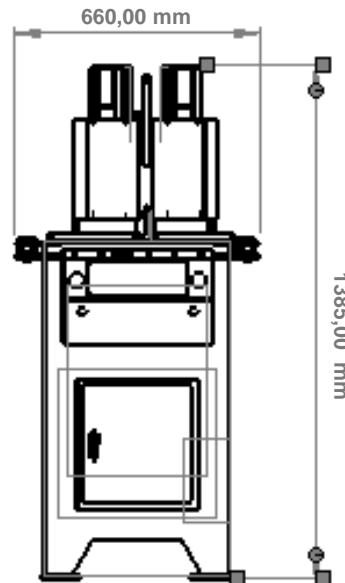
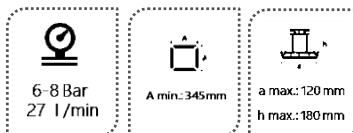
ØD: 175 mm
Ød: 30 mm
h max.: 140 mm

General Features

- Single corner welding of PVC profiles between 30° - 180°
- It has 0.2 mm welding feature.
- Adjusted according to the profile height of the upper presses. (Provides time saving and safety.)
- Mold change provides practicality with spring system.
- The resistance teflon replacement is interlaced and allows the use of all parts of the teflon.
- Profile clamping jaws are made of stainless material.
- Thanks to its double side table arms, it provides ease of work and quality production.
- Double safety operating system.



- Practical mold change
- Stainless steel





General Features

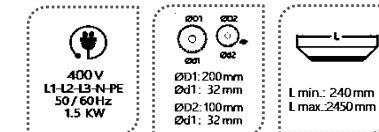
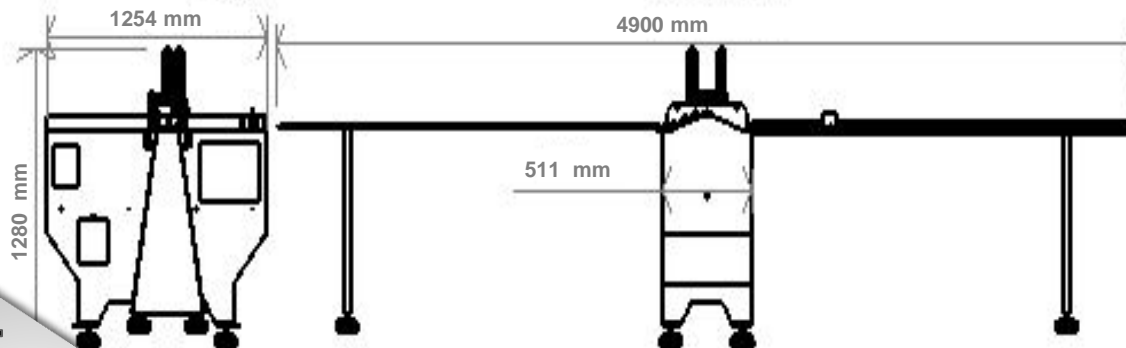
- High precision cutting of PVC glazing beads at 45°
- Saw progress speed settings are done precisely.
- Standard profile measuring and table system
- Cutting two profiles at the same time without molds.
- 12 different profile support systems.



- Cutting two profiles at the same time without molds.

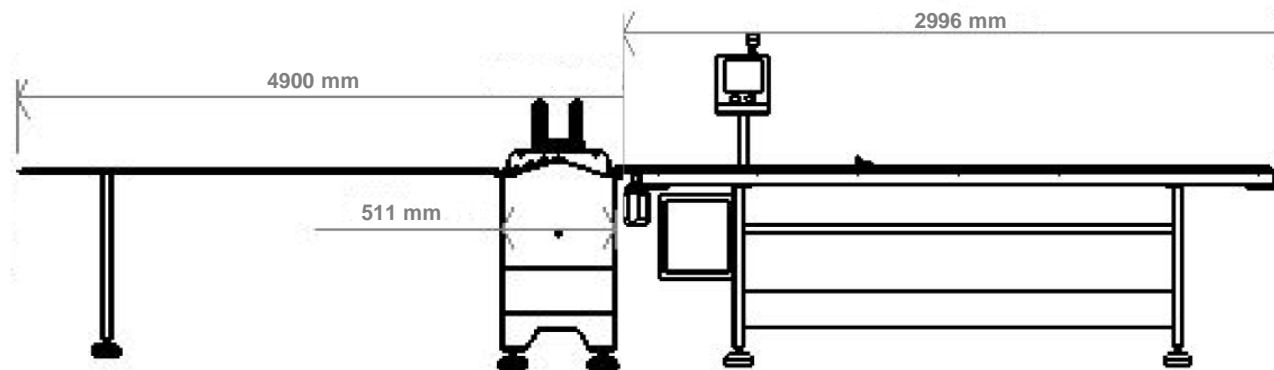
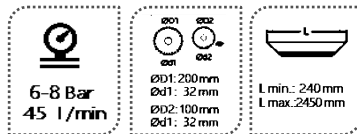


- High precision cutting of PVC glazing beads at 45°



General Features

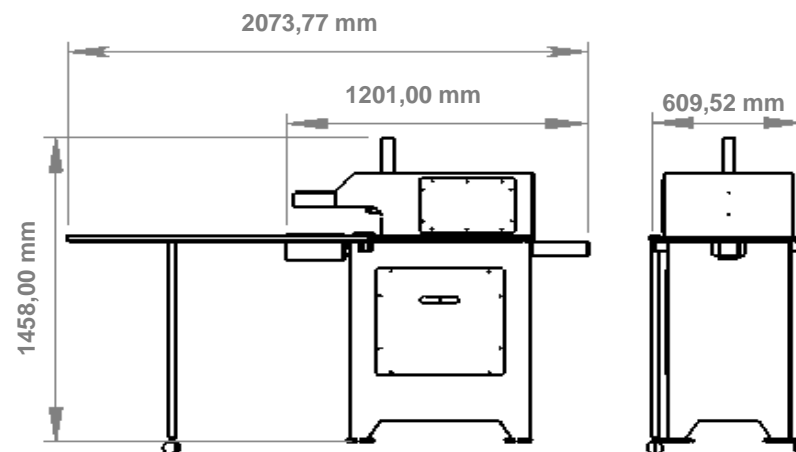
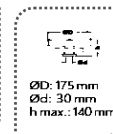
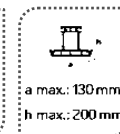
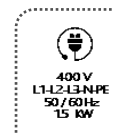
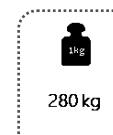
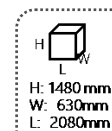
- Digital measuring system has been added to the Automatic Glazing Bead Saw Machine as an option.
- With the digital measuring system, the ability to automatically reach the desired size has been provided
- High precision cutting of PVC glazing beads at 45°
- Saw progress speed settings are done precisely.
- Standard profile measuring and table system
- Cutting two profiles at the same time without molds.
- 12 different profile support systems.





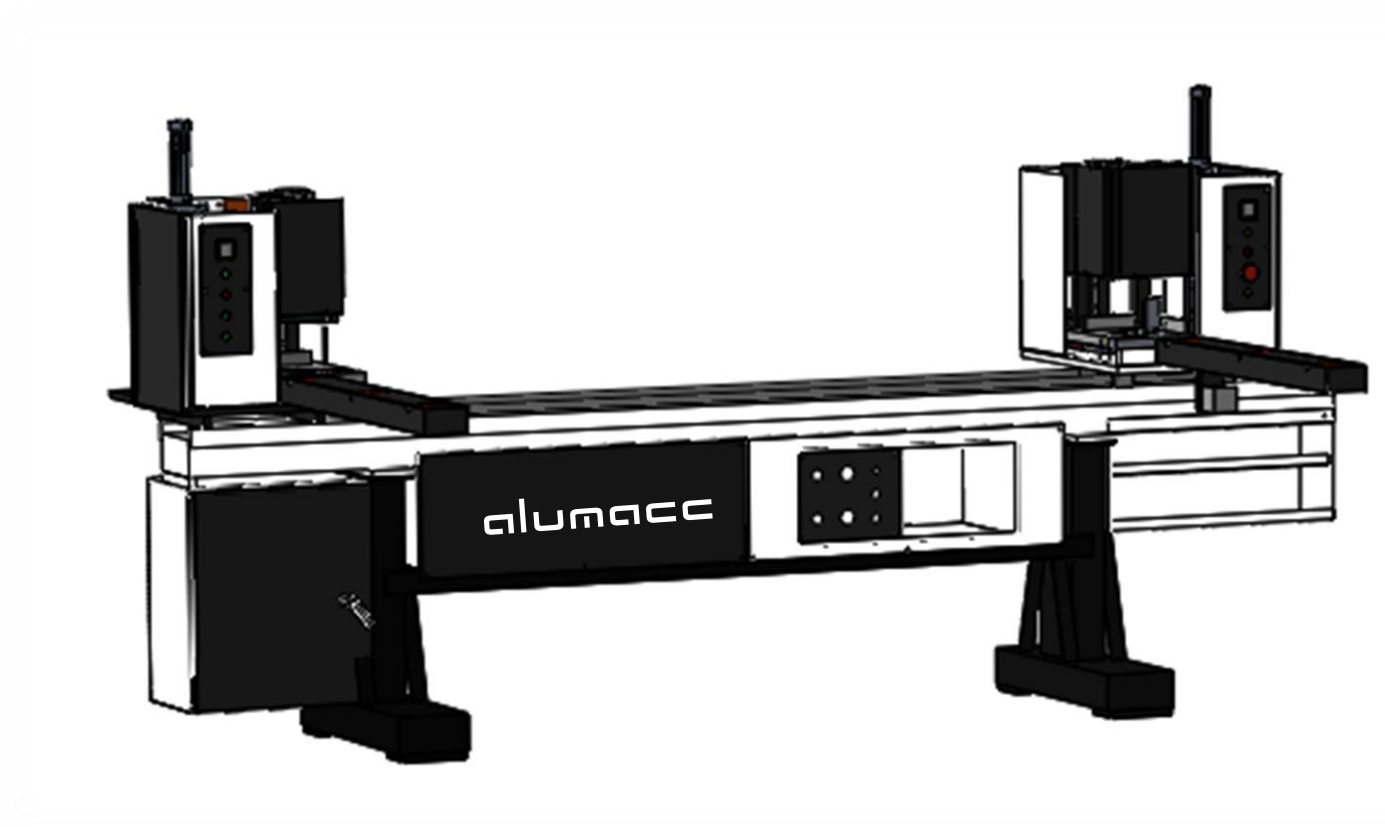
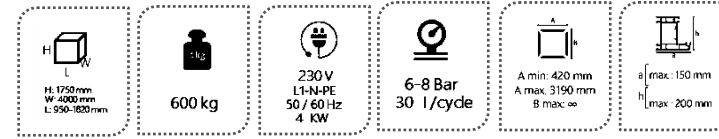
General Features

- Cleans PVC profile corners.
- It makes upper and lower stripping in the desired position and provides the opportunity to clean with a practical setting without coating.
- It provides convenience in profile cleaning thanks to the front and top clamps.
- It is possible to use a two-stage knife.
- Practical shaft changing system available.



General Features

- Performs PVC profiles the double corner welding process.
- Both heads have the possibility to adjust the degree settings separately.
- It provides ease of use with its profile support stand.
- ZIt welds PVC corners as bristle weld (0.2 mm).



alumacc

ALUMINIUM AND PVC MACHINES

**Alumacc Makina reserves the right to make changes in the products in the catalog.*

alumacc

ALUMINIUM AND PVC MACHINES

Address: Ziya Gökalp Mh. Bedrettin Dalan Bulvarı
İkitelli OSB Giyim Sanatkarları Sanayi Sitesi
4.Ada B Blok No:26 34490 Başakşehir / İstanbul-Turkey

E-mail: info@alumacc.com

Phone: +90 532 401 98 60

alumacc.com