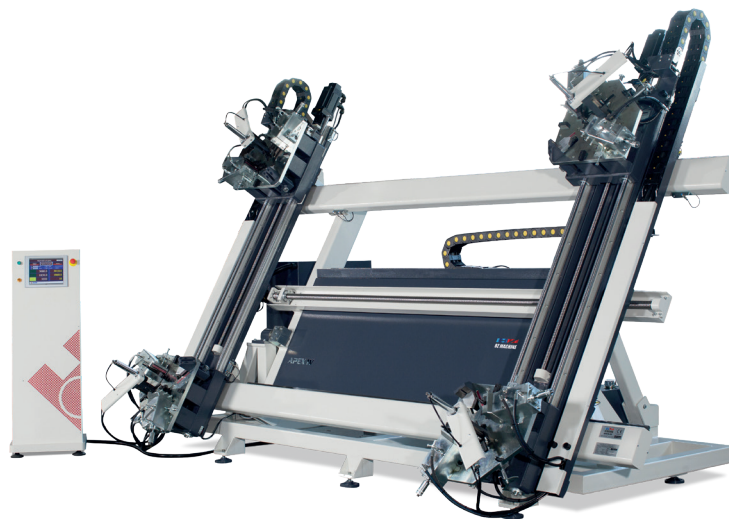


# APEX - IV

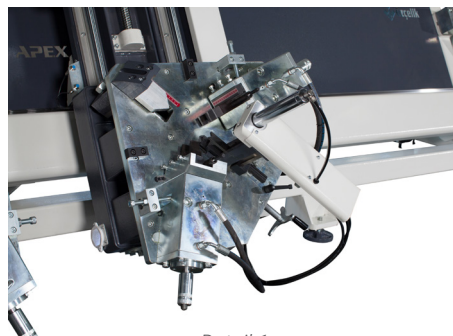
Automatic Hydraulic Four Head Aluminum Corner Crimping Machine



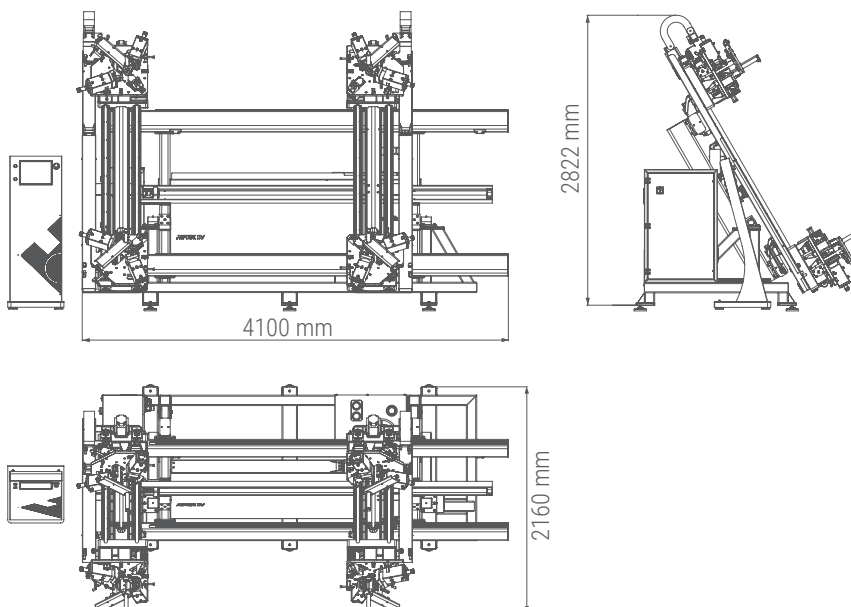
Detail 1

**APEX - IV** features simultaneous assembling of all 4 corners of the profile by combining the precision of servo measuring and power of hydraulic system to offer quick solutions to users.

**APEX - IV** enables a seamless corner assembling process by minimizing user errors thanks to the two-stage hydraulic pressure system.



Detail 1



# APEX - IV

Automatic Hydraulic Four Head Aluminum Corner Crimping Machine

## PROFILE SIZES

Minimum profile length	510 mm - 515 mm
Maximum profile length	2000 mm – 3400 mm

## CRIMPING BLADES

Travel distance	40 mm
Distance between blades	100 mm
5 mm crimping blade set	8 pcs
7 mm crimping blade set	8 pcs

## POSITIONING SPEED

X Axis (Longitudinal)	15 m/min
Y Axis (Lateral)	15 m/min

## ELECTRICAL

Maximum power	8.4 kW
Voltage	400V 3N PE AC
Frequency	50-60 Hz

## AIR

Pressure	6-8 Bar
Air consumption	60,8 L/min

## OPERATIONAL AREA

Safe working area with safety barrier	●
Touchscreen control panel	●
Crimping set for custom profiles	○
Barcode reader	○

● Standard    ○ Optional