

GALAXY - III

Copy Router Machine with Triple Grip Slot Drilling and Water Discharge



Features

Used for cutting appropriate slots on plastic profiles for mounting locks, grips, hinges, latches and opening channels.

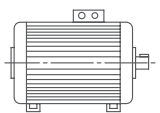
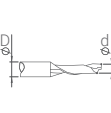
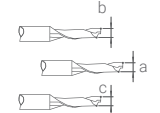
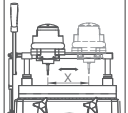
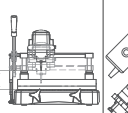
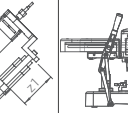
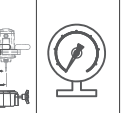
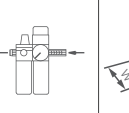





- Copy assembly matching the process
- Ability to open various channels independently of the copy assembly with profile gauges
- Pneumatic clamps
- Triple grip slot drilling system
- Ability to open water discharge channels with various angles and sizes
- Independently operating motors

Standard Equipments

- 5 mm milling cutter (2 pcs)
- Triple drill bit kit
- Profile gauge

Optional Equipments

- Special copy assembly
- Single-phase system
- 8 mm milling cutter
- Cooling system

																			
	HP kW	n r.p.m	3~ Hz	I (A)	∅D mm	∅d mm	n r.p.m	∅b mm	∅a mm	∅c mm	n r.p.m	x mm	z mm	z1 mm	y mm	Air Pressure bar	Air Consumption L / min.	l x w x h (mm)	kg
	1,5 1,1	3000 r.p.m		2,3 A (400 V)			15350 r.p.m	-	-	-	-								
	0,5 0,8	32000 r.p.m	50 60	5 A (220 V)	8 mm	5 mm	32000 r.p.m					255 mm	130 mm	95 mm	110 mm	6 - 8 bar	8 L / min.	2525 x 1000 x 1465 145 kg	
	0,74 0,55	1400 r.p.m		1,2 A (400 V)			-	10 mm	12 mm	10 mm	1975 r.p.m								