





## Servo-assisted 2/2 way piston valve

- Servo-assisted and compact piston valve with diameter of up to DN 13
- Vibration-resistant , screwed coil system
- Increased leak-tightness with welded plunger guiding tube
- Safe opening with hard-coupled piston system
- Explosion proof versions

Product variants described in the data sheet may differ from the product presentation and description.

### Can be combined with

	<b>Type 2518</b> Cable Plug DIN EN 175301 - 803 - Form A	▶
	<b>Type 2513</b> Cable plug acc. to DIN EN 175301 - 803 Form A	▶

### Type description

The 6240 valve is a servo-assisted piston valve. The stopper and plunger guiding tube are welded together to enhance pressure resistance and leak-tightness. Various seal material combinations are available depending on the application. The housing design and surface quality enable maximum flow rates. The coils are moulded with chemically resistant epoxy. An optional sliding ring bearings increases the life cycle with dry gases. In combination with a plug in accordance with DIN EN 175301 - 803 Form A, the valves satisfy protection class IP65. Stainless steel valves satisfy NEMA 4X.

## Table of contents

<b>1. General technical data</b>	<b>3</b>
<b>2. Circuit functions</b>	<b>4</b>
<b>3. Materials</b>	<b>4</b>
3.1. Chemical Resistance Chart – Bürkert resistApp.....	4
3.2. Material specifications standard version .....	4
3.3. Material specifications high pressure version up to 250 bar (MX32) or 160 bar (MX31) – DN 6 .....	5
3.4. Material specifications high pressure version up to 250 bar (MX32) – DN 12 .....	5
3.5. Material specifications steam version (NA67) – DN 13.....	6
<b>4. Dimensions</b>	<b>7</b>
4.1. Standard version.....	7
4.2. High pressure version up to 250 bar (MX32) or 160 bar (MX31) – DN 6.....	8
4.3. High pressure version up to 250 bar (MX32) – DN 12 .....	9
4.4. Version for self-service car wash up to 160 bar (MX31) – Type 8820-6240 .....	10
4.5. ATEX/IECEX version (PX58, PX38 and PX39) .....	11
4.6. DN 13 version .....	12
<b>5. Performance specifications</b>	<b>12</b>
5.1. Electrical power consumption .....	12
<b>6. Product accessories</b>	<b>13</b>
6.1. Cable glands for ATEX/IECEX terminal box .....	13
6.2. Special tool to turn the junction box.....	13
<b>7. Ordering information</b>	<b>14</b>
7.1. Bürkert eShop – Easy ordering and quick delivery.....	14
7.2. Bürkert product filter.....	14
7.3. Ordering chart standard version.....	14
7.4. Ordering chart high temperature version .....	15
7.5. Ordering chart increased pressure range (MW06).....	15
7.6. Ordering chart version DIN EN 161 automatic shut-off valves for gas burners .....	16
7.7. Ordering chart high pressure version DN 6 – pressure ranges up to 160 bar (MX31) .....	16
7.8. Ordering chart high pressure version DN 6 – pressure ranges up to 250 bar (MX32) .....	17
7.9. Ordering chart high pressure version DN 12 – pressure range up to 250 bar (MX32) .....	17
7.10. Ordering chart version self-service car wash 160 bar (MX31) – Type 8820-6240 .....	18
7.11. Ordering chart steam version DN 13 .....	18
7.12. Ordering chart ATEX/IECEX version with 3 meter cable .....	19
Standard version.....	19
High pressure version up to 250 bar (MX32) or 160 bar (MX31).....	19
7.13. Ordering chart ATEX/IECEX terminal box .....	20
Standard version.....	20
High pressure version up to 250 bar (MX32) or 160 bar (MX31).....	20
7.14. Ordering chart accessories.....	21
Cable plug Type 2518, Form A according to DIN EN 175301-803 .....	21
Cable plug Type 2513, form A acc. to DIN EN 175301-803 .....	21
Cable glands for ATEX/IECEX terminal box .....	21
Mounting bracket for Type 6027/6240.....	22

## 1. General technical data

Product properties	
Dimensions	Detailed information can be found in chapter "4. Dimensions" on page 7.
Materials	
Body	Brass, stainless steel
Coil	Epoxy
Orifice	DN 6, DN 12, DN 13 (steam version)
Duty cycle	100 % continuous rating
Coil insulation class	Class H
Performance data	
Response times <sup>1.)</sup>	
Standard DN 6	Opening: 10...20 ms Closing: 40...50 ms
Standard DN 12	Opening: 20...40 ms Closing: 80...100 ms
Steam version DN 13	Opening: 80...100 ms Closing: 200...300 ms
High pressure MX31 and MX32	Opening: 100...200 ms Closing: 300...600 ms
Electrical data	
Voltage tolerance	± 10 %
Electrical power consumption	Detailed information can be found in chapter "5.1. Electrical power consumption" on page 12.
Medium data	
Media (High temperature version)	Neutral gases and liquids, such as e.g. compressed air, water, hydraulic oil, steam and hot mediums
Viscosity	Max. 21 mm <sup>2</sup> /sec
Media temperature	
Standard	<b>Seat seal/Oexternal seal</b> FKM/FKM: - 10 °C...+ 140 °C EPDM/EPDM: - 30 °C...+ 120 °C PTFE/FKM: - 10 °C...+ 140 °C
Standard high temperature	PTFE/PEEK DN 6: - 40 °C...+ 180 °C PTFE/PEEK DN 12: - 40 °C...+ 140 °C
Steam version DN 13	FKM/FKM: 0 °C...+ 140 °C
Approval DIN EN 161 (PO17)	NBR/NBR (PO17): - 10 °C...+ 80 °C
High pressure version up to 250 bar (MX32) or 160 bar (MX31)	PCTFE/FKM: - 10 °C...+ 80 °C PCTFE/EPDM: - 30 °C...+ 80 °C PCTFE/PEEK: - 40 °C...+ 80 °C
Approvals and certificates	
Protection class	IP65 with cable plug, X/IECEx junction box version and cable connection version NEMA 4x with cable plug Type 2518 or Type 2509 with stainless steel versions (other versions on request)
Process/Port connection & communication	
Port connections	G ¼, G ⅜, G ½ (NPT and Rc on request), steam version DN 13 also in G ⅜
Electrical connection	Tag connector acc. DIN EN 175 301 - 803 Form A for cable plug Type 2518 Detailed information can be found in chapter "Cable plug Type 2518, Form A according to DIN EN 175301 - 803" on page 21.
Environment and installation	
Ambient temperature	Max. 55 °C
Installation	As required, preferably with actuator upright

1.) Measured at the outlet with 6 bar inlet pressure at 20 °C

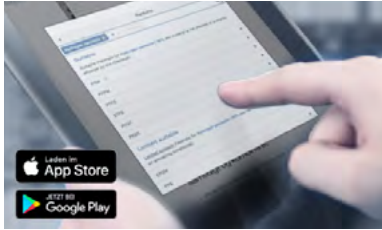
Opening: Pressure build-up 0...90 %, Closing: Pressure decrease 100...10 %

## 2. Circuit functions

Circuit functions	Description
	<b>Type: A, solenoid valve</b> 2/2 way Servo-controlled Normally closed
	<b>Type: B, solenoid valve</b> 2/2 way Servo-controlled Normally open

## 3. Materials

### 3.1. Chemical Resistance Chart – Bürkert resistApp

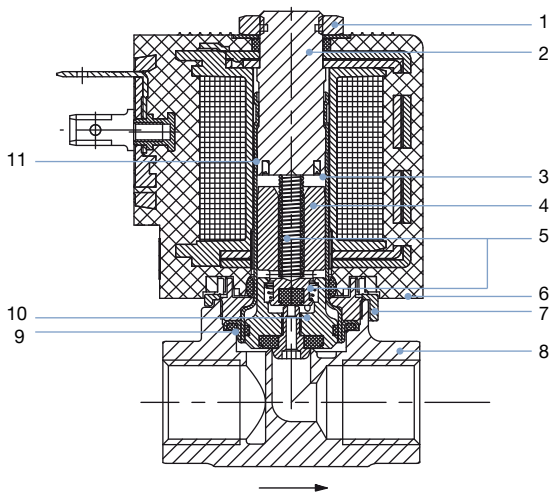


**Bürkert resistApp – Chemical Resistance Chart**

You want to ensure the reliability and durability of the materials in your individual application case? Verify your combination of media and materials on our website or in our resistApp.

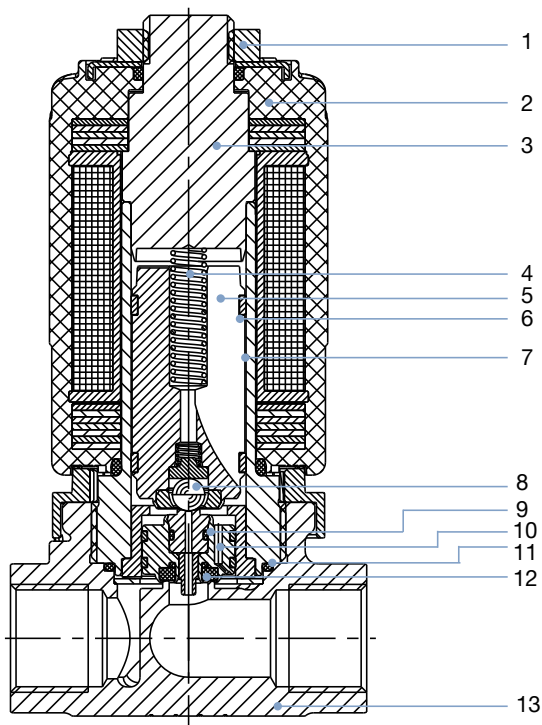
[Start Chemical Resistance Check](#)

### 3.2. Material specifications standard version



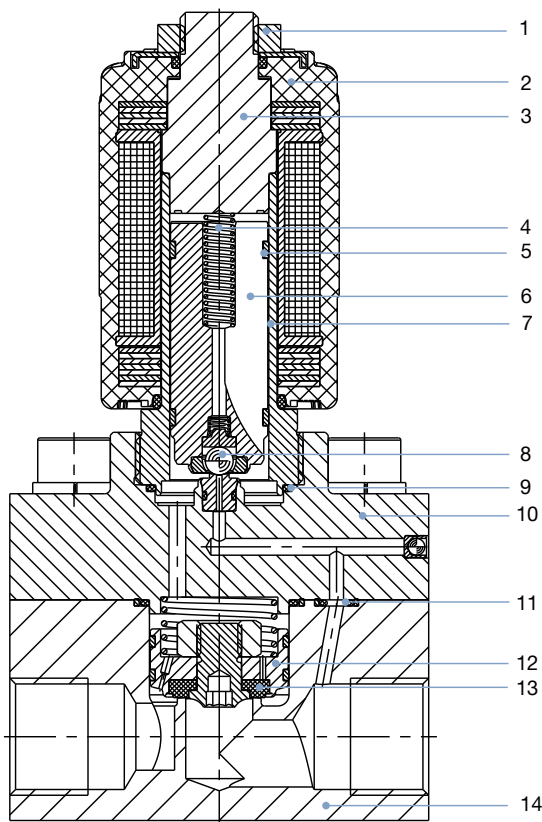
No.	Element	Material
1	Nut	Steel (surface finish thick film passivated) (Brass version) Stainless steel 1.4305 PTFE (Stainless steel version)
2	Stopper	1.4113
3	Armature guide tube	1.4303
4	Guide ring	PTFE coal-filled
5	Springs	1.4310
6	Coil	Epoxy
7	Safety lock	PPS
8	Body	Brass/stainless steel 1.4404
9	Seal facing outwards	FKM/EPDM/PEEK (high temperature version)
10	Piston complete	Brass/stainless steel 1.4305 Stainless steel PEEK PTFE coal-filled FKM/EPDM/PTFE (PTFE for high temperature and PTFE/FKM for high pressure versions)
11	Shading ring	Copper/silver

**3.3. Material specifications high pressure version up to 250 bar (MX32) or 160 bar (MX31) – DN 6**



No.	Element	Material
1	Nut	1.4305
2	Coil	Epoxy
3	Stopper	1.4523
4	Spring	1.4310
5	Core coupling	1.4113, 1.4305
6	Glide ring	PTFE coal-filled
7	Guide tube	1.4571
8	Core seal	Ceramic ball
9	Piston coupling	1.4305, PEEK, PTFE coal-filled
10	Piston guide	1.4305
11	Seal	FKM, EPDM
12	Seat seal	PCTFE
13	Body	Stainless steel 1.4404

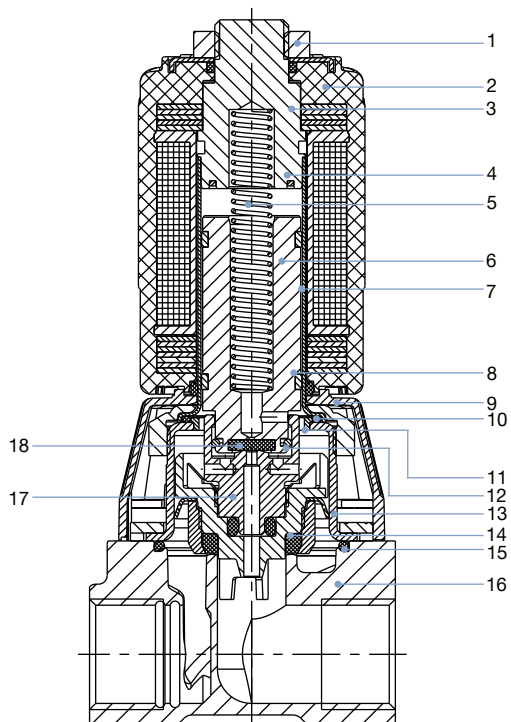
**3.4. Material specifications high pressure version up to 250 bar (MX32) – DN 12**



No.	Element	Material
1	Nut	1.4305 PTFE coated
2	Coil	Epoxy
3	Stopper	1.4523
4	Spring	1.4310
5	Glide ring	PTFE coal-filled
6	Core coupling	1.4113, 1.4305
7	Guide tube	1.4571
8	Core seal	Ceramic ball
9	Outer seal	FKM, EPDM
10	Flange coupling	Stainless steel 1.4404, PEEK, FKM/EPDM
11	Outer seal	FKM, EPDM
12	Piston coupling	1.4305, PTFE coal-filled
13	Seat seal	PCTFE
14	Body	Stainless steel 1.4404

DTS 1000089730 EN Version: Z Status: RL (released | freigegeben | validé) printed: 26.04.2021

3.5. Material specifications steam version (NA67) – DN 13



No.	Element	Material
1	Nut	1.4305
2	Coil	Epoxy
3	Stopper	1.4105
4	Shading ring	Silver
5	Spring	1.4310
6	Core	1.4113
7	Guide tube	1.4303
8	Glide ring	PTFE coal filled
9	Cover	PA6
10	Seal	FKM
11	Support ring	PPS Fortron
12	Coupling ring	PEEK
13	Holding cap	1.4301
14	Seat gasket	FKM
15	Outer seal	FKM
16	Body	Brass, stainless steel 1.4408
17	Piston coupling	1.4401, PPS Fortron, PTFE, PEEK, FKM
18	Core seal	FKM

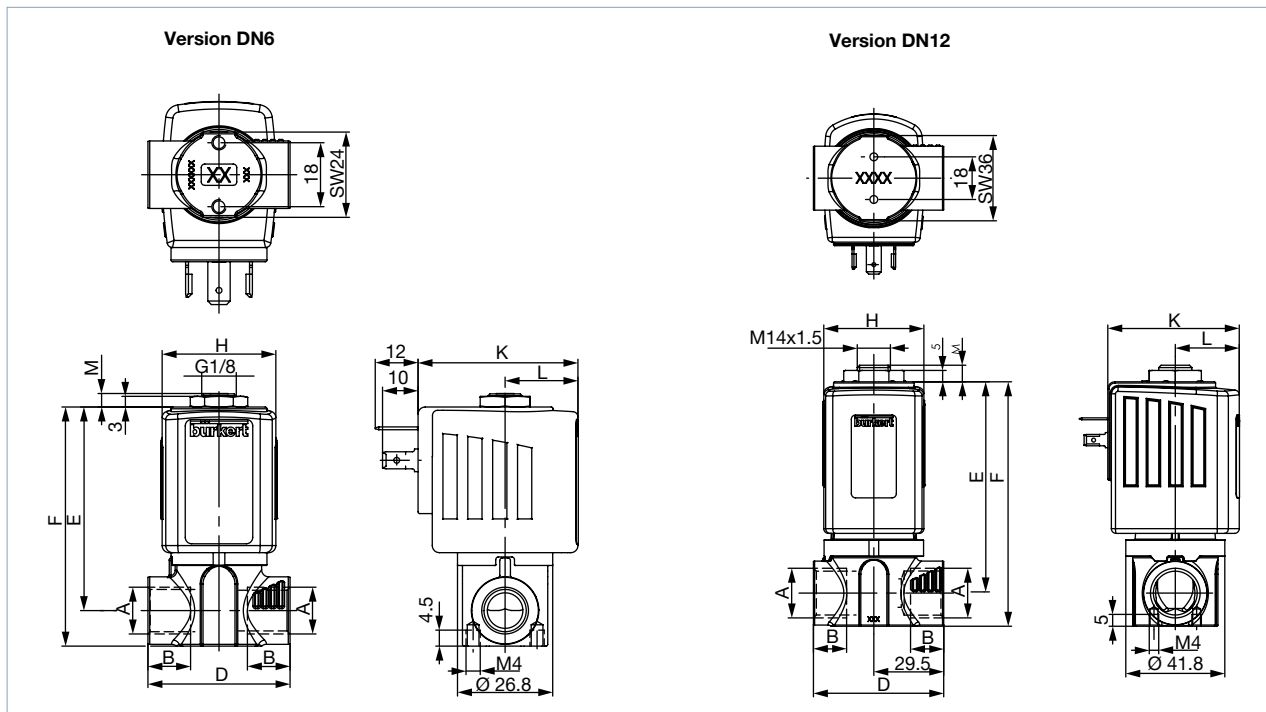
DTS 1000089730 EN Version: Z Status: RL (released | freigegeben | validé) printed: 26.04.2021

## 4. Dimensions

### 4.1. Standard version

**Note:**

Dimensions in mm



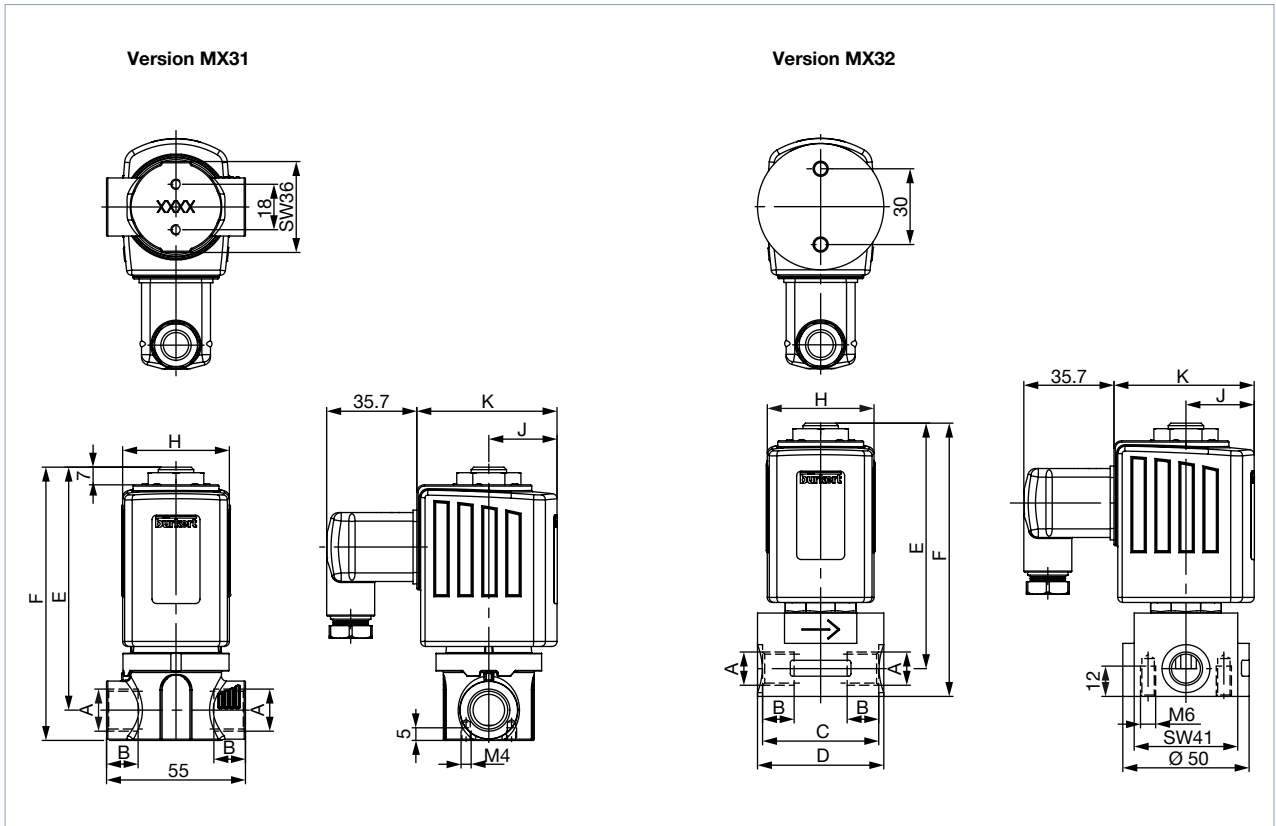
A (Body connection)	B	D	E	F	M	H	K	L
<b>DN 6</b>								
G ¼	12	40	57.3	67.3	3.7	32	45	20.5
NPT ¼	10							
RC ¼	9.7							
G ⅜	12	50	58.3	70.3				
NPT ⅜	10.3							
RC ⅜	10.1							
G ¼	12	40	57.3	67.3	3.7	40	51	23.5
NPT ¼	10							
RC ¼	9.7							
G ⅜	12	50	58.3	70.3				
NPT ⅜	10.3							
RC ⅜	10.1							
<b>DN 12</b>								
G ½	14	55	89	103	7.5	42	55.5	27
NPT ½	13.7							
RC ½	13.2							

DTS 1000089730 EN Version: Z Status: RL (released | freigegeben | valide) printed: 26.04.2021

4.2. High pressure version up to 250 bar (MX32) or 160 bar (MX31) – DN 6

**Note:**

Dimensions in mm



A	B	E	F
G ¼	13	95.2	105.2
NPT ¼	10	95.2	105.2
G ⅜	12	96.2	108.2
NPT ⅜	10.3	96.2	108.2

Coil size	H	J	K
K	42	27	55.5
L	65	37.5	72

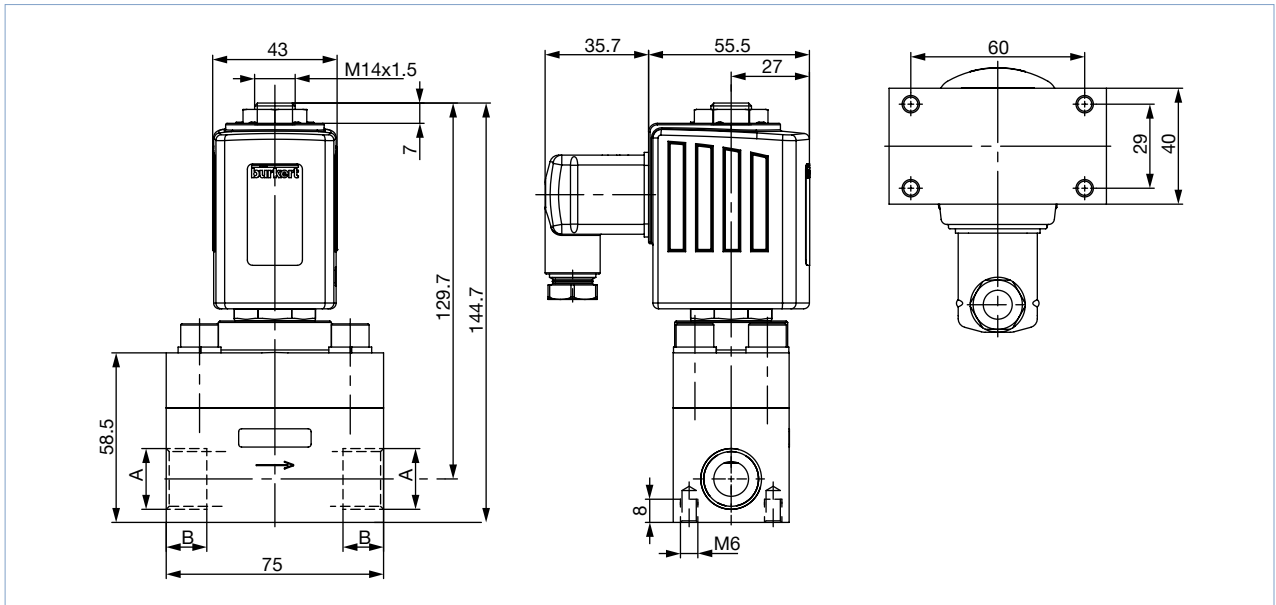
A	B	C	D	E	F
G ¼	13	46	Ø 50	97.2	108.2
NPT ¼	10	46	Ø 50	97.2	108.2
G ⅜	12.5	44	44.4	98.7	111.2
NPT ⅜	10.3	44	44.4	98.7	111.2



4.3. High pressure version up to 250 bar (MX32) – DN 12

**Note:**

Dimensions in mm

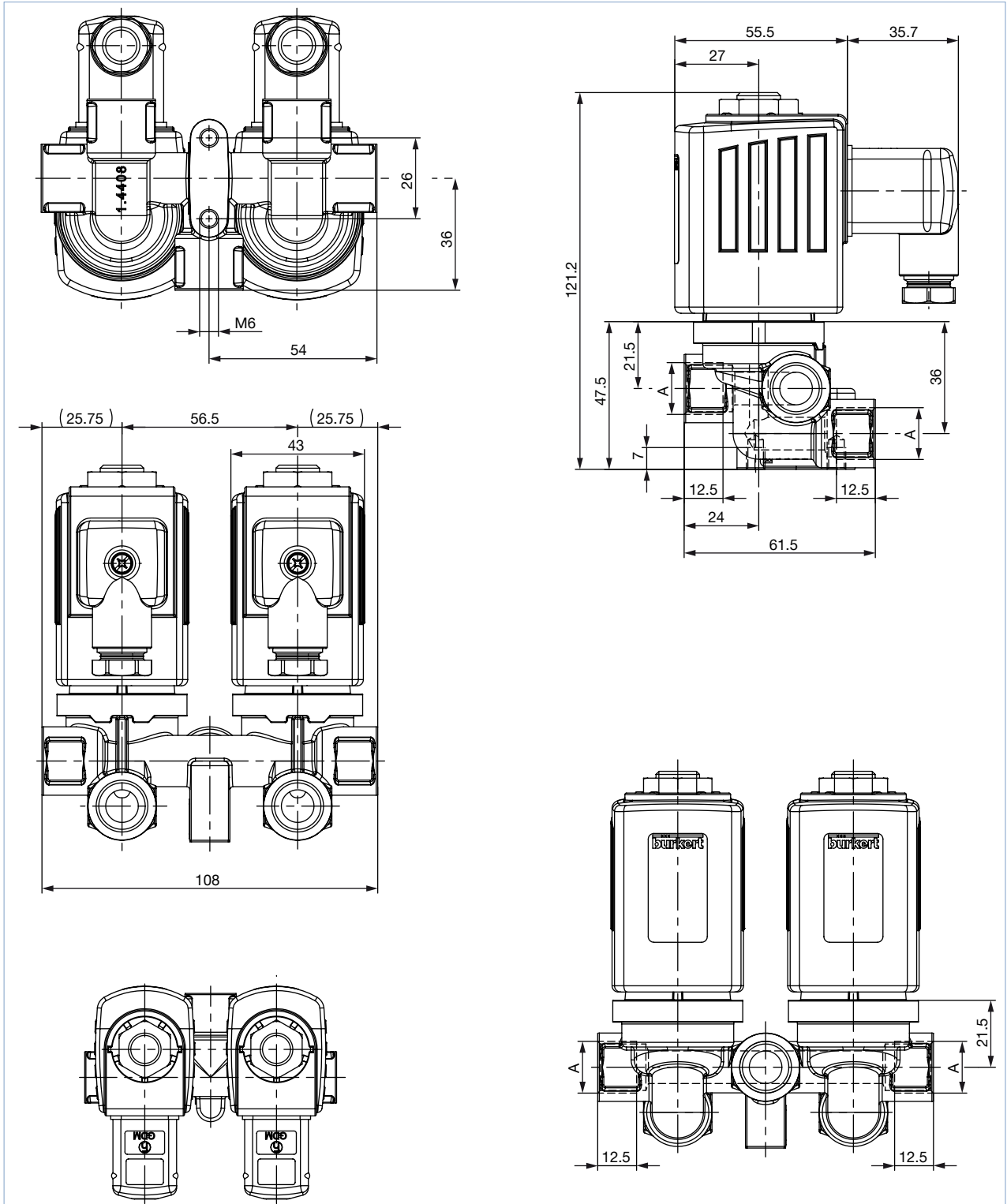


A	B
G ½	14
NPT ½	13.7

4.4. Version for self-service car wash up to 160 bar (MX31) – Type 8820-6240

**Note:**

Dimensions in mm

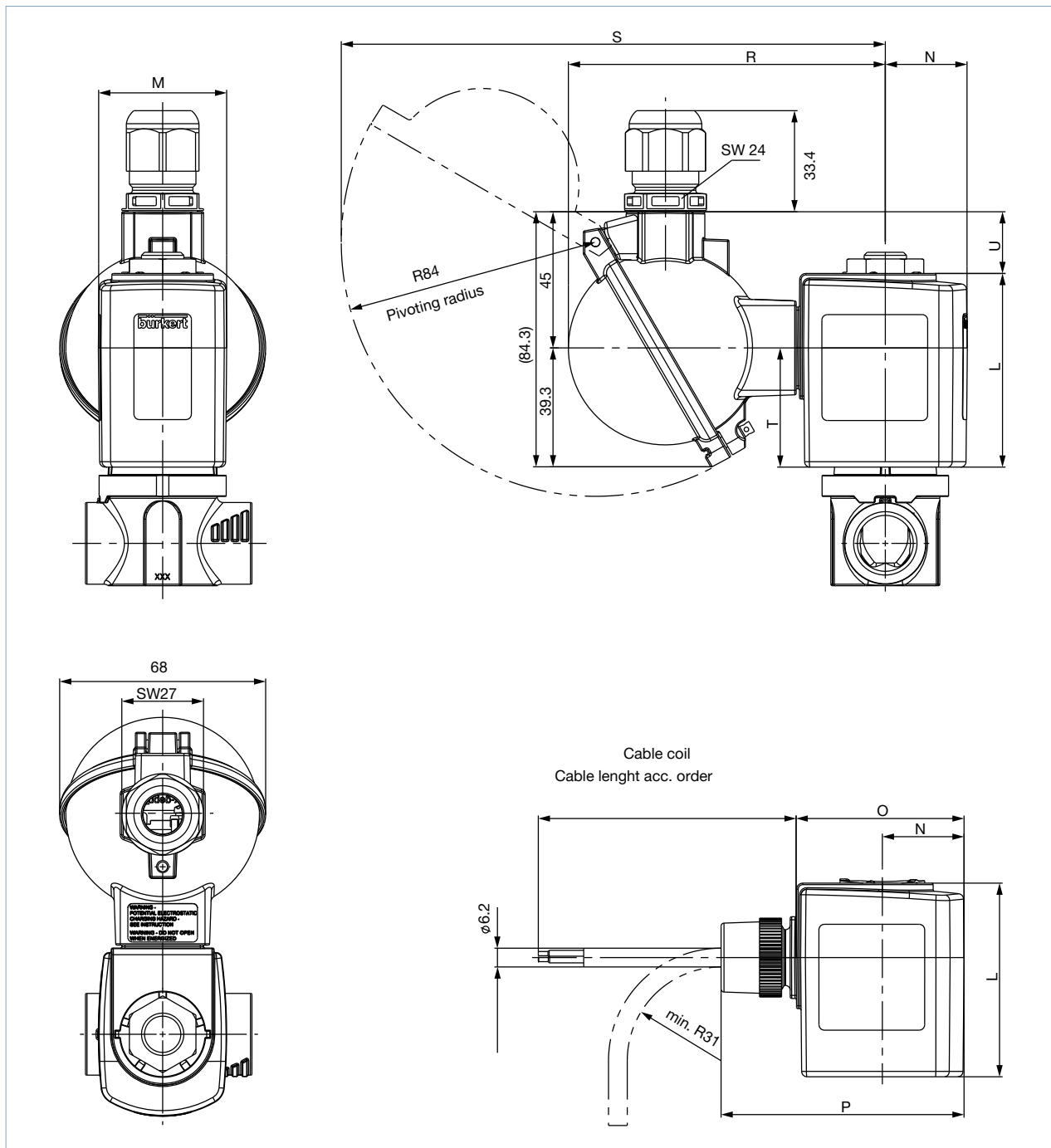


Version	A
AH40	G ¼
AH37	G ⅜

DTS 1000089730 EN Version: Z Status: RL (released | freigegeben | valide) printed: 26.04.2021

4.5. ATEX/IECEx version (PX58, PX38 and PX39)

**Note:**  
Dimensions in mm



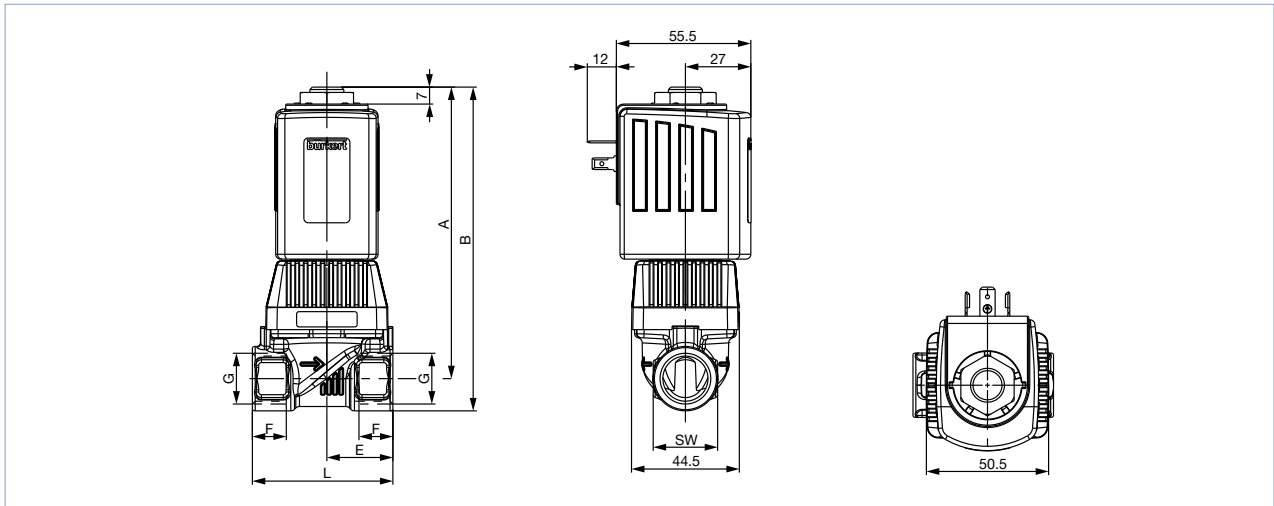
Var. Code	Coil size	M	N	O	P	L	R	S	T	U
PX32	6	40	23.5	52	74.8	41.3	102.8	177.5	26	29.7
PX38	K	42	27	55.5	80.3	64	104.8	179.8	39.4	20.4
PX39	L	65	37.5	72	97	64	110.8	185.8	39.4	20.4

DTS 1000089730 EN Version: Z Status: RL (released | freigegeben | valide) printed: 26.04.2021

#### 4.6. DN 13 version

**Note:**

- For G threads sizes F1 and G1 apply.
- For NPT threads sizes F2 and G2 apply.
- For Rc threads sizes F3 and G3 apply.
- Dimensions in mm



Material	DN	A	B	E	F1	G1	F2	G2	F3	G3	L	SW
Brass	13	120.35	133.85	27.25	14	G 1/2	13.7	NPT 1/2	13.2	Rc 1/2	58	27
Stainless steel	13	120.35	133.85	32.5	14	G 1/2	13.7	NPT 1/2	13.2	Rc 1/2	65	27
Brass and stainless steel	13	122.35	138.35	32.5	16	G 3/4	14	NPT 3/4	14.5	Rc 3/4	65	32

### 5. Performance specifications

#### 5.1. Electrical power consumption

**Note:**

KD coil AC/DC „Kick and Drop“ coil (KD coil) features integrated electronics for short-term power increase and reduction in double-coil technology.


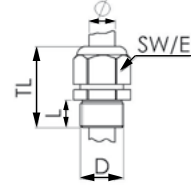

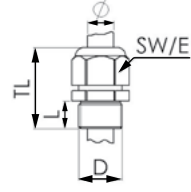
Coil size	AC			DC		KD-Coil AC/DC		
	Inrush	Hold		Cold	Warm	Cold Inrush	Cold Hold	Warm Hold
[mm]	[VA]	[VA]	[W]	[W]	[W]	[W] 500 ms	[W]	[W]
32 (5)	32	18	8	12	10	-	-	-
40 (6)	40	23	10	14	12	-	-	-
40 (6) ATEX	-	-	-	9	7.5	-	-	-
42 (K)	150	37	16	21	16	85	8.5	7
42 (K) ATEX	-	-	-	15	12	44	6.5	5.5
65 (L)	-	-	-	28	21	-	-	-

## 6. Product accessories

### 6.1. Cable glands for ATEX/IECEX terminal box

**Note:**

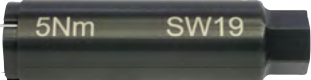
- A cable gland in polyamide version is included in the delivery. A nickel-plated brass version can be ordered at a surcharge.
- This special tool is not supplied with the valve (see [“Cable glands for ATEX/IECEX terminal box”](#) on page 21)

Description	Ex-Approval		Dimensions											
	Certification	Identification												
Ex cable gland, Brass, nickel-plated, 6...13 mm 	PTB 04 ATEX 1112 X, IECEx PTB 13.0027X	II 2 G Ex e IIC Gb, I 2 D Ex tb IIIC Db IP68		<table border="1"> <tr><td>TL</td><td>29...37 mm</td></tr> <tr><td>L</td><td>6 mm</td></tr> <tr><td>D</td><td>20 mm</td></tr> <tr><td>SW</td><td>24 mm</td></tr> <tr><td>E</td><td>27 mm</td></tr> </table>	TL	29...37 mm	L	6 mm	D	20 mm	SW	24 mm	E	27 mm
TL	29...37 mm													
L	6 mm													
D	20 mm													
SW	24 mm													
E	27 mm													
Ex cable gland, Polyamide, 7...13 mm 	PTB 13 ATEX 1015 X, IECEx PTB 13.0034X	II 2 G Ex e IIC Gb, II 2 D Ex tb IIIC Db IP68		<table border="1"> <tr><td>TL</td><td>36...45 mm</td></tr> <tr><td>L</td><td>10 mm</td></tr> <tr><td>D</td><td>20 mm</td></tr> <tr><td>SW</td><td>24 mm</td></tr> <tr><td>E</td><td>28 mm</td></tr> </table>	TL	36...45 mm	L	10 mm	D	20 mm	SW	24 mm	E	28 mm
TL	36...45 mm													
L	10 mm													
D	20 mm													
SW	24 mm													
E	28 mm													

### 6.2. Special tool to turn the junction box


**Note:**

This special tool is not supplied with the valve (see [“Cable glands for ATEX/IECEX terminal box”](#) on page 21).

Set SC02-AC10	
	<b>Set includes:</b> <ul style="list-style-type: none"> <li>• Special wrench</li> <li>• Service manual</li> </ul>

## 7. Ordering information

### 7.1. Bürkert eShop – Easy ordering and quick delivery




**Bürkert eShop – Easy ordering and fast delivery**

You want to find your desired Bürkert product or spare part quickly and order directly? Our online shop is available for you 24/7. Sign up and enjoy all the benefits.

[Order online now](#)

### 7.2. Bürkert product filter



**Bürkert product filter – Get quickly to the right product**

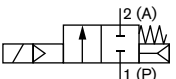
You want to select products comfortably based on your technical requirements? Use the Bürkert product filter and find suitable articles for your application quickly and easily.

[Try out our product filter](#)

### 7.3. Ordering chart standard version

**Note:**

- Please note that the cable plug must be ordered separately, see [“Cable plug Type 2518, Form A according to DIN EN 175301-803” on page 21](#) or separate data sheet for **Type 2518** ▶.
- Other versions with alternative voltages, NPT or RC internal thread, seal material EPDM/EPDM available on request.

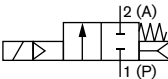
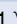
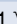
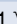
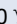
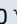
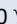
Circuit function	Port connection	Orifice [mm]	K <sub>v</sub> value water [m³/h]	Pressure range [bar]	Coil size [mm]	Article no. acc. to voltage/frequency		
						024/DC [V/Hz]	024/50 [V/Hz]	230/50 [V/Hz]
<b>G internal thread, seal material FKM/FKM</b>								
<b>A, solenoid valve</b> 2/2 way Servo-controlled Normally closed  	<b>Brass body</b>							
	G ¼	6.0	0.6	0...16	32	177800	177801	177802
	G ⅜	6.0	0.6	0...16	32	177803	177804	177805
	<b>Stainless steel body</b>							
G ¼	6.0	0.6	0...16	32	177806	177807	177808	
G ½	12.0	2.2	0...16	42	238632	238633	238634	

DTS 1000089730 EN Version: Z Status: RL (released | freigegeben | validé) printed: 26.04.2021

## 7.4. Ordering chart high temperature version

## Note:

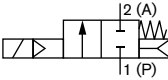






- Please note that the cable plug must be ordered separately, see “[Cable plug Type 2518, Form A according to DIN EN 175301-803](#)” on page 21 or separate data sheet for **Type 2518** ▶.
- Other versions with alternative voltages, NPT or RC internal thread, seal material EPDM/EPDM available on request.

Circuit function	Port connection	Orifice [mm]	K <sub>v</sub> value water [m <sup>3</sup> /h]	Pressure range		Coil size [mm]	Article no. acc. to voltage/frequency		
				[bar]	[bar]		024/DC [V/Hz]	024/50 [V/Hz]	230/50 [V/Hz]
<b>G internal thread, stainless steel body, seal material PTFE/PEEK</b>									
<b>A, solenoid valve</b> 2/2 way Servo-controlled Normally closed  	<b>Medium temperature -40...+180 °C</b>								
	G ¼	6.0	0.6	0...16		32	184739 	184740 	184741 
<b>Medium temperature -40...+140 °C</b>									
	G ½	12.0	2.2	0...25		42	238638 	238639 	238640 

## 7.5. Ordering chart increased pressure range (MW06)

## Note:

- Please note that the cable plug must be ordered separately, see “[Cable plug Type 2518, Form A according to DIN EN 175301-803](#)” on page 21 or separate data sheet for **Type 2518** ▶.
- Other versions with alternative voltages, NPT or RC internal thread, seal material EPDM/EPDM available on request.

Circuit function	Port connection	Orifice [mm]	K <sub>v</sub> value water [m <sup>3</sup> /h]	Pressure range		Coil size [mm]	Article no. acc. to voltage/frequency		
				liquids [bar]	gases [bar]		024/DC [V/Hz]	024/50 [V/Hz]	230/50 [V/Hz]
<b>G internal thread, brass body, seal material PTFE/FKM</b>									
<b>Medium temperature -40...+180 °C</b>									
<b>A, solenoid valve</b> 2/2 way Servo-controlled Normally closed  	G ¼	6.0	0.6	0...25	0...40	40	184742 	184743 	184744 
	G ⅜	6.0	0.6	0...25	0...40	40	184745 	184746 	184747 

### 7.6. Ordering chart version DIN EN 161 automatic shut-off valves for gas burners

**Note:**

Other versions with alternative voltages, body material and connection combinations are available on request.

Circuit function	Port connection	Orifice [mm]	K <sub>v</sub> value water [m <sup>3</sup> /h]	Max. media pressure gas [bar]	Body material [bar]	Coil size [mm]	Article no. acc. to voltage/frequency		
							024/DC	024/50	230/50
							[V/Hz]	[V/Hz]	[V/Hz]
<b>G internal thread, brass body, seal material NBR/NBR</b>									
<b>A, solenoid valve</b> 2/2 way Servo-controlled Normally closed  	G ¼	6.0	0.6	0...5	Brass	32	253501	On request	287855
	G ½	12.0	2.2	0...5	Stainless steel	42	253502	On request	287438

### 7.7. Ordering chart high pressure version DN 6 – pressure ranges up to 160 bar (MX31)

**Note:**

- KD-coil (Kick and Drop) features integrated electronics for short-term power increase and reduction in double-coil technology.
- Other versions with alternative voltages, seal materials, NPT or RC internal thread are available on request.
- For the following table applies: Orifice 6.0 and KV-value water [m<sup>3</sup>/h] 0.75.
- Due to the wear-resistant PCTFE seat seals, a seat tightness of <2 cm<sup>3</sup>/min (air 20 °C) is guaranteed from a differential pressure of 20 bar or higher.

Circuit function	Port connection	Max. pressure difference [bar]						Coil size [mm]	Article no. acc. to voltage/frequency		
		Water		Oil		Air			024/DC	024/50	230/50
		DC	AC	DC	AC	DC	AC		[V/Hz]	[V/Hz]	[V/Hz]
<b>Body material stainless steel, G internal thread, seal material PCTFE/FKM, cable plug with integrated rectifier for AC included in delivery</b>											
<b>A, solenoid valve</b> 2/2 way Servo-controlled Normally closed  	G ¼	1...100	1...100	1...80	1...80	1...100	1...100	42	300602	-	300603
	G ¼	-	1...90	-	1...60	-	1...90	42	-	318327	-
	G ⅜	1...120	1...120	1...80	1...80	1...120	1...120	42	323476	-	323477
	G ⅜	-	1...90	-	1...60	-	1...90	42	-	323478	-

DTS 1000089730 EN Version: Z Status: RL (released | freigegeben | validé) printed: 26.04.2021



### 7.8. Ordering chart high pressure version DN 6 – pressure ranges up to 250 bar (MX32)

**Note:**

- KD-coil (Kick and Drop) features integrated electronics for short-term power increase and reduction in double-coil technology.
- Other versions with alternative voltages, seal materials, NPT or RC internal thread are available on request.
- For the following table applies: Orifice 6.0 and  $K_v$ -value water [m<sup>3</sup>/h] 0.75.
- Due to the wear-resistant PCTFE seat seals, a seat tightness of <2 cm<sup>3</sup>/min (air 20 °C) is guaranteed from a differential pressure of 20 bar or higher.

Circuit function	Port connection	Max. pressure difference [bar]						Coil size [mm]	Article no. acc. to voltage		
		Water		Oil		Air			24 V DC	24 V AC/DC	230 V AC
		DC	AC	DC	AC	DC	AC				
<b>Body material stainless steel, G internal thread, seal material PCTFE/FKM</b>											
<b>A, solenoid valve</b> 2/2 way Servo-controlled Normally closed 	G ¼	1...230	-	1...200	-	1...250	-	65	319700 ☞	-	-
	G ¼	-	1...230	-	1...200	-	1...250	42 (KD coil)	-	323479 ☞	323480 ☞
	G ⅜	1...230	1...120	1...200	-	1...250	-	65	323481 ☞	-	-
	G ⅜	-	1...230	-	1...200	-	1...250	42 (KD coil)	-	323482 ☞	323483 ☞

### 7.9. Ordering chart high pressure version DN 12 – pressure range up to 250 bar (MX32)

**Note:**

- Other versions with alternative voltages, seal materials, NPT or RC internal thread are available on request.
- For the following table applies: Orifice 12.0 and  $K_v$ -value water [m<sup>3</sup>/h] 2.2.
- Due to the wear-resistant PCTFE seat seals, a seat tightness of <2 cm<sup>3</sup>/min (air 20 °C) is guaranteed from a differential pressure of 20 bar or higher.

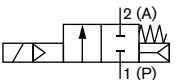
Circuit function	Port connection	Max. pressure difference [bar]						Coil size [mm]	Article no. acc. to voltage/frequency		
		Water		Oil		Air			024/DC [V/Hz]	024/50 [V/Hz]	230/50 [V/Hz]
		DC	AC	DC	AC	DC	AC				
<b>Body material stainless steel, G internal thread, seal material PCTFE/FKM, cable plug with integrated rectifier for AC included in delivery</b>											
<b>A, solenoid valve</b> 2/2 way Servo-controlled Normally closed 	G ½	1...250	1...250	1...250	1...250	1...250	1...250	42	312895 ☞	-	314877 ☞
	G ½	1...250	1...250	1...200	1...200	1...250	1...250	42	-	323484 ☞	-
<b>B, solenoid valve</b> 2/2 way Servo-controlled Normally open 	G ½	1...200	1...200	1...150	1...150	1...250	1...250	42	314875 ☞	323485 ☞	323486 ☞

DTS 1000089730 EN Version: Z Status: RL (released | freigegeben | valide) printed: 26.04.2021

### 7.10. Ordering chart version self-service car wash 160 bar (MX31) – Type 8820 - 6240

**Note:**

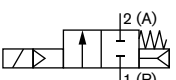
Other versions with alternative voltages, NPT or RC internal thread are available on request.

Circuit function	Port connection	Orifice single valve [mm]	K <sub>v</sub> -value water single valve [m <sup>3</sup> /h]	Max. pressure difference [bar]	Coil size [mm]	Article no. acc. to voltage/frequency	
						024/DC [V/Hz]	230/50 [V/Hz]
<b>Seal material PCTFE/FKM</b>							
<b>Stainless steel body</b>							
<b>A, solenoid valve</b> 2/2 way Servo-controlled Normally closed 	G 1/4	6.0	0.75	1...120	42	333330	333331
	G 3/8	6.0	0.75	1...120	42	360692	320736

### 7.11. Ordering chart steam version DN 13

**Note:**

Other versions with alternative voltages, NPT or RC internal thread are available on request.

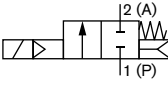






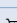
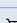


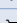
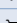
Circuit function	Port connection	Orifice [mm]	K <sub>v</sub> -value water [m <sup>3</sup> /h]	Max. media pressure steam [bar]	Coil size [mm]	Article no. acc. to voltage/frequency	
						024/50 [V/Hz]	230/50 [V/Hz]
<b>Seal material FKM/FKM</b>							
<b>A, solenoid valve</b> 2/2 way Servo-controlled Normally closed 	<b>Brass body</b>						
	G 1/2	13.0	3.3	0...4	42	315069	244912
	G 3/4	13.0	3.3	0...4	42	315072	244915
	<b>Stainless steel body</b>						
	G 1/2	13.0	3.3	0...4	42	323434	323436
G 3/4	13.0	3.3	0...4	42	323437	323438	

## 7.12. Ordering chart ATEX/IECEX version with 3 meter cable

## Standard version

## Note:

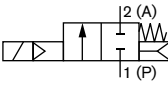








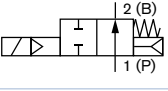
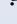
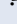
- Other versions with alternative voltages, NPT or RC internal thread, seal material EPDM/EPDM or PTFE/PEEK available on request.
- KD-coil (Kick and Drop) features integrated electronics for short-term power increase and reduction in double-coil technology.

Circuit function	Port connection	Orifice	K <sub>v</sub> -value water	Pressure range	Coil size	Article no. acc. to voltage	
		[mm]	[m <sup>3</sup> /h]	[bar]	[mm]	24 V AC/DC	230 V AC
<b>G internal thread, seal material FKM/FKM</b>							
<b>A, solenoid valve</b> 2/2 way Servo-controlled Normally closed 	<b>Brass body</b>						
	G ¼	6.0	0.6	0...16	40	349315 	349316 
	G ⅜	6.0	0.6	0...16	40	349318 	349320 
	<b>Stainless steel body</b>						
	G ¼	6.0	0.6	0...16	40	349322 	349324 
	G ⅜	6.0	0.6	0...16	40	349326 	349329 
	G ½	12.0	2.2	0...10	42	380838 	380844 
G ½	12.0	2.2	0...40	42 (KD coil)	380841 	380846 	

## High pressure version up to 250 bar (MX32) or 160 bar (MX31)

## Note:

- Other versions with alternative voltages, NPT or RC internal thread, seal material EPDM/EPDM available on request.
- KD-coil (Kick and Drop) features integrated electronics for short-term power increase and reduction in double-coil technology.

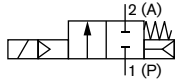
Circuit function	Port connection	Orifice [mm]	K <sub>v</sub> -value water [m <sup>3</sup> /h]	Standard medium pressure max. [bar]			Coil size [mm]	Article no. acc. to voltage	
				Water	Oil	Air		24 V AC/DC	230 V AC
<b>Body material stainless steel with female G-thread, seal material PCTFE/FKM</b>									
<b>A, solenoid valve</b> 2/2 way Servo-controlled Normally closed 	<b>Pressure rating up to 160 bar</b>								
	G ¼	6.0	0.6	1...160	1...120	1...160	42 (KD coil)	380808 	380810 
	G ⅜	6.0	0.6	1...160	1...120	1...160	42 (KD coil)	380812 	380813 
	<b>Pressure rating up to 250 bar</b>								
	G ½	12.0	2.2	1...200	1...150	1...250	42	380820 	380825 
	G ½	12.0	2.2	1...250	1...250	1...250	42 (KD coil)	380823 	380826 
<b>B, solenoid valve</b> 2/2 way Servo-controlled Normally open 	G ½	12.0	2.2	1...200	1...150	1...250	42 (KD coil)	380849 	380851 

### 7.13. Ordering chart ATEX/IECEX terminal box

#### Standard version

**Note:**

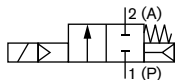
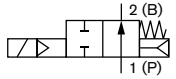
- Other versions with alternative voltages, NPT or RC internal thread, seal material EPDM/EPDM of PTFE/PEEK available on request.
- KD-coil (Kick and Drop) features integrated electronics for short-term power increase and reduction in double-coil technology.

Circuit function	Port connection	Orifice	K <sub>v</sub> -value water	Pressure range	Coil size	Article no. acc. to voltage	
		[mm]	[m <sup>3</sup> /h]	[bar]	[mm]	24 V AC/DC	230 V AC/DC
<b>G internal thread, seal material FKM/FKM</b>							
<b>A, solenoid valve</b> 2/2 way Servo-controlled Normally closed 	<b>Brass body</b>						
	G ¼	6.0	0.6	0...16	40	349314	349317
	G ¾	6.0	0.6	0...16	40	349319	349321
	<b>Stainless steel body</b>						
	G ¼	6.0	0.6	0...16	40	349323	349325
	G ¾	6.0	0.6	0...1.5	40	349327	349328
	G ½	12.0	2.2	0...10	42	380836	380843
G ½	12.0	2.2	0...40	42 (KD coil)	380840	380845	

#### High pressure version up to 250 bar (MX32) or 160 bar (MX31)

**Note:**

- Due to the wear-resistant PCTFE seat seals, a seat tightness of <2 cm<sup>3</sup>/min (air 20 °C) is guaranteed from a differential pressure of 20 bar or higher.
- Other versions with alternative voltages, NPT- or RC-internal thread, seal material PCTFE/EPDM are available on request.
- KD-coil (Kick and Drop) features integrated electronics for short-term power increase and reduction in double-coil technology.

Circuit function	Port connection	Orifice	K <sub>v</sub> -value water	Max. pressure difference			Coil size	Article no. acc. to voltage	
				Water	Oil	Air		24 V AC/DC	230 V AC/DC
		[mm]	[m <sup>3</sup> /h]	[bar]	[bar]	[bar]	[mm]		
<b>G internal thread, Stainless steel body, seal material PCTFE/FKM</b>									
<b>A, solenoid valve</b> 2/2 way Servo-controlled Normally closed 	<b>Pressure rating up to up to 160 bar</b>								
	G ¼	6.0	0.6	1...160	1...120	1...160	42 (KD coil)	380806	On request
	G ¾	6.0	0.6	1...160	1...120	1...160	42 (KD coil)	380811	On request
	<b>Pressure rating up to up to 250 bar</b>								
	G ½	12.0	2.2	1...200	1...150	1...250	42	380819	On request
	G ½	12.0	2.2	1...250	1...250	1...250	42 (KD coil)	380821	On request
<b>B, solenoid valve</b> 2/2 way Servo-controlled Normally open 	G ½	12.0	2.2	1...200	1...150	1...250	42 (KD coil)	380848	380850

#### Further versions on request


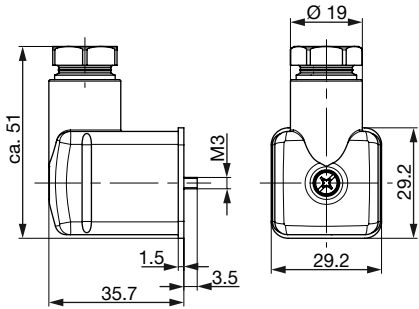
<b>Material</b> Seal: EPDM	<b>Approval</b> Gas transportation DIN EN 3394 - 1 UL(UL-listed) UR(UL-recognized) FDA(Food and Drug Administration) Versions for oxygen applications
<b>Voltage</b> 042/50, 110/50, 240/50	
<b>Process connection</b> Flange connection acc. to DIN 2501 (DN 25...DN 50)	

### 7.14. Ordering chart accessories

#### Cable plug Type 2518, Form A according to DIN EN 175301 - 803

**Note:**


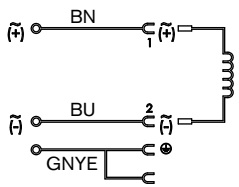
Further versions see data sheet [Type 2518](#) ▶.

Cable plug	Dimensions	Version	Voltage	Article no.
		Without circuitry (AC/DC)	0...250 V AC/DC	314802
		With LED (AC/DC)	12...24 V AC/DC	314812
		With LED and varistor (AC/DC)	12...24 V AC/DC	314820
		With rectifier, LED and varistor	12...24 V AC/DC	314816

#### Cable plug Type 2513, form A acc. to DIN EN 175301 - 803

**Note:**

- The cable plug Type 2513 meets the requirements of ATEX category 3 GD.
- For more information on the cable plug, see data sheet [Type 2513](#) ▶.

Cable plug	Circuit diagram	Cable length [mm]	Article no.
		12000	260893
		5000	260892
		3000	260891
		300	260890

#### Cable glands for ATEX/IECEX terminal box

**Note:**

- A cable gland in polyamide version is included in the delivery. A nickel-plated brass version can be ordered at surcharge.
- For more information on Ex cable glands, see [“6.1. Cable glands for ATEX/IECEX terminal box” on page 13.](#)


Description	Article no.
Ex cable gland, brass, nickel-plated, 6...13 mm <sup>1.)</sup>	773278
Ex cable gland, polyamide, 7...13 mm <sup>1.)</sup>	773277
Set SC02-AC10: special wrench <sup>2.)</sup> incl. service manual	293488

1.) Cable diameter

2.) Not included in the scope of delivery of the valve

**Mounting bracket for Type 6027/6240****Note:**

- The scope of delivery includes the mounting bracket, two cylinder screws M4x8 and two spring rings.
- The mounting bracket can be used for all standard and high-pressure versions DN 6 MX31 up to 160 bar including ATEX/IECEX option.
- The mounting bracket cannot be used for the DN 13 version and high-pressure versions MX32 up to 250 bar made from solid material.

Description	Article no.
	282304 

# Bürkert – Close to You

For up-to-date addresses  
please visit us at  
[www.burkert.com](http://www.burkert.com)

DTS 1000089730 EN Version: Z Status: RL (released | freigegeben | validé) printed: 26.04.2021

