

Specifications

Wrapping

Package size Width: 130-380 mm (5.1-15 inches)
 * Height: 10-130 mm (0.4-5.1 inches)
 * Depth: 80-254 mm (3.1-10 inches)

Wrapping speed Max. 36 packages/min.
 Number of film roll One roll
 Film width 300-450 mm (12-18 inches)
 Film length Max. 1,500 m (4,900 feet)

* 150mm (5.9 inches) as factory option
 * The combination of maximum size of each dimensions cannot be used. The size of the package that can be wrapped also depends on the film to use.

Weighing

Interval type	Multi-interval		Single interval
Capacity	Max. 3/6kg	Max. 6/15kg	Max. 30 lb
Scale interval	e=1/2g	e=2/5g	e=0.01 lb
Weighing range	20g-6kg	40g-15kg	0.20-30 lb
Max. wrapping capacity	5kg	5kg	11 lb

Printer and labeler

Type Thermal printer
 Dot density 12 dot/mm (300dpi)
 Printing width 40-80 mm (1.6 to 3.1 inches)
 Printing length 28-105 mm (1.1 to 4.1 inches)

Label size Width: 40-80 mm (1.6-3.1 inches)
 Length: 28-105 mm (1.1-4.1 inches)
 Label roll diameter Max. 210 mm (8.2 inches)
 Label roll core diameter 76 mm (3.0 inches)

Operation console

Display panel TFT LCD color (15 inches) touch panel
 Operation keys Mechanical keys and touch screen
 Memory for programmable files 18GB

General

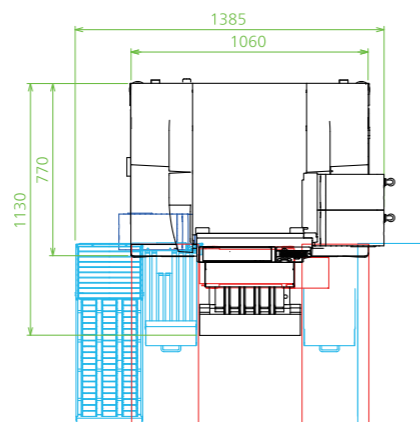
Power source and power consumption • 208-240V; 1Ø/3Ø; 60Hz; 2.2kVA, 2.2kW
 • 220-240V; 1Ø; 50/60Hz; 2.2kVA, 2.2kW
 Dimensions 1410/55.5(W)×1535/60.4(D)×1465/57.7(H) mm/inches
 Net weight Approx. 400kg/882 lb (Single Labeler Type)
 Operation humidity 90%RH (max.) with no condensation

Options

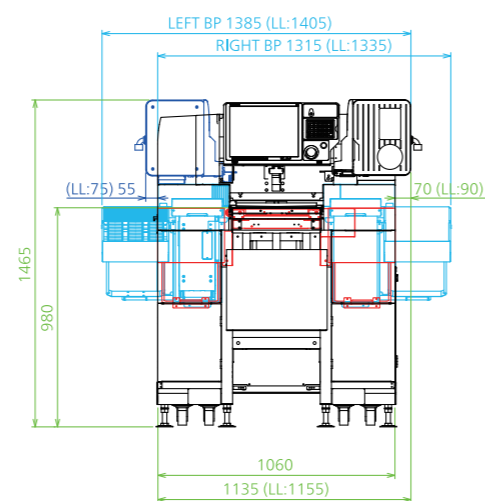
- POP Labeler
- Second Labeler
- Bottom Labeler

Dimensions

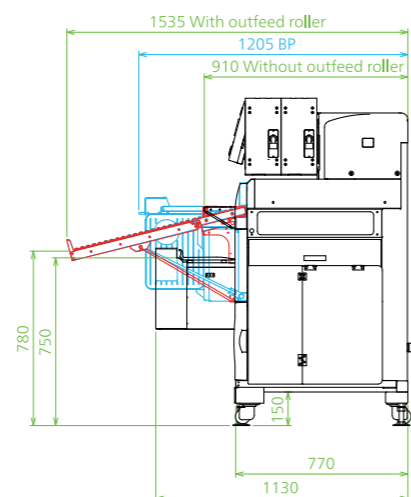
Top View



Front View



Side View



AW-5600ATII

Fully integrated weigh-wrap-label system



*Specifications are subject to change without prior notice.

TERAOKA SEIKO Co., Ltd.

13-12 Kugahara 5-chome, Ohta-ku,
 Tokyo 146-8580 JAPAN
 www.digisystem.com

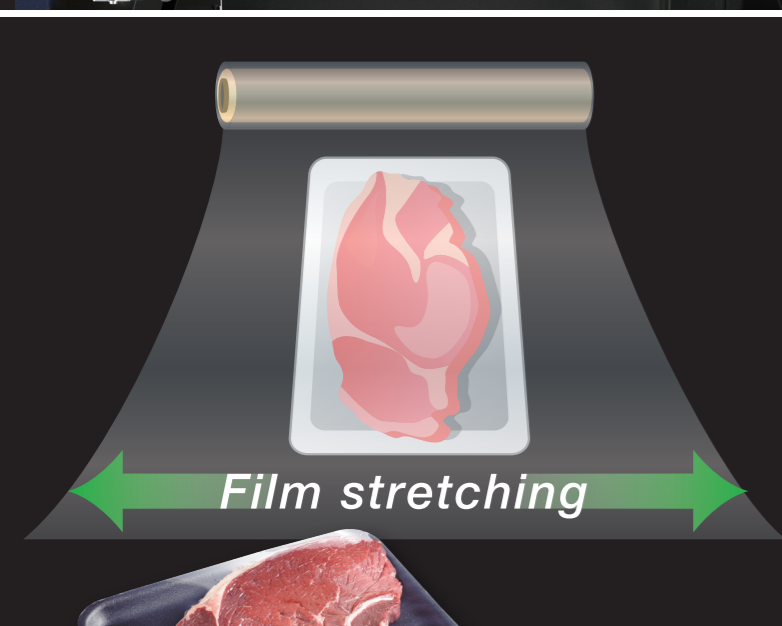
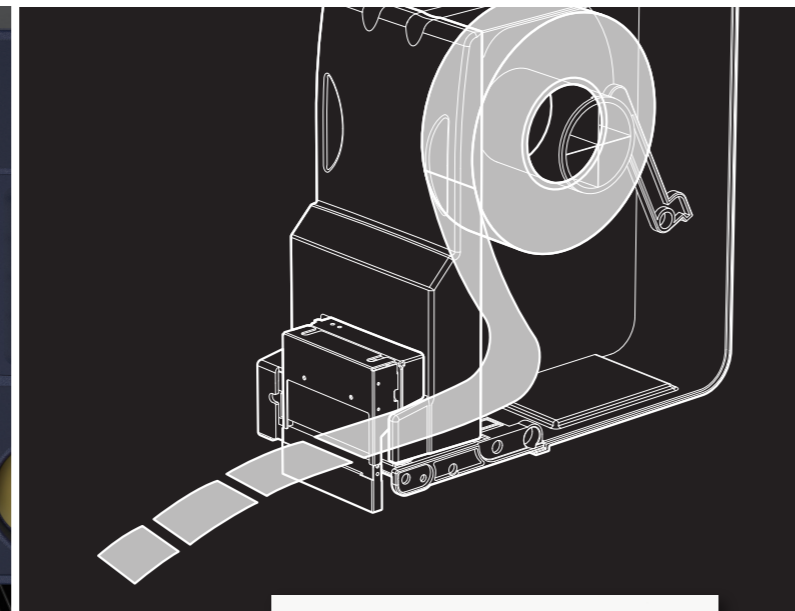
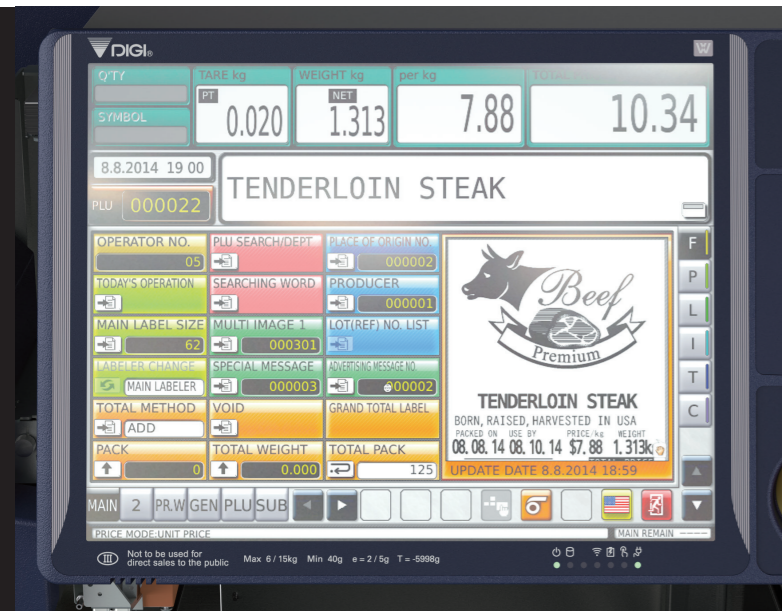


A1808SVMF

Searching for a New Balance

AW-5600ATII strongly and efficiently supports the prepackaging operation and lowers total costs

The AW-5600ATII is a compact but robust weigh-wrap-label system. Super-wrap technology smooths the prepackaging operation and reduces film consumption, drastically increases the efficiency of the total operation.



User friendly extra-large 15" full color touch screen

- Preset and frequently used function keys can be assigned for quick access. Size, color and location can be changed to suit your operation.
- Label print content can be previewed on the display, helping to prevent labeling errors.
- Extremely large memory easily supports increasing need for print items.

Super-stretch technology removes tedious adjustments

- DIGI's unique super-stretch technology allows dynamic film savings.
- AW-5600ATII automatically determines the optimum wrapping conditions required to wrap the package.
- The film will be stretched to the required size to wrap the package enabling one roll of film to cover most of the trays in a store.



Actual size

New 80mm width 300 dpi thermal head

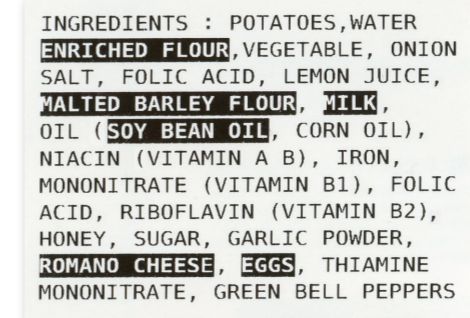
A new 300 dpi thermal head enables clear and crisp label print. The 80mm of print width still allows large label sizes to be used for more information when needed. Head security function is equipped as standard, to prevent dot missing.

Accurate label placement

Robot arm labeling system automatically applies labels on the trays. The position and the angle can be selected per PLU.



Linerless labels can be applied by all labelers, including the bottom labeler.



Labeling options

AW-5600ATII can be equipped with several labeler options.

- Twin labeler
- POP labeler
- Bottom labeler

Small foot print

AW-5600ATII requires a small area for installation.

Easy film change

Easy film loading can be done from the front of the machine making operation downtime minimal.

Featuring linerless labeling

A new dimension for backroom operations. Eliminate liner waste and increase flexibility and profits.



ex. 86mm ▶ 60mm

No more wasted white space on big labels

The auto-label-sizing feature eliminates unused space on the label and automatically adjusts the label size. This reduces the label cost and makes labels more attractive.

Increased flexibility in label format

The auto-cut feature cuts from a continuous strip of linerless labels every time a label is printed. Variable label layouts and sizes can be printed from a single roll.

