

DAMS Water Sprayer and Sesame Machine / DSSM-50



Sulama Susamlama

MACHINE WIDTH	1010 mm
MACHINE LENGTH	1010 mm
MACHINE HEIGHT	860 mm
MACHINE WEIGHT	90 Kg



GENERAL FEATURES

- Our machine is used in bagel, roll, sandwich and hamburger breads.
- Machine settings can be made on PLC and digital display.
- These settings are saved in the recipe and do not want to be re-adjusted in product change.
- Machine chassis is made of 304 Cr-Ni sheet metal.
- It has the feature of spraying the desired amount of water, eggs, slurry and molasses on top of the products in the flat tray or molded tray.
- At the same time, it can sprinkle the desired amount of granular materials such as sesame, bran, kernel, rye on the products on the flat tray or molded tray.
- It is simple to use and clean.
- It can be installed on the lines as required.

Note: Since there are pneumatic pistons on the machine, air of minimum 4 bar pressure is required for the operation of the machine. 5 * 2.5 multiple cables must be use for electricity. In order to prevent damage to the automation products used in the machine, a suitable regulator is recommended to prevent voltage fluctuations in electricity.

Best Regards,



DAMS
All around the world
Offers only perfection



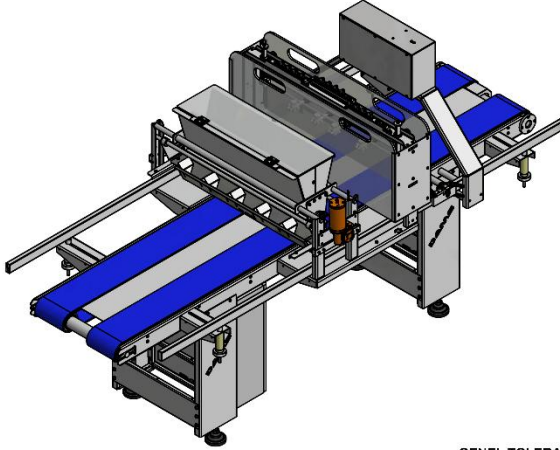
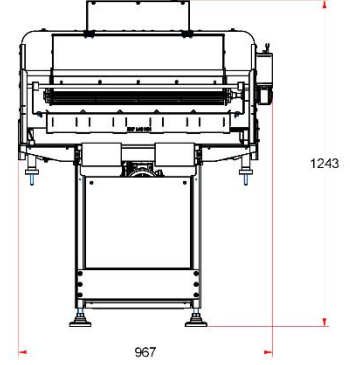
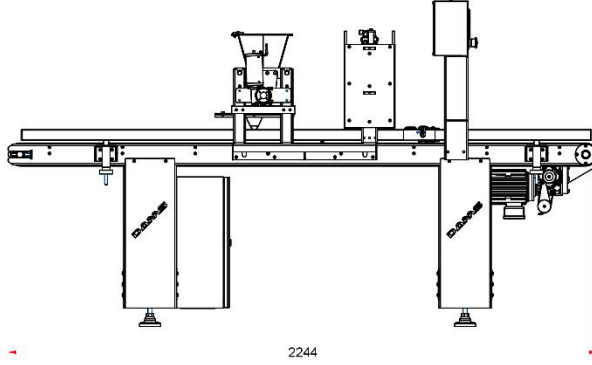
Sulama Susamlama



Sulama Susamlama



Sulama Susamlama



GENEL TOLERANS $\pm 0,1$

TADILAT NO	TADILAT TARİHİ	ADI SOYADI	TADILAT NEDENİ		
	TARİH	ADI-SOYADI	İMZA	MALZEME	
ÇİZEN	27.09.2017	E.ÖZYENGINER			
KONTROL-1		E.ÖZYENGINER			
KONTROL-2					
				328.401 kg	
ÖLÇEK	1 : 12	SULAMA-SUSAMLAMA		ADET	RESİM NO:
				1	KFS01-1703-00.00