

DAMS Bread Slicer/Splitter with Feeder / DEKB-20



DAMS Tekli Ekmek Kesme (Yarma)

TECHNICAL SPECIFICATIONS	
MAX. POWER	2 kW
VOLTAGE	220V
MAX. CURRENT	10A
MACHINE WIDTH	1420 mm
MACHINE LENGTH	1990 mm
MACHINE HEIGHT	1230 mm
MACHINE WEIGHT	230 kg





GENERAL FEATURES

- It is used in splitting (cutting/ slicing) the sandwich and hamburger breads before packaging.
- Circular blade is used, this blade is easy to remove and install.
- 304 Cr-Ni is manufactured on the surfaces that the product touches.
- The bands used are suitable for food. Product feeding is done manually.
- There are three adjustment arms;

- First Setting Arm

It is top pressing setting. The top band is adjusted according to the thickness of the bread to be split and the bread is prevented from flying during cutting.

- Second Setting Arm

The blade is adjusted up and down. Thanks to this setting, the point of bread to be cut is determined.

- Third Setting Arm

Splitting (cutting/slicing) depth is adjusted.

- These settings are made manually.
- A metal sensor on the machine shuts down the upper band, stopping all running motors and protects against possible operator failures.

Best Regards,



DAMS
All around the world
Offers only perfection





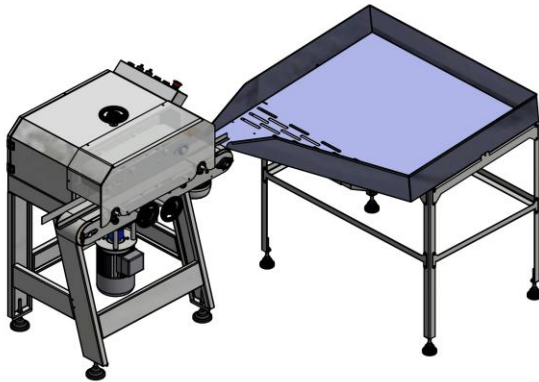
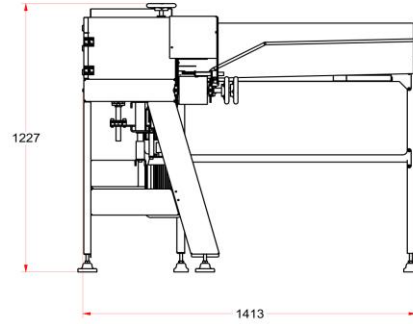
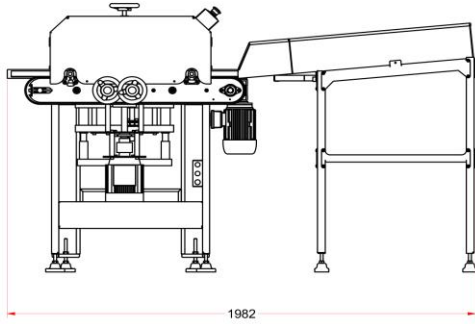
DAMS Tekli Ekmek Kesme (Yarma)



DAMS Tekli Ekmek Kesme (Yarma)



DAMS Tekli Ekmek Kesme (Yarma)



TADİLAT NO/TADİLAT TARİHİ	ADI SOYADI	TADİLAT NEDENİ			
ÇİZEN	TARİHİ	ADİ-SOYADI	İMZASI	MALZEME	
KONTROL-1	2.05.2016	E.ÖZYENGINER			
KONTROL-2		E.ÖZYENGINER			
				230,565 kg	
ÖLÇEK	1 : 13	SANDWICH YARMA		ADET	RESİM NO:
				1	YRM01-0000-00.01

GENEL TOLERANS $\pm 0,1$