

DAMS Long Conveyor Packaging Machine without Feeder / DUKS-50



DAMS Long Conveyor Packaging Without Feeding / DUKS-50

TECHNICAL SPECIFICATIONS

MAX. POWER	3 Kw
VOLTAGE	380 V
MAX. CURRENT	25 A
CONTROL	PLC-Touch Screen
Compressor Air Requirement	5-6 Bar

MACHINE FEATURES

CAPACITY MAX.	180 pcs/mn
MACHINE WIDTH	910 mm
MACHINE LENGTH	3740 mm
MACHINE HEIGHT	1690 mm
MACHINE WEIGHT	800 Kg
PACKAGE WIDTH	20 - 140 mm
PACKAGE LENGTH	100- 250 mm
PACKAGE HEIGHT	20 - 60 mm
CAPACITY MAX.	180 pcs/mn
MAX. BOBBIN WIDTH	500 mm
MAX. Cellophane COIL DIAMETER	350 mm
INTERNAL DIAMETER OF THE BOBINE	3 "



## GENERAL SPESIFICATIONS

- Roll, Sandwich Hamburger and similar sized products and Francala Bread are individually wrapped.
- Our machine has a servo motor system.
- Thanks to the touch screen and PLC on the machine, product package length, photocell adjustment and machine speed can be adjusted as desired.
- There is a sensor control system that prevents jamming of the product. If the product location is not correct, it stops the machine.
- All surfaces and covers that are in contact with the product in the machine are made of 304 quality chrome-nickel metal.
- Rotating jaw system.
- It packs 115 products per minute (roll, sandwich hamburger and similar products), and 83 products per minute in Francala Bread.
- It easy to use.
- Optionally, it is produced so that a coding device can be mounted on the machine.
- Cellophane bobbin is easy to disassemble and install, the place where it is mounted is an air system and PLC controlled shaft.
- Since the bottom sealing system of the packaging is pneumatic and PLC controlled, the settings of the packaging material are made without wasting time.

Best Regards,



DAMS  
Offers only perfection  
All around the world

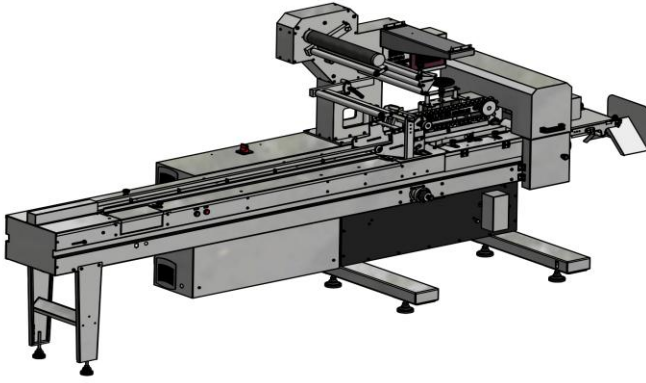
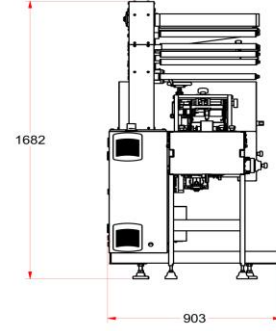
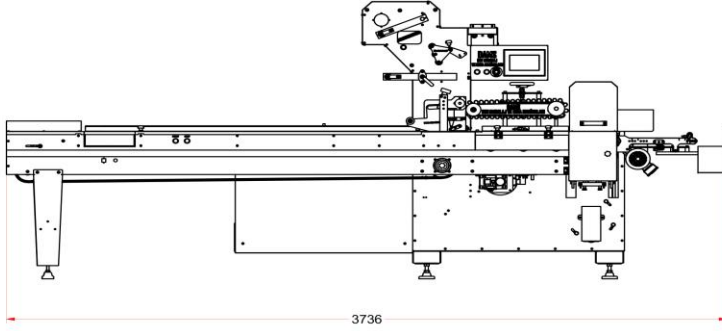




DAMS Long Conveyor Packaging Without Feeding / DUKS-50



DAMS Long Conveyor Packaging Without Feeding / DUKS-50



GENEL TOLERANS  $\pm 0,1$

1		ADI SOYADI	TADILAT NEDENI	
TADILAT NOTU	TARİHİ	ADI SOYADI	İMZA	MALZEME
ÇİZEN	18.01.2016	E.ÖZYENİNER		
KONTROL-1		E.ÖZYENİNER		
KONTROL-2				
				647,406 kg
ÖLÇEK	1 : 17	UZUN KONVEYÖRLÜ PAKETLEME MAKİNESİ		ADET
				1
				RESİM NO:
				PK01-05.02