

DAMS 6 Rows Dough Cut and Weigh Machine / DAKY-11



TECHNICAL SPECIFICATIONS			
MACHINE WIDTH	1480 mm	VOLTAGE	380 V
MACHINE LENGTH	2220 mm	CURRENT	25 Amper
MACHINE HEIGHT	1840 mm	FREQUENCY	50 Hertz
MACHINE WEIGHT	1700kg	MAX. POWER	5 kW
CAPACITY (Average)	11,000 pcs / h	AVERAGE POWER	4 kW



## GENERAL SPECIFICATIONS

- The settings are made easily from the PLC-controlled touch screen.
- Mechanical settings are simple to use and easy to learn.
- Information on usage can be stored in memory and used continuously.
- Daily cleaning is easy.
- It is easy to disassemble, install and replace belts and running parts.
- The speeds of all belts can be adjusted to the desired level.
- Electrical and electronic faults that may occur are displayed on the PLC screen with pic and text.
- In case of malfunction, remote access can be performed with PLC program (Optional)

## CUTTING SECTION

- Machine body is 304 crom. The contact surfaces of the dough are 304 crom and crom coating.
- Cutting grammage ranges as below;
  - 30 – 110 gr
  - 40 – 160 gr
  - 50 – 180 gr
  - 70 – 200 gr
- Different outer drums are used for dough cutting in these weight ranges.
- Average roll bread dough cutting and rounding capacity is 11.000 in 1 hour.
- Maximum 11,000 pieces of hamburgers and pastry dough per hour, the average of
- 7,000 pieces of bagel and sandwich dough.
- Since very little flour is used in the dough section, it provides a clean working environment.
- The amount of flour given to the cut dough can be adjusted.
- The lubrication system is automatically adjusted during the dough cutting process.
- Unlike other machines, it does not wear pulp due to non-pressurized cutting.

**Note:** Since there are pneumatic pistons on the machine, air of minimum 4 bar pressure is required for the operation of the machine. 5 \* 2.5 multiple cables must be use for electricity. In order to prevent damage to the automation products used in the machine, a suitable regulator is recommended to prevent voltage fluctuations in electricity.

Best Regards,



DAMS  
All around the world  
Offers only perfection



DAMS Kafa



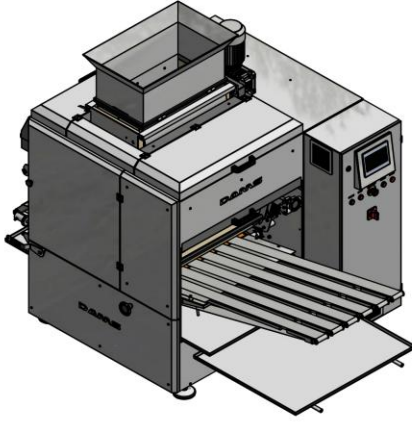
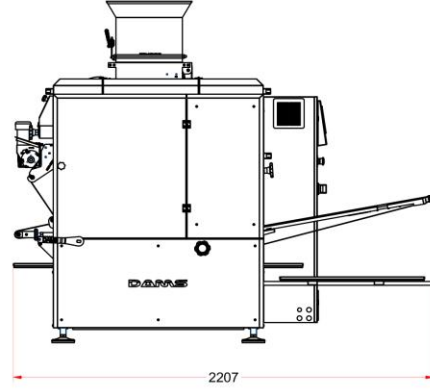
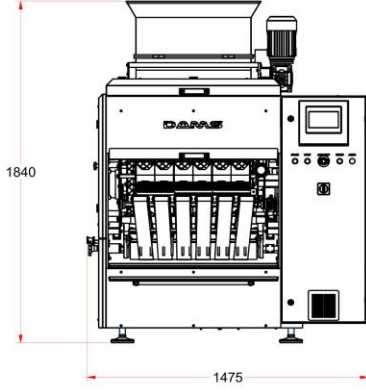
DAMS Kafa



DAMS Kafa



DAMS Kafa



TADILAT NO	TADILAT TARİHİ	ADI SOYADI	TADILAT NEDENİ		
	TARİH	ADI-SOYADI	İMZASI	MALZEME	
ÇİZEN	13.09.2018	E.ÖZYENGINER			
KONTROL-1		E.ÖZYENGINER			
KONTROL-2					
				2685,400 kg	
ÖLÇEK	1 : 17	6 LI KESME YUVARLAMA		ADET	RESİM NO:
				1	KFS01-0002-00.00