

LIQUID RING VACUUM PUMPS

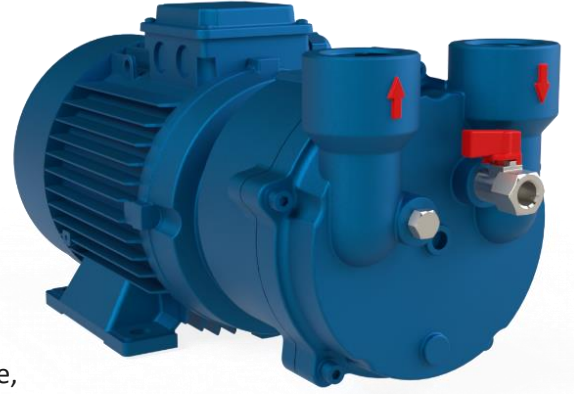
GMVP 145/050 – GMVP 145/080

PRESSURE RANGE : 0.98 – 30 inHg / 33 – 1013 mbara

SUCTION CAPACITY : 20 – 83 cfm / 35 – 141 m³/h

GÜCÜM single stage liquid ring vacuum pumps offer the following features with its monoblock structure;

- Operate safely and efficiently,
- Vacuum of all kinds of gases and vapors is ensured,
- Lesser amounts of liquid can also be vacuumed,
- The compression of the absorbed gases is isothermal,
- The rotating parts make no metallic contact,
- Operate quietly and without vibration,
- Low operating and investment costs,
- Can be used in any environment with a wide choice of materials.
- They operate at high efficiency for a long time without maintenance,
- It is oil-free and does not require any lubricant in its work environment,



APPLICATION

Pumps are used for the discharge of dry and humid gases (containing vapor) and a certain amount of water. It can be used in all areas where absolute pressure between 1013 and 33 mbar is required.

ADDITIONAL NOTE

During operation, the pump must be continuously supplied with liquid (usually water) to replenish the water from the exhaust line and to reduce the pump temperature. The water discharged from the pump is separated from the gas and is suitable for reuse.

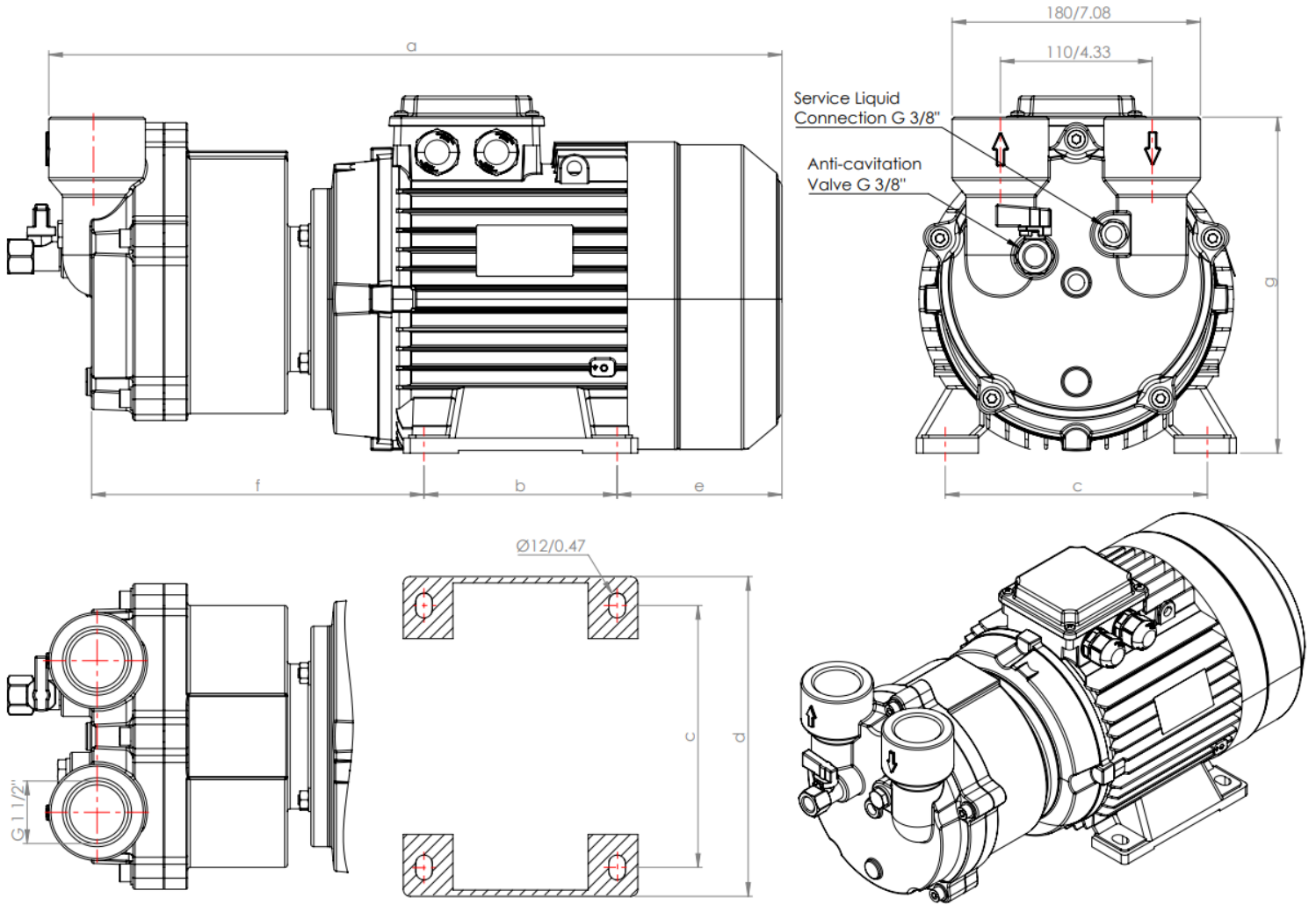
The direction of shaft rotation is clockwise when viewed from the motor side.

A standard mechanical seal ensures tightness.

It must be driven directly with the electric motor instead of using a coupling.

TECHNICAL FEATURES		
Maximum allowable pressure differential	1.1	bar
Highest saturated air temperature	100	°C
Highest dry air temperature	200	°C
Highest service water temperature	70	°C
Highest service water viscosity	4	mm ² /sec
Noise level (at 80 mbar vacuum)	70 ±3	dB A
Highest density of service water	1200	kg/m ³
Highest heat exchanger flow resistance	0,2	bar

OVERALL DIMENSIONS

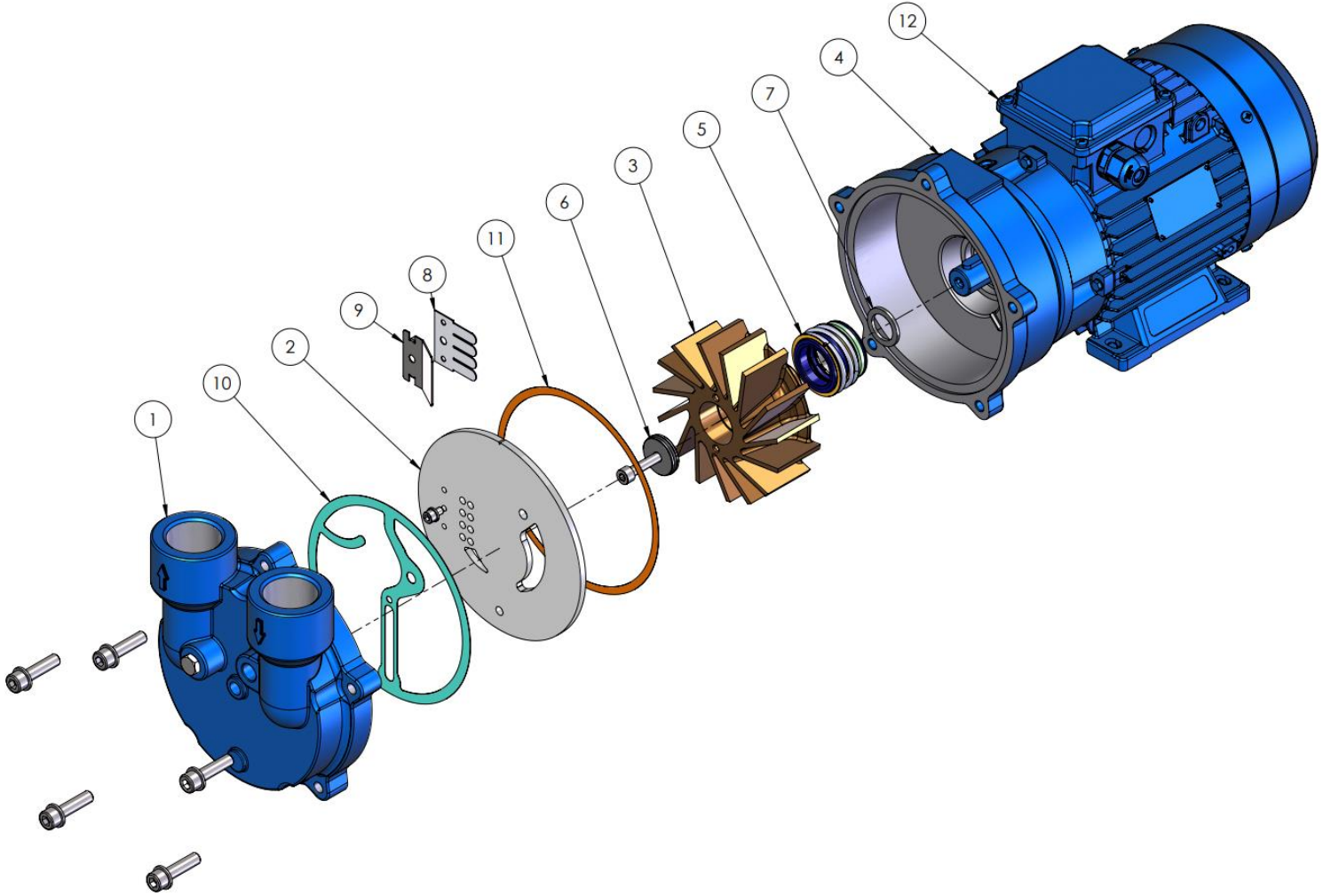


MODEL	50 Hz.	a	b	c	d	e	f	g	Weight
		mm / inch							kg / lbs
GMVP 145/050		458 / 18.03	125 / 4.92	140 / 5.51	184 / 7.24	107 / 4.21	195 / 7.67	222 / 8.74	32 / 70
GMVP 145/080		530 / 20.86	140 / 5.51	190 / 7.48	232 / 9.13	120 / 4.72	241 / 9.48	245 / 9.64	47 / 104

MODEL	60 Hz.	a	b	c	d	e	f	g	Weight
		mm / inch							kg / lbs
GMVP 145/050		500 / 19.68	140 / 5.51	190 / 7.48	232 / 9.13	120 / 4.72	211 / 8.3	222 / 8.74	38 / 84
GMVP 145/080		530 / 20.86	140 / 5.51	190 / 7.48	232 / 9.13	120 / 4.72	541 / 9.48	245 / 9.64	61 / 134

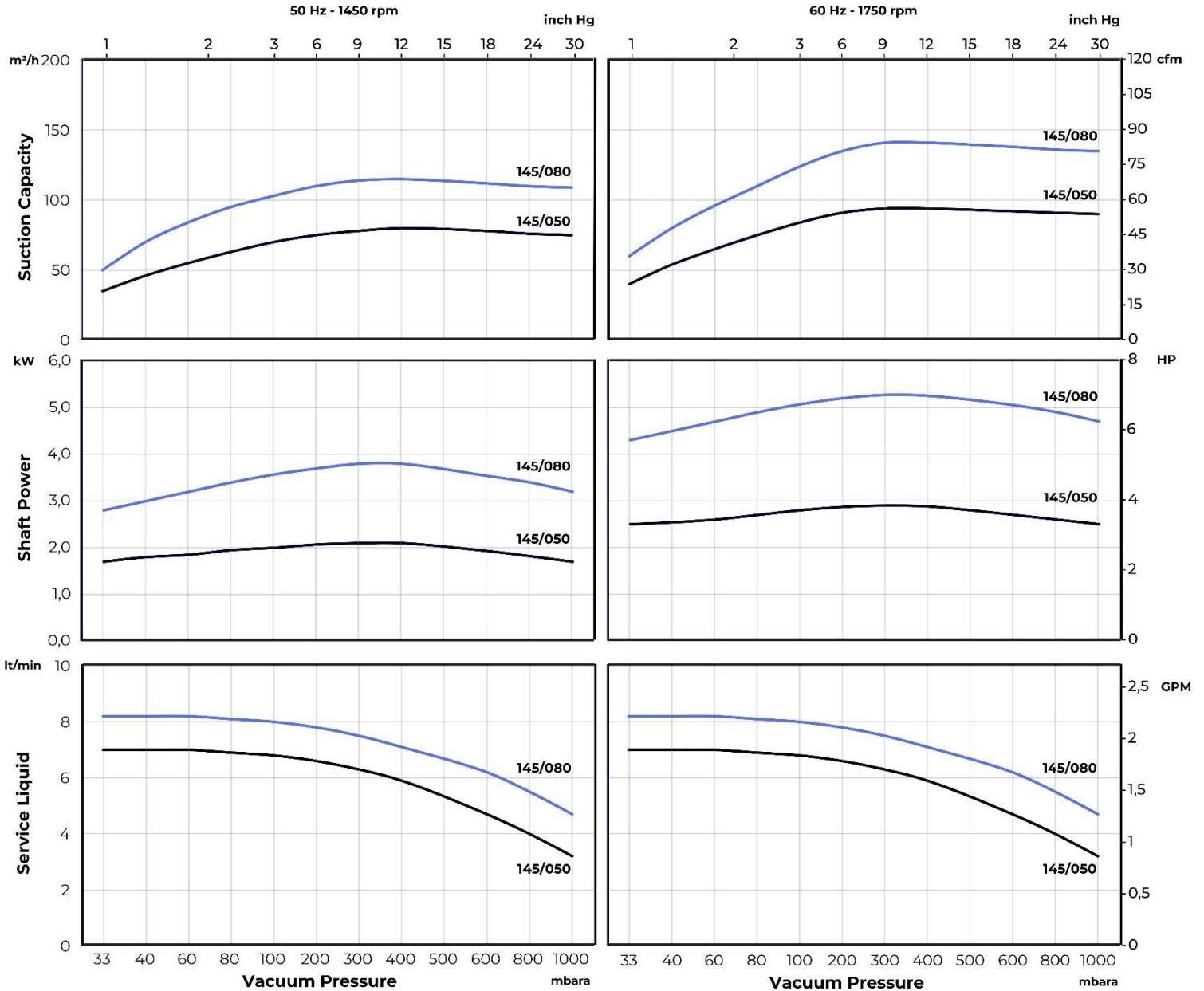
Motor Specifications								
Type	50 Hz	60 Hz	50 Hz			60 Hz		
	Frame Size – Flange Type		rpm	kW	HP	rpm	kW	HP
GMVP 145/050	90L – B34	112M – B34	2850	2.2	3	3450	3	4
GMVP 145/080	112M – B34	132S – B34	2850	4	5.5	3450	5.5	7.5

EXPLODED VIEW AND PART LIST



PART LIST	Cast Iron	Nodular Cast Iron	AISI 420	AISI 304	AISI 316	Bronze	St-37	Qty.
1. Suction & Discharge Casing	✓			✓	✓			1
2. Plate				✓	✓			1
3. Impeller				✓	✓	✓		1
4. Body		✓		✓	✓			1
5. Mechanical Seal	MG1 – $\varnothing 35/\varnothing 45$ – G6 / SiC – Carbon – Viton							1
6. Impeller Cover				✓	✓			1
7. Impeller Washer				✓	✓			1
8. Valve	PTFE							1
9. Valve Cover				✓	✓			1
10. Casing Gasket	Klingrite							1
11. Body Gasket	Paper							1
12. Electrical Motor	Aluminum Frame							1

CHARACTERISTIC CURVES



Suction Capacity		
Type	50 Hz	60 Hz
GMVP 145/050	35 – 80 m ³ /h / 20 – 47 cfm	40 – 94 m ³ /h / 23 – 55 cfm
GMVP 145/080	50 – 115 m ³ /h / 29 – 68 cfm	60 – 141 m ³ /h / 35 – 83 cfm

The above characteristic curves have been prepared in accordance with ISO 21360 standards. The curves are valid for the vacuum of 15°C service water and 20°C dry air supplied to the liquid ring vacuum pump at atmospheric pressure (760 mmHg / 1013 mbar). The values in the chart have a tolerance of ±10%.

Characteristic curves vary under different operating conditions.